



# IO-100 Series

Stainless Steel Patio Heater



\*Also available in black finish.



## Keep your outdoor restaurant patio open all year long!

If your outdoor restaurant patio isn't already heated then you are leaving money on the table by relying on warm weather to keep your patio open.

Thanks to the affordability and performance of the **IO-100 Series** outdoor patio heater, you can keep your patio open during colder temperatures and create the perfect patio ambiance for your customers.



Warm customers = happy customers = more profits

## Features

- Made with **316 Marine Grade Stainless Steel** to prevent rusting
- Black or Stainless Steel enclosure to enhance the aesthetics of your patio
- Overhead mounting leaves more space for seating and keeps aisles clear
- Built in gas lines eliminate portable propane tanks, making the patio more efficient on your gas bill and safer for customers

**Optional Accessories** See back for more details.

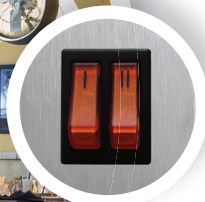
- Patio Remote Control
- Patio Panel
- Wall mounting brackets and arm kits

## Also Available in a 2-Stage Model

The all new **Infrasave IO-152** provides dual heat settings for controlled comfort.

Contact us today for a **FREE** design and quote!

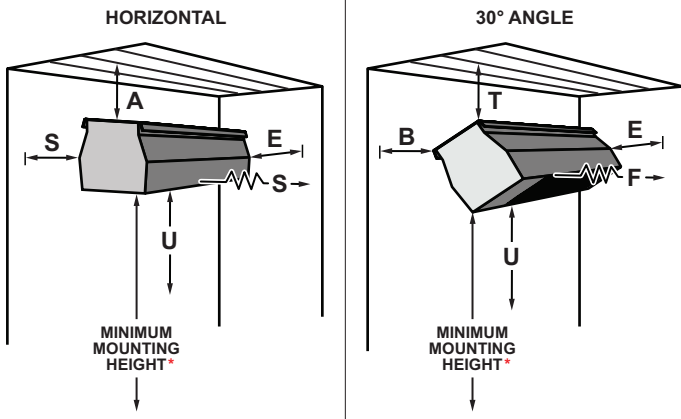
◀ Whole Foods Market, Palm Desert, California



# IO-100 Series - Technical Specifications, Controls, and Accessories

Information below is intended only as a reference and should not be used when installing equipment. Please ensure you locate the most recent instruction manual for accurate and up to date information.

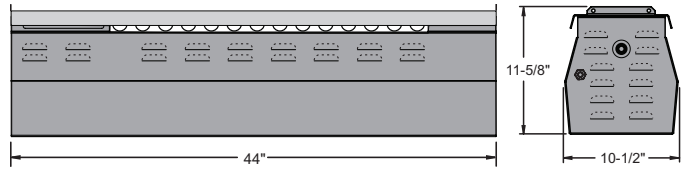
## Clearances to Combustibles



MODEL		HORIZONTAL		30° ANGLE				
		E ENDS	U UNDER	A ABOVE	S SIDES	T ABOVE	B BACK	F FRONT
IO-135	OUTDOOR	14"	*	13"	14"	17"	9"	60"
IO-135	INDOOR	14"	45"	18"	18"	20"	11"	60"
IO-150/152	OUTDOOR	14"	*	16"	19"	20"	8"	62"
IO-150/152	INDOOR	14"	60"	21"	23"	25"	10"	62"

Note: For mounting angles between horizontal and 30°, use the higher applicable clearance.

## Dimensions and Specifications



MODEL	INPUT BTU/HR	TOTAL WEIGHT	HEATER LENGTH	VOLTAGE AC	CURRENT AMPS
IO-135-N/L	35,000	39 lb.	44"	24	40 VA**
IO-150-N/L	50,000	44 lb.	44"		
IO-152-N	50,000/36,500	44 lb.	44"		

\*\* For multiple heater installations: 40VA for the first heater and 20VA for each additional heater

## Mounting Height Above Floor/Deck

	MODEL IO-135	MODEL IO-150/152
Minimum Mounting Height*	8'-0"	9'-0"
Suggested Height for Comfort	9'-0"	10'-0"

\* Mounting heights are suggested and are subject to site conditions and the separation distance between heater and closest subject. If in doubt contact your Infrasave distributor. Series 2100 is design certified for outdoor use in accordance with current ANSI standards. Infrasave warrants that the heater will operate as certified in wind conditions up to 10 mph. Please note that adverse wind condition will reduce the effectiveness of the heater.

## Heater Controls

### Remote Control [Single Stage Only]

Full Control Right at Your Fingertips



- Includes wires and instructions
- Receiver and handset are required
- Control up to 4 individual heaters or up to 4 zones with multiple heaters in each zone
- Wireless remote control keypad transmitter is optional
  - Weather resistant: outdoor or indoor installation
  - No more misplaced handsets

Hand set is required for master programming of receiver or keypad

Note: Remote Control and patioPanel are not compatible with electric heater series or Parasol series

### patioPanel [Single Stage Only]

Immediate Comfort With the Flick of a Switch



- Central/Remote control of single-stage heater systems
- patioPanel and switches have 24 volt capacity
- Control up to 12 heaters at a time
- For best comfort control, assign one heater to each patioPanel switch
- Easy to use and configure

#### Models Available:

PCP-4 (Up to 4 heaters),  
PCP-8 (Up to 8 heaters),  
PCP-12 (Up to 12 heaters)

24 Volt transformer not included

### 2-Stage Control Switches

Dual Heat Settings for Controlled Comfort



- Low-High Stage Control Illuminated Switches
- Brushed stainless steel plate cover
- Standard electrical box to suit is supplied
- 24Vac capacity (install system transformer prior to switches)
- Each switch controls from 1 to 4 heaters in a zone

Compatible only with 2-Stage heater models

## Optional Accessories

Each IO-100 series heater is supplied with a hanging bracket for overhead suspension

Wall mounting bracket (30° mounting angle)	JP-2100-MB
Wall mounting arm kit	JP-2300-MK
Post mounting kit	JP-2300-PK
Black Flexible Gas Connector	JL-0771-OD

Distributor info:

Additional resources:



Installation Manual



Replacement Parts List



Find a Distributor

Our customers include:



USA: 2 Schwank Way, Waynesboro, GA 30830 | Canada: 5285 Bradco Blvd. Mississauga, ON L4W 2A6  
Tel: 1-877-446-3727 | Fax: 1-866-361-0523 | www.infrasave.com | csr@infrasave.com



M11114 RL: v2.0 RD: Jul-2019