

# Transformers

## AT120; AT140; AT150A,B; AT175A,B General Purpose Transformer



AT120A

AT140A

AT120B, AT140B, AT140D, AT150B

AT150A

AT175A

Honeywell 20 VA general purpose transformers power 24 Vac circuits. Although typically used in heating/cooling control systems, they can be used in any application that doesn't exceed the load ratings.

- Provides color-coded leadwires for primary connections and screw terminals for secondary connections
- Includes fixed 1/4 inch (6mm) male quick-connects or color-coded leadwires for primary and secondary connections
- Meets NEC Class 2 requirements and Underwriters Laboratories Standard UL 1585
- Identified Class 2 not wet, Class 3 wet

Frequency: 60 Hz

Approvals, Underwriters Laboratories Inc.: UL Listed: A,C,F models.

File # E14881, UL Component Recognized: B, D, E models. File# E14881

Approvals, CSA: CSA Certified: A & B models.

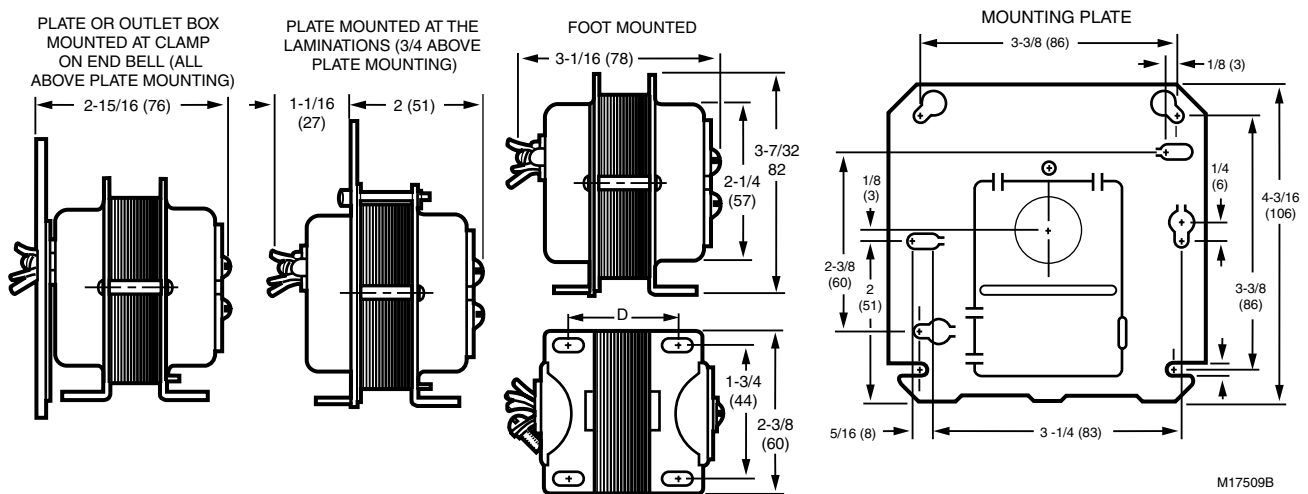
Approvals, N.E.C.: NEC Class 2

Temperature Range: -20°F to +105°F (-29°C to +41°C)

Material Number	Electrical Connections (Primary)	Electrical Connections (Secondary)	Electrical Ratings-Primary voltage	Electrical Ratings-Secondary voltage	Electrical Ratings, Output	Mounting	Approximate, Dimensions	Includes
AT120A1004/U	9 in. leadwires (229 mm leadwires)	(2) screw terminals	120 Vac, 208 Vac, 240 Vac	27 V.O.C.	24 Vac at 20 VA	Foot mounted, plate mounted on 2 x 4 in. or 4 x 4 in. outlet box, clamp mounted using outlet box knockout, or panel mounted	2 7/8 in. high x 1 7/8 in. wide x 2 15/16 in. deep (73 mm high x 48 mm wide x 75 mm deep)	
AT120B1028/U	9 in. leadwires (229 mm leadwires)	9 in. leadwires (229 mm leadwires)	120 Vac	27 V.O.C.	24 Vac at 20 VA	Foot-mounted	1 11/16 in. high x 3 3/16 in. wide x 1 3/4 in. deep (43 mm high x 81 mm wide x 75 mm deep)	Metal end bells
AT140A1000/U	9 in. leadwires (229 mm leadwires)	(2) screw terminals	120 Vac	27 V.O.C.	24 Vac at 40 VA	Foot mounted, plate mounted on 2 x 4 in. or 4 x 4 in. outlet box, clamp mounted using outlet box knockout, or panel mounted	3 3/16 in. high x 2 3/8 in. wide x 3 1/8 in. deep (81 mm high x 60 mm wide x 79 mm deep)	Metal end bells
AT140A1018/U	9 in. leadwires (229 mm leadwires)	(2) screw terminals	120 Vac	27 V.O.C.	24 Vac at 40 VA	Foot mounted, plate mounted on 2 x 4 in. or 4 x 4 in. outlet box, clamp mounted using outlet box knockout, or panel mounted	3 3/16 in. high x 2 3/8 in. wide x 3 1/8 in. deep (81 mm high x 60 mm wide x 79 mm deep)	Metal end bells
AT140B1016/U	1/4 in. male quick-connects (6.4 mm male quick connects)	1/4 in. male quick-connects (6.4 mm male quick-connects)	120 Vac	27 V.O.C.	24 Vac at 40 VA	Foot-mounted	1 11/16 in. high x 3 1/2 in. wide x 1 3/4 in. deep (43 mm high x 89 mm wide x 75 mm deep)	Plastic end caps
AT140B1206/U	9 in. leadwires (229 mm leadwires)	9 in. leadwires (229 mm leadwires)	120 Vac	27 V.O.C.	24 Vac at 40 VA	Foot-mounted	1 11/16 in. high x 3 1/2 in. wide x 1 3/4 in. deep (43 mm high x 89 mm wide x 75 mm deep)	Plastic end caps
AT140B1214/U	9 in. leadwires (229 mm leadwires)	9 in. leadwires (229 mm leadwires)	120 Vac, 208 Vac, 240 Vac	27 V.O.C.	24 Vac at 40 VA	Foot-mounted	1 11/16 in. high x 3 1/2 in. wide x 1 3/4 in. deep (43 mm high x 89 mm wide x 75 mm deep)	Plastic end caps
AT150A1007/U	9 in. leadwires (229 mm leadwires)	(2) screw terminals	120 Vac, 208 Vac, 240 Vac	27.5 V.O.C.	24 Vac at 50 VA	Foot mounted, plate mounted on 2 x 4 in. or 4 x 4 in. outlet box, clamp mounted using outlet box knockout, or panel mounted	1 11/16 in. high x 3 3/16 in. wide x 1 3/4 in. deep (43 mm high x 81 mm wide x 75 mm deep)	Metal end bells

Material Number	Electrical Connections (Primary)	Electrical Connections (Secondary)	Electrical Ratings-Primary voltage	Electrical Ratings-Secondary voltage	Electrical Ratings, Output	Mounting	Approximate, Dimensions	Includes
AT150B1146/U	9 in. leadwires (229 mm leadwires)	9 in. leadwires (229 mm leadwires)	120 Vac, 208 Vac, 240 Vac		24 Vac at 50 VA	Foot-mounted	1 11/16 in. high x 3 1/2 in. wide x 1 3/4 in. deep (43 mm high x 89 mm wide x 75 mm deep)	
AT150B1252/U	9 in. leadwires with 1/4 in. male quick-connects (229 mm leadwires with 1/4 in. male quick-connects with plastic (2) end covers)	9 in. leadwires with 1/4 in. male quick-connects with plastic (2) end covers (229 mm leadwires with 6.4 mm male quick-connects with plastic (2) end covers)	277 Vac	27.5 V.O.C.	24 Vac at 50 VA	Foot-mounted	1 11/16 in. high x 3 1/2 in. wide x 1 3/4 in. deep (43 mm high x 89 mm wide x 75 mm deep)	Plastic end caps
AT175A1008/U	9 in. leadwires (229 mm leadwires)	(2) screw terminals	120 Vac, 208 Vac, 240 Vac	27.5 V.O.C.	24 Vac at 75 VA	Foot mounted, plate mounted on 2 x 4 in. or 4 x 4 in. outlet box, clamp mounted using outlet box knockout, or panel mounted	3 3/16 in. high x 2 3/8 in. wide x 3 5/8 in. deep (81 mm high x 60 mm wide x 92 mm deep)	Metal end bells
AT175B1055/U	9 in. leadwires (229 mm leadwires)	9 in. leadwires (229 mm leadwires)	120 Vac		24 Vac at 75 VA	Foot-mounted	2 1/3 in. high x 3 9/16 in. wide x 2 1/3 in. deep (59 mm high x 90 mm wide x 68 mm deep)	

### Dimensions in inches (millimeters)



## AT140 Universal Mount Transformer



The AT140 is a 24V, 40 VA universal mount transformer.

- Provides a low voltage power source for any Honeywell zone control panel or damper
- Powers up to 5 ZD or ARD damper motors and 14 RRD damper motors from one 40VA transformer
- Mounting options include plate or foot mounting
- 120/240 VAC primary

**Electrical Connections (Primary):** 9 in. leadwires (229 mm leadwires)  
**Electrical Connections (Secondary):** (2) screw terminals  
**Frequency:** 60 Hz

**Approvals, Underwriters Laboratories Inc.:** UL Listed  
**Approvals, CSA:** CSA Listed  
**Temperature Range:** -20°F to +105°F (-29°C to +41°C)

Material Number	Electrical Ratings-Primary voltage	Electrical Ratings-Secondary voltage	Electrical Ratings, Output	Mounting
AT140A1042/U	208 Vac, 240 Vac	24V	24 Vac at 40 VA	Universal (Plate, Foot or Knockout)

# Transformer Selection Guide

## Transformer Selection Guide

Transformers (NEMA Rated)							
Electrical Ratings - VA	Electrical Ratings - Input Voltage	Product Number	Mounting	Main Connections	Secondary Connections	Frequency	Dimensions (in.) H x W x D
19VA	120 Vac	AT20A1123/U	F	L	L	60Hz/50Hz	2 x 2 1/4 x 1 7/8
40VA	120 Vac	AT72D1006/U	P	L	S	60Hz/50Hz	3 7/32 x 2 7/32 x (1 1/16 into x 2 in. above plate)
	120 Vac	AT72D1089/U	F	L	S	60Hz/50Hz	3 7/32 x 2 7/32 x 3 1/16
	120 Vac	AT72D1188/U	P	L	L	60Hz/50Hz	3 7/32 x 2 7/32 x 2 15/16
	120 Vac	AT72D1683/U	M	L	S	60Hz/50Hz	3 7/32 x 2 7/32 x 3 1/16
	208 Vac, 240 Vac	AT72D1691/U	M	L	S	60Hz/50Hz	3 7/32 x 2 7/32 x 3 1/16
48VA	277 Vac	AT87A1189/U	F	L	L	60Hz/50Hz	2 15/16 x 2 7/32 x 2 1/4
	480 Vac	AT87A1155/U	F	L	L	60Hz/50Hz	2 15/16 x 2 7/32 x 2 1/4
50VA	120 Vac, 208 Vac, 240 Vac	AT87A1106/U	M	L	S	60Hz/50Hz	2 15/16 x 2 7/32 x 2 1/4

Transformers (Not NEMA Rated)								
Electrical Ratings - VA	Electrical Ratings - Input Voltage	Product Number	Mounting	Main Connections	Secondary Connections	Frequency	Dimensions (in.) H x W x D	Special Features
20VA	120 Vac	AT120B1028/U	F	L	L	60Hz	1 11/16 x 3 3/16 x 1 3/4	
	120 Vac, 208 Vac, 240 Vac	AT120A1004/U	M	L	S	60Hz	2 7/8 x 1 7/8 x 2 15/16	
40VA	120 Vac	AT140A1000/U	M	L	S	60Hz	3 3/16 x 2 3/8 x 3 1/8	
	120 Vac	AT140B1206/U	F	L	L	60Hz	1 11/16 x 3 1/2 x 1 3/4	
	120 Vac, 208 Vac, 240 Vac	AT140A1018/U	M	L	S	60Hz	3 3/16 x 2 3/8 x 3 1/8	
	120 Vac, 208 Vac, 240 Vac	AT140B1214/U	F	L	L	60Hz	1 11/16 x 3 1/2 x 1 3/4	
50VA	120 Vac, 208 Vac, 240 Vac	AT150A1007/U	M	L	S	60Hz	1 11/16 x 3 3/16 x 1 3/4	
	120 Vac, 208 Vac, 240 Vac	AT150B1146/U	F	L	L	60Hz	1 11/16 x 3 1/2 x 1 3/4	
	120 Vac, 208 Vac, 240 Vac	AT150F1022/U	M	L	L	60Hz	3 3/16 x 2 3/16 x 3 5/8	Button for resetting circuit breaker & metal end bells
	208 Vac, 277 Vac, 480 Vac	AT150F1030/U	M	L	L	60Hz	3 3/16 x 2 3/16 x 3 5/8	Button for resetting circuit breaker & metal end bells
	277 Vac	AT150B1252/U	F	L, Q	L, Q	60Hz/50Hz	1 11/16 x 3 1/2 x 1 3/4	
75VA	120 Vac	AT175B1055/U	F	L	L	60Hz	2 1/3 x 3 9/16 x 2 1/3	
	120 Vac, 208 Vac, 240 Vac	AT175A1008/U	M	L	S	60Hz	3 3/16 x 2 3/8 x 3 5/8	
	120 Vac, 208 Vac, 240 Vac	AT175F1023/U	M	L	L	60Hz	3 3/16 x 2 3/16 x 3 15/16	Button for resetting circuit breaker & metal end bells
	208 Vac, 277 Vac, 480 Vac	AT175F1031/U	M	L	L	60Hz	3 3/16 x 2 3/16 x 3 15/16	Button for resetting circuit breaker & metal end bells
	120 Vac	AT88A1005/U	F	L	L	60Hz/50Hz	2 15/16 x 2 3/16 x 3 5/16	
	208 Vac, 240 Vac	AT88A1021/U	F	L	L	60Hz/50Hz	2 15/16 x 2 3/16 x 3 5/16	
	480 Vac	AT88A1047/U	F	L	L	60Hz/50Hz	2 15/16 x 2 3/16 x 3 5/16	

**Connectors Key**  
 Q - Quick Connect  
 L - Leadwires  
 T - Terminals  
 S - # 6 Screw

**Mounting Key**  
 F - Foot mounting  
 P - Plate mounting  
 M - Multiple mounting options