

Transformers

AT150F Circuit Breaker Transformer



Honeywell 50 VA general purpose transformers power 24 Vac circuits. Although typically used in heating/cooling control systems, they can be used in any application that doesn't exceed the load ratings.

- Color-coded lead wires for primary connections and screw terminals for secondary connections
- Includes fixed 1/4 inch (6mm) male quick-connects (AT150A models only) or color-coded lead wires for primary and secondary connections
- Meets Underwriters Laboratories Standard UL 1585
- Identified Class 2 not wet, Class 3 wet

Electrical Connections (Primary): 9 in. leadwires (229 mm leadwires)

Electrical Connections (Secondary): 9 in. leadwires (229 mm leadwires)

Frequency: 60 Hz

Approximate, Dimensions: 3 3/16 in. high x 2 3/16 in. wide x 3 5/8 in. deep (81 mm high x 56 mm wide x 93 mm deep)

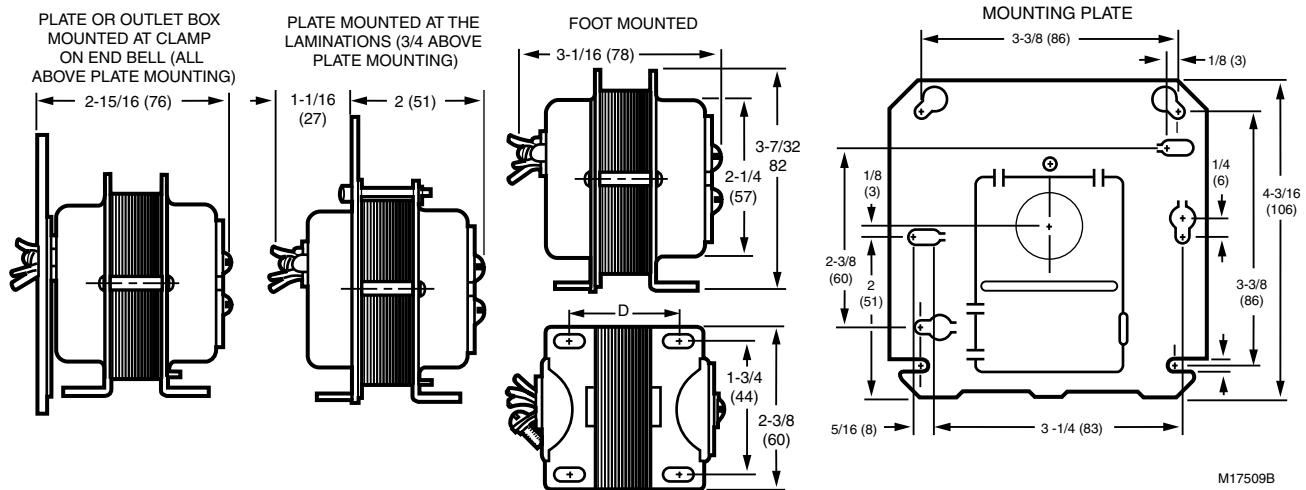
Approvals, Underwriters Laboratories Inc.: UL Listed: File no. E14881, Guide no. XOKV.

Approvals, CSA: Certified: File No. LR95329-18

Tradeline Value: Tradeline

Temperature Range: -20°F to +105°F (-29°C to +41°C)

Dimensions in inches (millimeters)



Material Number	Electrical Ratings-Primary voltage	Electrical Ratings-Secondary voltage	Electrical Ratings, Output	Mounting	Includes
AT150F1022/U	120 Vac, 208 Vac, 240 Vac	27.5 V.O.C.	24 Vac at 50 VA	Includes 1/2 14 NPSM conduit connector and lock nut for mounting on plate or panel (not included) with 7/8 in. knockout, and feet for surface mount.	Metal end bells and button for manually resetting the breaker
AT150F1030/U	208 Vac, 277 Vac, 480 Vac	27.5 V.O.C.	24 Vac at 50 VA	Includes 1/2 14 NPSM conduit connector and lock nut for mounting on plate or panel (not included) with 7/8 in. knockout, and feet for surface mount.	Button for manually resetting the circuit breaker and metal end bells.

Transformer Selection Guide

Transformer Selection Guide

Transformers (NEMA Rated)							
Electrical Ratings - VA	Electrical Ratings - Input Voltage	Product Number	Mounting	Main Connections	Secondary Connections	Frequency	Dimensions (in.) H x W x D
19VA	120 Vac	AT20A1123/U	F	L	L	60Hz/50Hz	2 x 2 1/4 x 1 7/8
40VA	120 Vac	AT72D1006/U	P	L	S	60Hz/50Hz	3 7/32 x 2 7/32 x (1 1/16 into x 2 in. above plate)
	120 Vac	AT72D1089/U	F	L	S	60Hz/50Hz	3 7/32 x 2 7/32 x 3 1/16
	120 Vac	AT72D1188/U	P	L	L	60Hz/50Hz	3 7/32 x 2 7/32 x 2 15/16
	120 Vac	AT72D1683/U	M	L	S	60Hz/50Hz	3 7/32 x 2 7/32 x 3 1/16
	208 Vac, 240 Vac	AT72D1691/U	M	L	S	60Hz/50Hz	3 7/32 x 2 7/32 x 3 1/16
48VA	277 Vac	AT87A1189/U	F	L	L	60Hz/50Hz	2 15/16 x 2 7/32 x 2 1/4
	480 Vac	AT87A1155/U	F	L	L	60Hz/50Hz	2 15/16 x 2 7/32 x 2 1/4
50VA	120 Vac, 208 Vac, 240 Vac	AT87A1106/U	M	L	S	60Hz/50Hz	2 15/16 x 2 7/32 x 2 1/4

Transformers (Not NEMA Rated)								
Electrical Ratings - VA	Electrical Ratings - Input Voltage	Product Number	Mounting	Main Connections	Secondary Connections	Frequency	Dimensions (in.) H x W x D	Special Features
20VA	120 Vac	AT120B1028/U	F	L	L	60Hz	1 11/16 x 3 3/16 x 1 3/4	
	120 Vac, 208 Vac, 240 Vac	AT120A1004/U	M	L	S	60Hz	2 7/8 x 1 7/8 x 2 15/16	
40VA	120 Vac	AT140A1000/U	M	L	S	60Hz	3 3/16 x 2 3/8 x 3 1/8	
	120 Vac	AT140B1206/U	F	L	L	60Hz	1 11/16 x 3 1/2 x 1 3/4	
	120 Vac, 208 Vac, 240 Vac	AT140A1018/U	M	L	S	60Hz	3 3/16 x 2 3/8 x 3 1/8	
	120 Vac, 208 Vac, 240 Vac	AT140B1214/U	F	L	L	60Hz	1 11/16 x 3 1/2 x 1 3/4	
50VA	120 Vac, 208 Vac, 240 Vac	AT150A1007/U	M	L	S	60Hz	1 11/16 x 3 3/16 x 1 3/4	
	120 Vac, 208 Vac, 240 Vac	AT150B1146/U	F	L	L	60Hz	1 11/16 x 3 1/2 x 1 3/4	
	120 Vac, 208 Vac, 240 Vac	AT150F1022/U	M	L	L	60Hz	3 3/16 x 2 3/16 x 3 5/8	Button for resetting circuit breaker & metal end bells
	208 Vac, 277 Vac, 480 Vac	AT150F1030/U	M	L	L	60Hz	3 3/16 x 2 3/16 x 3 5/8	Button for resetting circuit breaker & metal end bells
	277 Vac	AT150B1252/U	F	L, Q	L, Q	60Hz/50Hz	1 11/16 x 3 1/2 x 1 3/4	
75VA	120 Vac	AT175B1055/U	F	L	L	60Hz	2 1/3 x 3 9/16 x 2 1/3	
	120 Vac, 208 Vac, 240 Vac	AT175A1008/U	M	L	S	60Hz	3 3/16 x 2 3/8 x 3 5/8	
	120 Vac, 208 Vac, 240 Vac	AT175F1023/U	M	L	L	60Hz	3 3/16 x 2 3/16 x 3 15/16	Button for resetting circuit breaker & metal end bells
	208 Vac, 277 Vac, 480 Vac	AT175F1031/U	M	L	L	60Hz	3 3/16 x 2 3/16 x 3 15/16	Button for resetting circuit breaker & metal end bells
	120 Vac	AT88A1005/U	F	L	L	60Hz/50Hz	2 15/16 x 2 3/16 x 3 5/16	
	208 Vac, 240 Vac	AT88A1021/U	F	L	L	60Hz/50Hz	2 15/16 x 2 3/16 x 3 5/16	
	480 Vac	AT88A1047/U	F	L	L	60Hz/50Hz	2 15/16 x 2 3/16 x 3 5/16	

Connectors Key
 Q - Quick Connect
 L - Leadwires
 T - Terminals
 S - # 6 Screw

Mounting Key
 F - Foot mounting
 P - Plate mounting
 M - Multiple mounting options