

Hoffman Specialty®

Service Parts Catalog

Table of contents



Float and thermostatic

Series Page

C  6

H  4


I  5

X  6

55  8

550  8

590  8

Competitive changeover  10


Thermostatic

8C  11

9C  11

17C  11

17K  11

Competitive changeover replacement modules Dura-stat®  12

Inverted bucket

Series Page

B0  13

B1  14

B2  14

B3  16





Thermodisc

TD6520  18


TD6420  18

Table of contents





Regulators and pilots

	<u>Series</u>	<u>Page</u>
Pressure (for Steam Service)		
Pilot operated		
	2100	 19
	2200	 21
	2300	 21
• Spring pressure control	SPS	 23

Vacuum breakers

<u>Series</u>	<u>Page</u>
62	 24

Vents

	<u>Series</u>	<u>Page</u>
Steam		
High pressure	8C	 11
Water		
	78	 24
	79	 24
	792	 24

Y-strainers

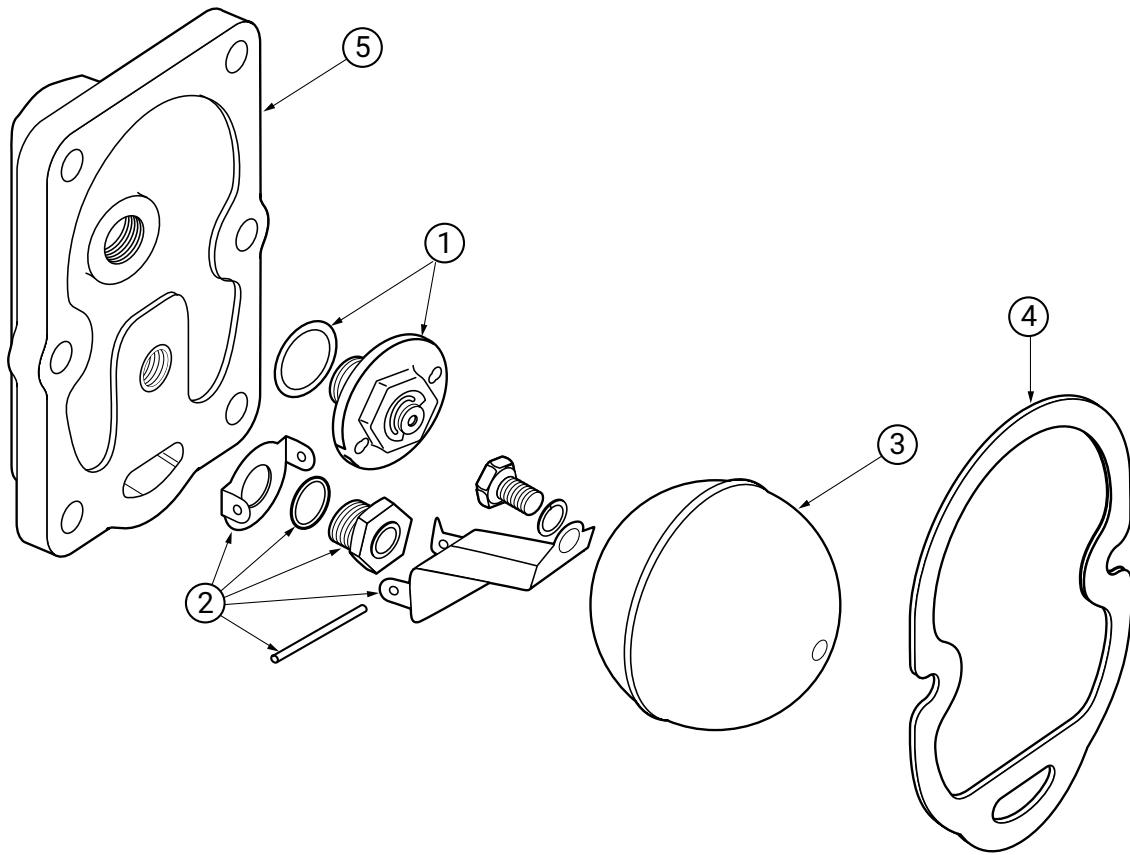
<u>Series</u>	<u>Page</u>
400	 25

For steam or water

Float and thermostatic steam traps

Series H

¾" – 2"



Ordering information

Model number	NPT	Pressure psi (bar)	Cover assembly (includes items 1 - 5) part number	Item 1 thermostat part number	Item 2 lever & valve assembly part number	Item 3 float ball part number	Item 4 cover gasket part number (qty.)
FT015H-3,-4	¾, 1	15 (1.0)	604001	601111	604019	601252	600245 (10), 604030A (20)
FT015H-5	1¼	15 (1.0)	604006	601111	604024	601252	600245 (10), 604030A (20)
FT015H-6	1½	15 (1.0)	601120	601111	601201	601258	601270 (1)
FT015H-8	2	15 (1.0)	601123	601111	601204	601261	600345 (1)
FT030H-3,-4	¾, 1	30 (2.0)	604002	699854	604020	601252	600245 (10), 604030A (20)
FT030H-5	1¼	30 (2.0)	604007	699854	604019	601252	600245 (10), 604030A (20)
FT030H-6	1½	30 (2.0)	601138	699854	—	601258	601270 (1)
FT075H-3,-4	¾, 1	75 (5.1)	604003	699854	604021	601252	600245 (10), 604030A (20)
FT125H-3,-4	¾, 1	125 (8.5)	604004	699854	604022	601252	600245 (10), 604030A (20)
FT175H-3,-4	¾, 1	175 (11.9)	604005	699854	604023	601252	600245 (10), 604030A (20)

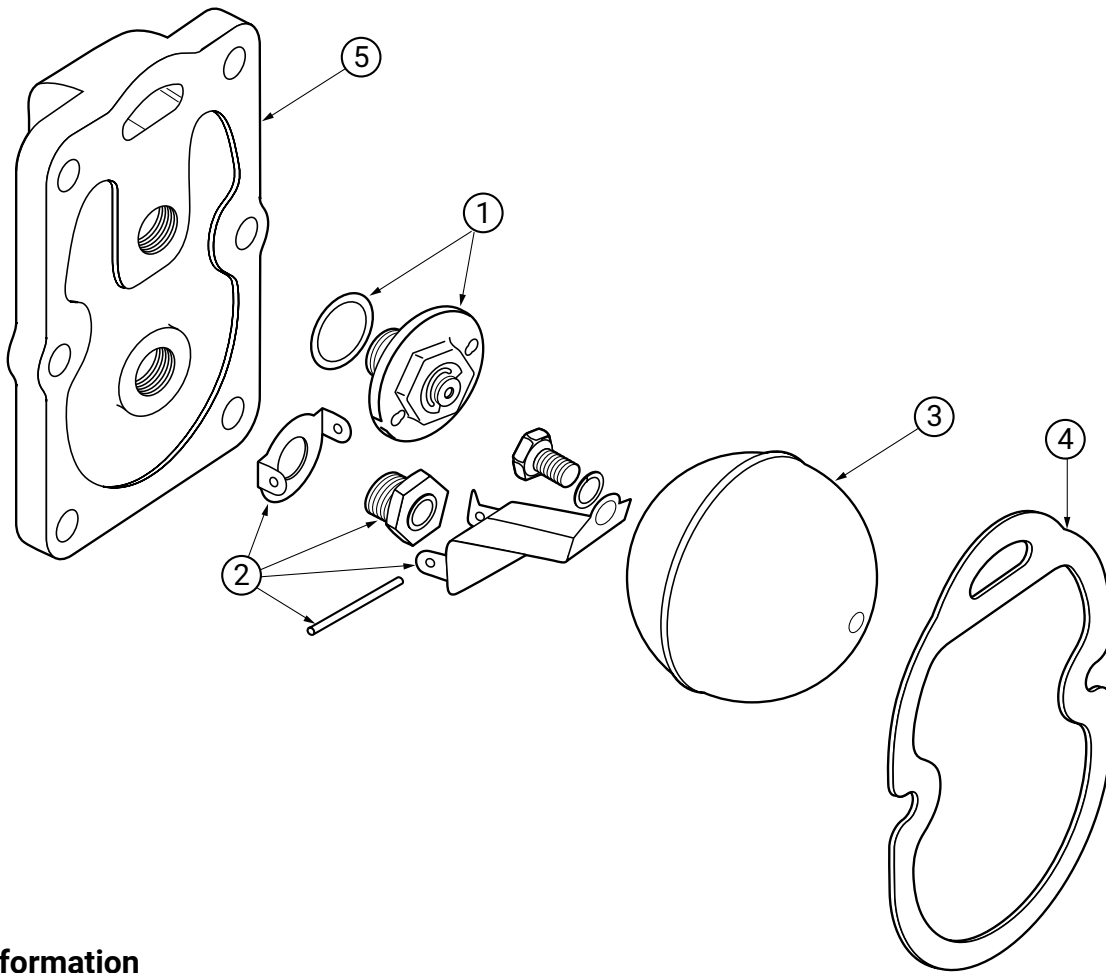
Note: For item 2, gasket is included only on 1½" and 2" models.

Item 3 includes mounting screw and washer. Cover casting only sold with cover assembly.

Float and thermostatic steam traps

Series I

3/4" - 1 1/4"



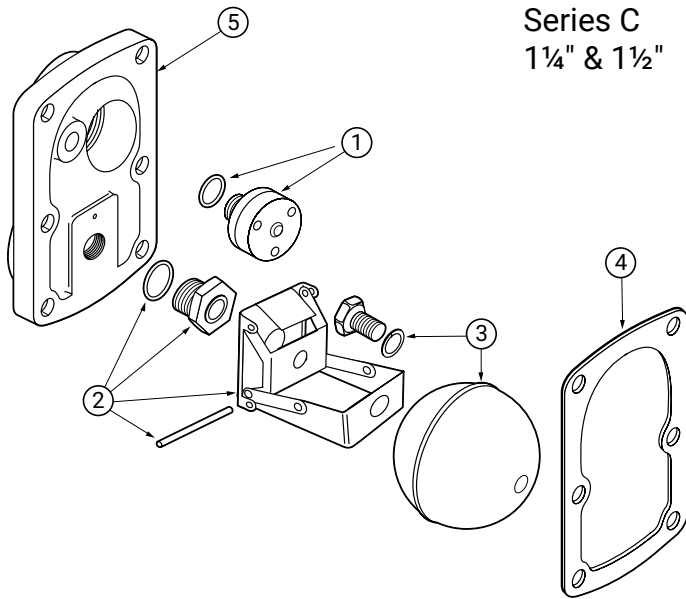
Ordering information

Model number	NPT	Pressure psi (bar)	Cover assembly (includes items 1 - 5) part number	Item 1 thermostad part number	Item 2 lever & valve assembly part number	Item 3 float ball part number	Item 4 cover gasket part number (qty.)
FT015I-3,-4	3/4, 1	15 (1.0)	604043	601111	604019	601252	600245 (10), 604030A (20)
FT015I-5	1 1/4	15 (1.0)	604044	601111	604024	601252	600245 (10), 604030A (20)
FT030I-3,-4	3/4, 1	30 (2.0)	604045	699854	604020	601252	601270 (1)
FT030I-5	1 1/4	30 (2.0)	604046	699854	604019	601252	600245 (10), 604030A (20)
FT075I-3,-4	3/4, 1	75 (5.1)	604047	699854	604021	601252	600245 (10), 604030A (20)
FT075I-5	1 1/4	75 (5.1)	604047	699854	604021	601252	600245 (10), 604030A (20)
FT125I-3,-4	3/4, 1	125 (8.5)	604048	699854	604022	601252	600245 (10), 604030A (20)
FT125I-5	1 1/4	125 (8.5)	604048	699854	604022	601252	600245 (10), 604030A (20)
FT175I-3,-4	3/4, 1	175 (11.9)	604049	699854	604023	601252	600245 (10), 604030A (20)
FT175I-5	1 1/4	175 (11.9)	604049	699854	604023	601252	600245 (10), 604030A (20)

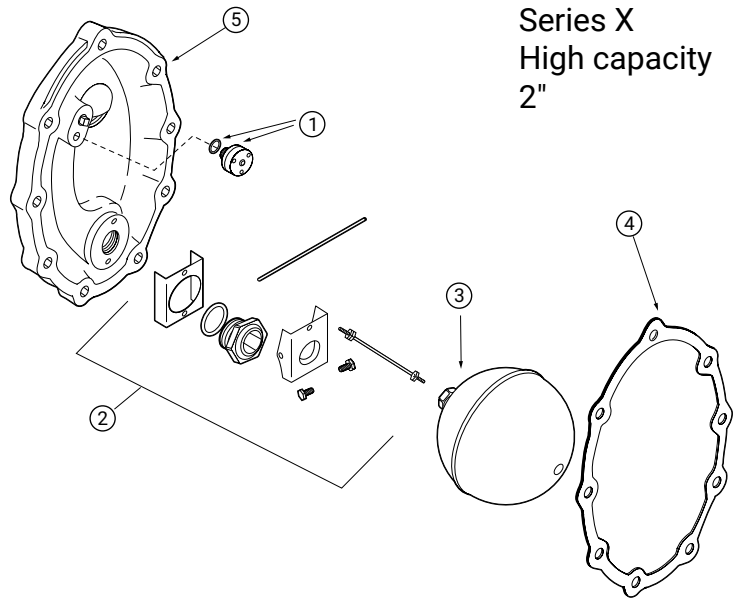
Note: Item 3 includes mounting screw and washer. Cover casting only sold with cover assembly.

Float and thermostatic steam traps

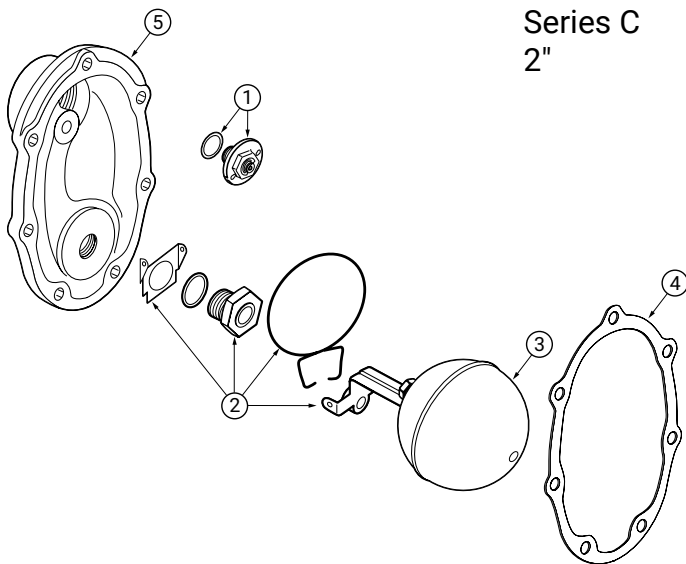
Series C & X **BEARTRAP**[®]



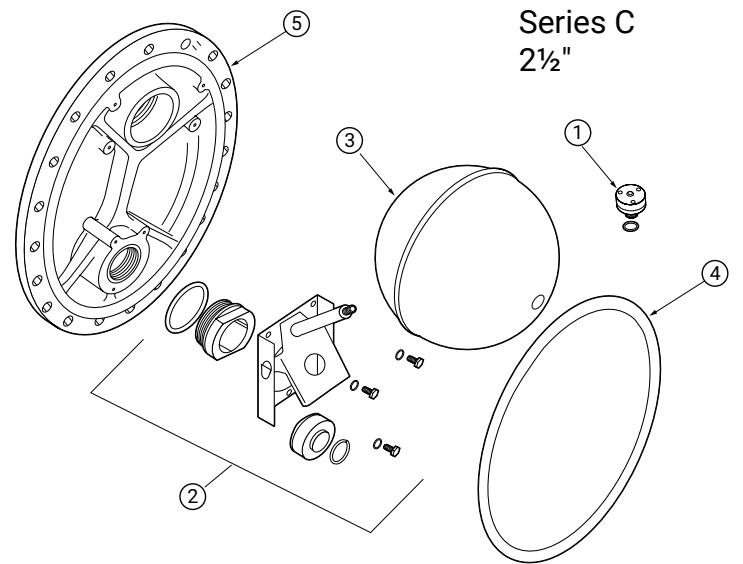
Series C
1 1/4" & 1 1/2"



Series X
High capacity
2"



Series C
2"



Series C
2 1/2"

Item	Description
1	Thermostat assembly
2	Float lever, mounting pin and yoke, valve pin and seat
3	Float ball (mounting screw and washer included)
4	Cover gasket
5	Cover casting

Float and thermostatic steam traps

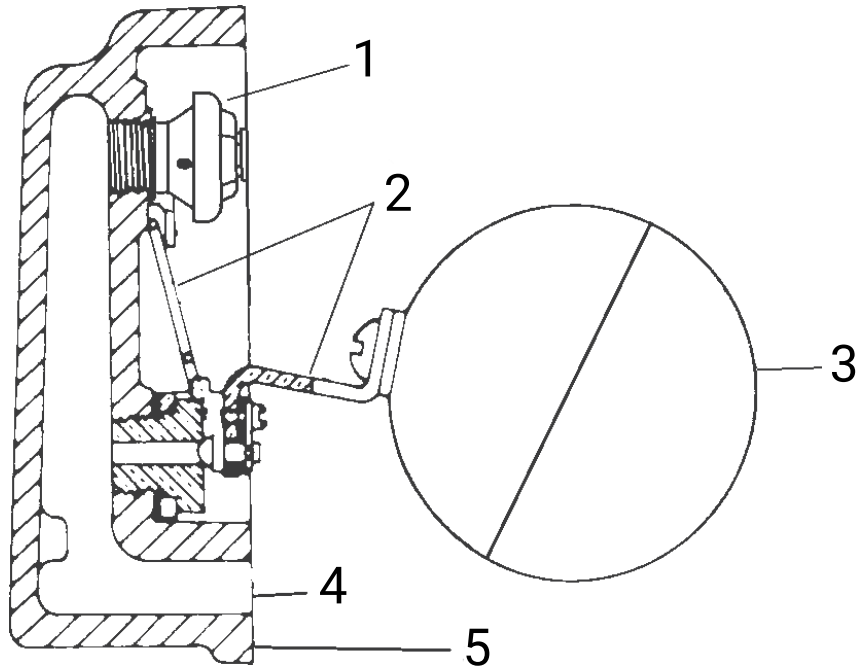
Series C & X **BEARTRAP**[®] (continued)

Ordering information

Model number	NPT	Pressure psi (bar)	Style	Cover assembly (includes items 1 - 5) part number	Item 1 thermostast part number	Item 2 lever & valve assembly part number	Item 3 float ball part number	Item 4 cover gasket part number	Item 5 cover casting part number
FT015C-6	1½	15 (1.0)	C	604011	601111	604025	604032	604031	—
FT015C-8	2	15 (1.0)	C	—	601111	604033	601261	699853	604041
FT015X-8	2	15 (1.0)	X	—	699854	604034	601335	699852	604042
FT015C-10	2½	15 (1.0)	C	—	699854	604035	699855	699851	604040
FT030C-6	1½	30 (2.0)	C	604012	699854	—	604032	604031	—
FT030C-8	2	30 (2.0)	C	—	699854	699867	601261	699853	604041
FT030X-8	2	30 (2.0)	X	—	699854	699863	601335	699852	604042
FT030C-10	2½	30 (2.0)	C	—	699854	699859	699855	699851	604040
FT075C-5	1¼	75 (5.1)	C	604008	699854	604027	604032	604031	—
FT075C-6	1½	75 (5.1)	C	604013	699854	604027	604032	604031	—
FT075C-8	2	75 (5.1)	C	—	699854	699866	601261	699853	604041
FT075X-8	2	75 (5.1)	X	—	699854	699862	601335	699852	604042
FT075C-10	2½	75 (5.1)	C	—	699854	699858	699855	699851	604040
FT125C-5	1¼	125 (8.5)	C	604009	699854	604028	604032	604031	—
FT125C-6	1½	125 (8.5)	C	604014	699854	604028	604032	604031	—
FT125C-8	2	125 (8.5)	C	—	699854	699865	601261	699853	604041
FT125X-8	2	125 (8.5)	X	—	699854	699861	601335	699852	604042
FT125C-10	2½	125 (8.5)	C	—	699854	699857	699855	699851	604040
FT175C-5	1¼	175 (11.9)	C	604010	699854	—	604032	604031	—
FT175C-6	1½	175 (11.9)	C	604015	699854	—	604032	604031	—
FT175C-8	2	175 (11.9)	C	—	699854	—	601261	699853	604041
FT175X-8	2	175 (11.9)	X	—	699854	699860	601335	699852	604042
FT175C-10	2½	175 (11.9)	C	—	699854	699856	699855	699851	604040

Float and thermostatic steam traps

Series 55, 550 & 590 **BEAR TRAP**[®] (previously manufactured)



Item	Description
1	Thermostat assembly (appearance may vary)
2	Float lever and valve assembly (float lever, aligning screw and lockwasher, valve pin, and cotter pin, valve seat, seat yoke and gasket, spring)
3	Float ball assembly (float ball and round head screw)
4	Cover gasket
5	Cover casting

Float and thermostatic steam traps

Series 55, 550 & 590  (continued)

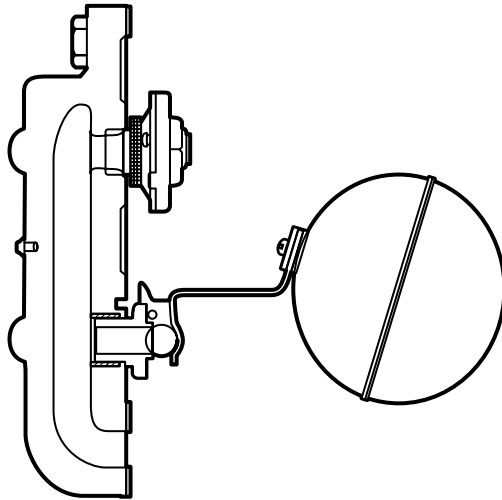
Ordering information

Model number	NPT	Pressure psi (bar)	Cover assembly (includes items 1 - 5) part number	Item 1 thermostat part number	Item 2 lever & valve assembly part number	Item 3 float ball part number	Item 4 cover gasket part number
53, 55	¾	15 (1.0)	600129	601111	—	—	601264
54, 55	1	15 (1.0)	601114	601111	—	—	601264
55, 56	1¼	15 (1.0)	601117	601111	—	—	601267
55, 57	1½	15 (1.0)	601120	601111	—	—	601270
55, 58	2	15 (1.0)	601123	601111	—	—	600345
540, 550	1	30 (2.0)	601129	699854	—	—	601264
550, 560	1¼	30 (2.0)	601135	699854	—	—	601267
550	1½	30 (2.0)	601138	699854	—	—	601270
550	*2	30 (2.0)	—	699854	699867	601261	699853
541, 551	1	75 (5.1)	601147	699854	—	—	601264
551, 561	1¼	75 (5.1)	601153	699854	—	—	601267
551	1½	75 (5.1)	601156	699854	—	—	601270
551	*2	75 (5.1)	—	699854	699866	601261	699853
542, 552	1	125 (8.5)	601165	699854	—	—	601264
552, 562	1¼	125 (8.5)	601171	699854	—	—	601267
552, 582	1½	125 (8.5)	601177	699854	—	—	600345
552	*2	125 (8.5)	—	699854	699865	601261	699853
553	1	175 (11.9)	601183	699854	—	—	601264
553	1¼	175 (11.9)	601142	699854	—	—	601267
553	1½	175 (11.9)	601184	699854	—	—	600345
553	*2	175 (11.9)	—	699854	699864	601261	699853
540, 590	¾	30 (2.0)	601126	699854	—	—	601264
560, 590	1	30 (2.0)	601132	699854	—	—	601267
580, 590	1½	30 (2.0)	601141	699854	—	—	600345
590	*2	30 (2.0)	—	699854	699863	601335	699852
590	*2½	30 (2.0)	—	699854	699859	699855	699851
541, 591	¾	75 (5.1)	601144	699854	—	—	601264
561, 591	1	75 (5.1)	601150	699854	—	—	601267
581, 591	1½	75 (5.1)	601159	699854	—	—	600345
591	*2	75 (5.1)	—	699854	699862	601335	699852
591	*2½	75 (5.1)	—	699854	699858	699855	699851
542, 592	¾	125 (8.5)	601162	699854	—	—	601264
562, 592	1	125 (8.5)	601168	699854	—	—	601267
592	1½	125 (8.5)	601174	699854	—	—	601270
592	*2	125 (8.5)	—	699854	699861	601335	699852
592	*2½	125 (8.5)	—	699854	699857	699855	699851
593	¾	175 (11.9)	601180	699854	—	—	601264
593	1	175 (11.9)	601186	699854	—	—	601267
593	1½	175 (11.9)	601189	699854	—	—	601270
593	*2	175 (11.9)	—	699854	699860	601335	699852
593	*2½	175 (11.9)	—	699854	699856	699855	699851

*Models have inlet and outlet tappings on the cover assembly. **Note:** cover casting only sold with cover assembly.

Float and thermostatic steam traps

Cover assemblies for Spirax Sarco float & thermostatic steam traps



Ordering information

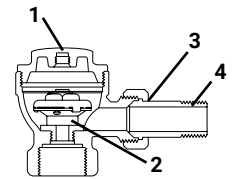
Spirax Sarco F&T trap model number	Pressure psi (bar)	NPT	Hoffman Specialty cover assembly* part number	Cover gasket part number (qty.)
FT15	15 (1.0)	¾	604001	600245 (10), 604030A (20)
	15 (1.0)	1	604001	600245 (10), 604030A (20)
	15 (1.0)	1¼	604006	600245 (10), 604030A (20)
	15 (1.0)	1½	604011	604031 (1)
FT30	30 (2.0)	¾	604002	600245 (10), 604030A (20)
	30 (2.0)	1	604002	600245 (10), 604030A (20)
	30 (2.0)	1¼	604007	600245 (10), 604030A (20)
	30 (2.0)	1½	604012	604031 (1)
FT75	75 (5.1)	¾	604003	600245 (10), 604030A (20)
	75 (5.1)	1	604003	600245 (10), 604030A (20)
	75 (5.1)	1¼	604008	604031 (1)
	75 (5.1)	1½	604013	604031 (1)
FT125	125 (8.5)	¾	604004	600245 (10), 604030A (20)
	125 (8.5)	1	604004	600245 (10), 604030A (20)
	125 (8.5)	1¼	604009	604031 (1)
	125 (8.5)	1½	604014	604031 (1)

* Cover assembly includes cover casting, all internal components, and cover gasket.

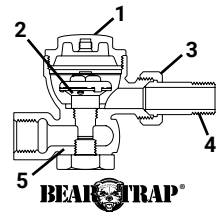
Thermostatic steam traps

Series 8C, 9C & 17C **BEARTRAP®**

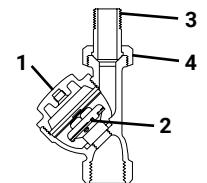
Model no.	Pattern	NPT	Item	Description	Part number
17C-2	Angle	½	1	Cap	601033
			2	Thermostat	600084
			3	Coupling nut	601000
			4	Connection nipple – 1¾"	601021
				Connection nipple – 1⅜"	601009
17C-2	Swivel	½	1	Cap	601033
			2	Thermostat	600084
			3	Coupling nut	601000
			4	Connection nipple – 1¾"	601021
				Connection nipple – 1⅜"	601009
			5	Gasket (set of 2)	601027
17C-2	Vertical	½	1	Cap	601033
			2	Thermostat	600084
			3	Coupling nut	601000
			4	Connection nipple – 1⅜"	601009
8C-A-2	Angle	½	1	Cap	601036
			2	Thermostat	600205
			3	Coupling nut	601000
			4	Connection nipple – 1⅜"	601009
17C-3 17C-3	Angle straightaway	¾	1	Cap	601033
			2	Thermostat	600084
			3	Coupling nut	601003
			4	Connection nipple – 1⅝"	601012
8C-A-3 8C-S-3	Angle straightaway	¾	1	Cap	601036
			2	Thermostat	600205
			3	Coupling nut	601003
			4	Connection nipple – 1⅝"	601012
17C-4	Angle	1	1	Cap	601033
			2	Thermostat	600084
			4	Connection nipple – 1⅞"	601015
9C-A-4	Angle	1	2	Thermostat	600205
			4	Connection nipple – 1⅞"	601015
8C, 9C	All	½ - 1	—	Spanner wrench	600209



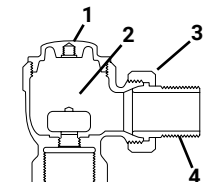
BEARTRAP®
Model 17C angle trap



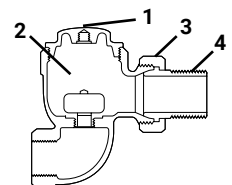
BEARTRAP®
Model 17C swivel trap



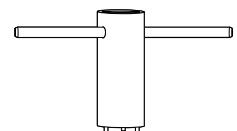
BEARTRAP®
Model 17C vertical trap



Models 8C and 9C
angle trap



Model 8C and 17C
straightaway



Spanner wrench
used on 8C & 9C

Note: For Series 8, 8H, 9 & 9H the entire trap must be replaced with a Series 8C or 9C trap. However, the existing union nut and tailpiece can be used to connect the new trap.

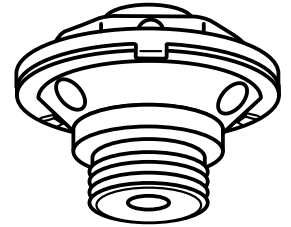
For Series 17A & 17D the entire trap must be replaced with a Series 17C trap.

For Series 17K the cap and element are no longer available. Replace entire trap with 17C if not functioning. Existing tailpiece and union nut may be reused.

Thermostatic steam traps

BEAR TRAP[®] Dura-stat[®] replacement modules

For listed Barnes & Jones, Dunham-Bush/MEPCO, Illinois, Spirax-Sarco, Warren Webster, and Hoffman Specialty Thermostatic Steam Trap models only. The all Stainless Steel Dura-stat[®] Replacement Module should be used to upgrade thermostatic steam traps. The Dura-stat is durable and water hammer resistant.

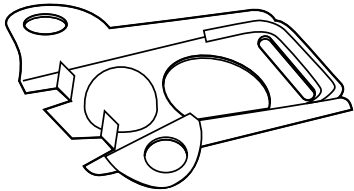


Selection

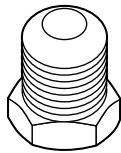
Trap manufacturer	NPT	Model number	Dura-stat [®] part number
Hoffman Specialty	1/2	17C	600084
Spirax-Sarco		TB-25, TH-25, TS-25, H	600056
Barnes & Jones		122	600053
Dunham-Bush/MEPCO		1C, 1E	600052
Illinois		1G	600056
Warren Webster		02H, 502	600250

Inverted bucket steam traps

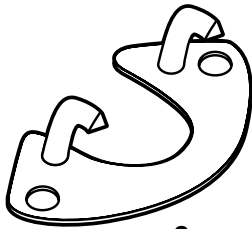
Series B0 **BEARTRAP**[®]



1



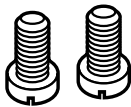
2



3



4



5

Service kit contents

Item	Description
1	Valve lever assembly
2	Valve seat
3	Guide pin assembly
4	Nameplate
5	Guide pin assembly screws

Ordering information

Model number	Seat pressure psi (bar)	Service kit* part number	Item 8 gasket part number
B0020	20 (1.4)	—	600354
B0080	80 (5.5)	600351	600354
B0125	125 (8.6)	—	600354
B0150	150 (10.3)	600353	600354

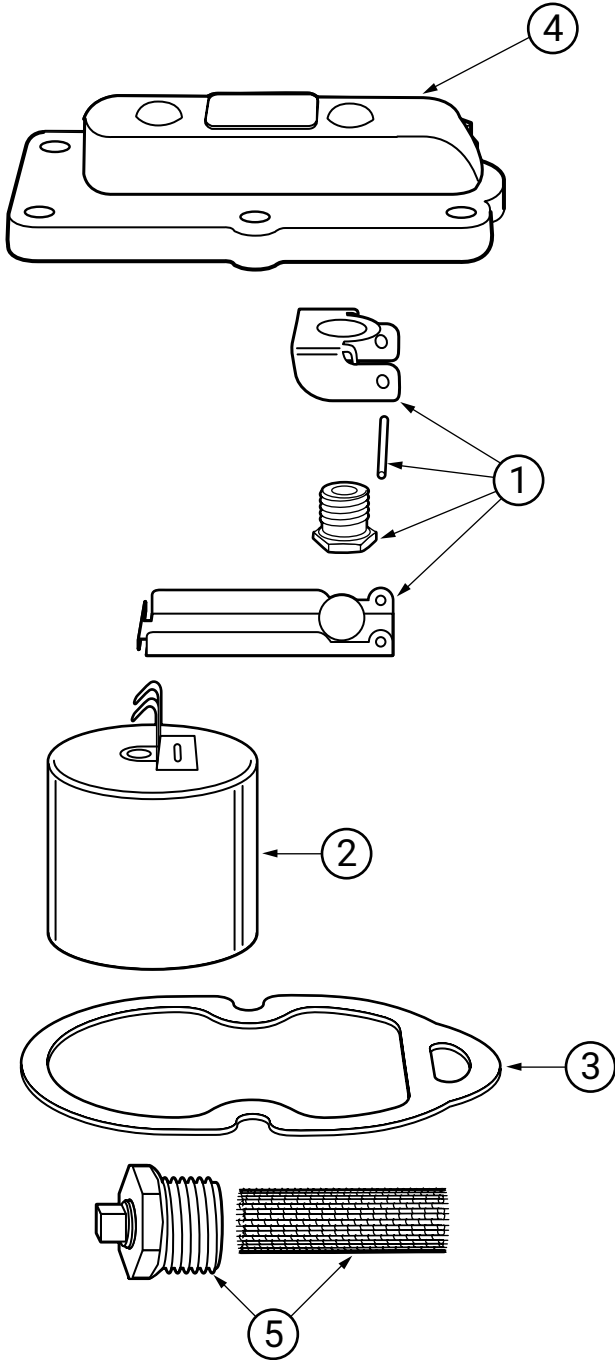
* Service Kit also fits the following steam traps:

Steam trap model number

Armstrong	800, 880
Spence/Nicholson	80, 80S

Inverted bucket steam traps

Series B1 & B2 **BEAR TRAP**[®]



Item	Description
1	Internal parts (includes cover gasket, item 3)
2	Bucket kit
3	Cover gasket
4	Cover
5	Strainer kit

Inverted bucket steam traps

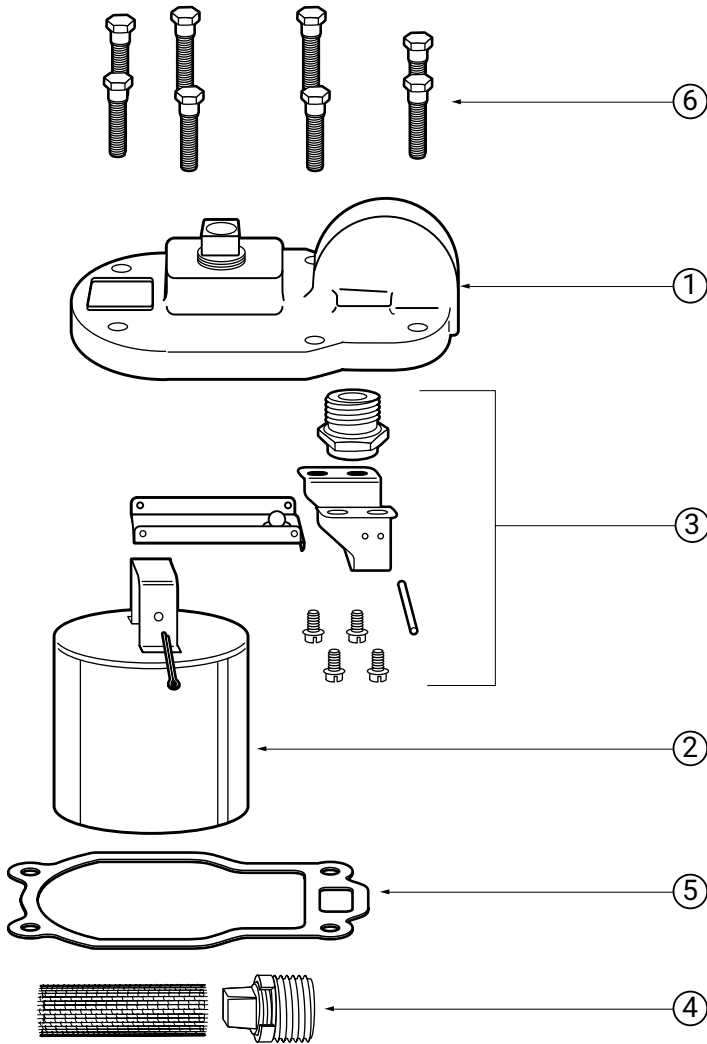
Series B1 & B2 

Ordering information

Model number	Seat pressure psi (bar)	Items 1-4 cover assembly part number	Items 1-4 cover assembly with thermic vent part number	Item 2 bucket kit part number	Item 1 internal parts part number	Item 3 gasket part number (qty.)	Item 5 strainer kit part number
B1015A	15 (1.0)	600410	—	600434	600438	600245 (10), 604030A (20)	—
B1015B	15 (1.0)	—	—	—	600438	600245 (10), 604030A (20)	601276
B1015S	15 (1.0)	600410	—	600434	600438	600245 (10), 604030A (20)	601276
B1015T	15 (1.0)	—	—	—	600438	600245 (10), 604030A (20)	—
B1030A	30 (2.0)	600412	—	600434	600439	600245 (10), 604030A (20)	—
B1030B	30 (2.0)	—	600413	—	600439	600245 (10), 604030A (20)	601276
B1030S	30 (2.0)	600412	—	600434	600439	600245 (10), 604030A (20)	601276
B1030T	30 (2.0)	—	600413	—	600439	600245 (10), 604030A (20)	—
B1075A	75 (5.1)	600414	—	600434	600440	600245 (10), 604030A (20)	—
B1075B	75 (5.1)	—	600415	—	600440	600245 (10), 604030A (20)	601276
B1075S	75 (5.1)	600414	—	600434	600440	600245 (10), 604030A (20)	601276
B1075T	75 (5.1)	—	600415	—	600440	600245 (10), 604030A (20)	—
B1125A	125 (8.5)	600416	—	600434	600441	600245 (10), 604030A (20)	—
B1125B	125 (8.5)	—	600417	—	600441	600245 (10), 604030A (20)	601276
B1125S	125 (8.5)	600416	—	600434	600441	600245 (10), 604030A (20)	601276
B1125T	125 (8.5)	—	600417	—	600441	600245 (10), 604030A (20)	—
B1180A	180 (12.2)	600418	—	600434	600442	600245 (10), 604030A (20)	—
B1180B	180 (12.2)	—	—	—	600442	600245 (10), 604030A (20)	601276
B1180S	180 (12.2)	600418	—	600434	600442	600245 (10), 604030A (20)	601276
B1180T	180 (12.2)	—	—	—	600442	600245 (10), 604030A (20)	—
B1250A	250 (17.0)	600420	—	600434	—	600245 (10), 604030A (20)	—
B1250B	250 (17.0)	—	—	—	—	600245 (10), 604030A (20)	601276
B1250S	250 (17.0)	600420	—	600434	—	600245 (10), 604030A (20)	601276
B1250T	250 (17.0)	—	—	—	—	600245 (10), 604030A (20)	—
B2015A	15 (1.0)	—	—	600436	600444	600245 (10), 604030A (20)	—
B2015B	15 (1.0)	—	—	600437	600444	600245 (10), 604030A (20)	601276
B2015S	15 (1.0)	—	—	600436	600444	600245 (10), 604030A (20)	601276
B2015T	15 (1.0)	—	—	600437	600444	600245 (10), 604030A (20)	—
B2030A	30 (2.0)	600424	—	600436	600445	600245 (10), 604030A (20)	—
B2030B	30 (2.0)	—	600425	600437	600445	600245 (10), 604030A (20)	601276
B2030S	30 (2.0)	600424	—	600436	600445	600245 (10), 604030A (20)	601276
B2030T	30 (2.0)	—	600425	600437	600445	600245 (10), 604030A (20)	—
B2075A	75 (5.1)	—	—	600436	600438	600245 (10), 604030A (20)	—
B2075B	75 (5.1)	—	—	600437	600438	600245 (10), 604030A (20)	601276
B2075S	75 (5.1)	—	—	600436	600438	600245 (10), 604030A (20)	601276
B2075T	75 (5.1)	—	—	600437	600438	600245 (10), 604030A (20)	—
B2125A	125 (8.5)	600428	—	600436	600446	600245 (10), 604030A (20)	—
B2125B	125 (8.5)	—	600429	600437	600446	600245 (10), 604030A (20)	601276
B2125S	125 (8.5)	600428	—	600436	600446	600245 (10), 604030A (20)	601276
B2125T	125 (8.5)	—	600429	600437	600446	600245 (10), 604030A (20)	—
B2180A	180 (12.2)	600430	—	600436	600440	600245 (10), 604030A (20)	—
B2180B	180 (12.2)	—	—	600437	600440	600245 (10), 604030A (20)	601276
B2180S	180 (12.2)	600430	—	600436	600440	600245 (10), 604030A (20)	601276
B2180T	180 (12.2)	—	—	600437	600440	600245 (10), 604030A (20)	—
B2250A	250 (17.0)	—	—	600436	—	600245 (10), 604030A (20)	—
B2250B	250 (17.0)	—	600433	600437	—	600245 (10), 604030A (20)	601276
B2250S	250 (17.0)	—	—	600436	—	600245 (10), 604030A (20)	601276
B2250T	250 (17.0)	—	600433	600437	—	600245 (10), 604030A (20)	—

Inverted bucket steam traps

Series B3 **BEAR TRAP**[®]



Item	Description
1	Cover (casting only)
2	Bucket kit
3	Internal parts (includes cover gasket, item 5)
4	Strainer kit
5	Gasket
6	Cover bolt kit

Inverted bucket steam traps

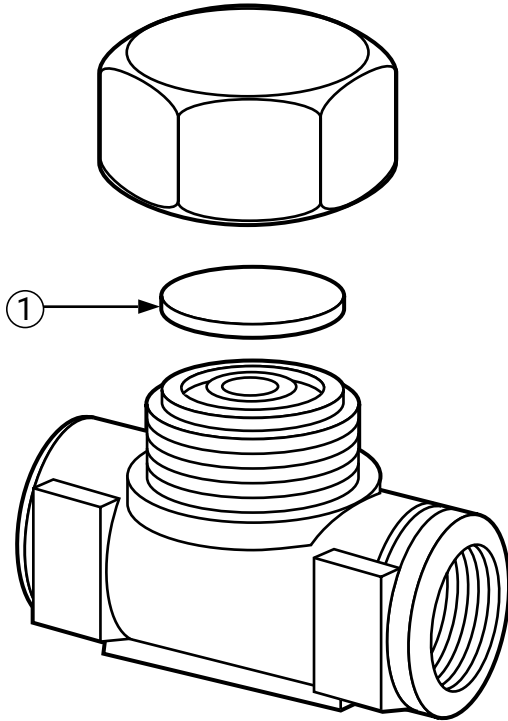
Series B3  **BEAR TRAP**®

Ordering information

Model number	Seat pressure psi (bar)	Item 2 bucket kit part number	Item 3 and 5 internal parts part number	Item 5 gasket part number
B3015A	15 (1.0)	600469	—	600472
B3015B	15 (1.0)	600470	—	600472
B3015S	15 (1.0)	600469	—	600472
B3015T	15 (1.0)	600470	—	600472
B3030A	30 (2.0)	600469	—	600472
B3030B	30 (2.0)	600470	—	600472
B3030S	30 (2.0)	600469	—	600472
B3030T	30 (2.0)	600470	—	600472
B3075A	75 (5.1)	600469	600465	600472
B3075B	75 (5.1)	600470	600465	600472
B3075S	75 (5.1)	600469	600465	600472
B3075T	75 (5.1)	600470	600465	600472
B3125A	125 (8.5)	600469	600466	600472
B3125B	125 (8.5)	600470	600466	600472
B3125S	125 (8.5)	600469	600466	600472
B3125T	125 (8.5)	600470	600466	600472
B3180A	180 (12.2)	600469	—	600472
B3180B	180 (12.2)	600470	—	600472
B3180S	180 (12.2)	600469	—	600472
B3180T	180 (12.2)	600470	—	600472
B3250A	250 (17.0)	600469	—	600472
B3250B	250 (17.0)	600470	—	600472
B3250S	250 (17.0)	600469	—	600472
B3205T	250 (17.0)	600470	—	600472

Thermodisc steam traps

Series TD **BEAR TRAP**[®]



Replacement disc kits contents

Includes 5 discs

Item	Description
1	Disc

Ordering Information

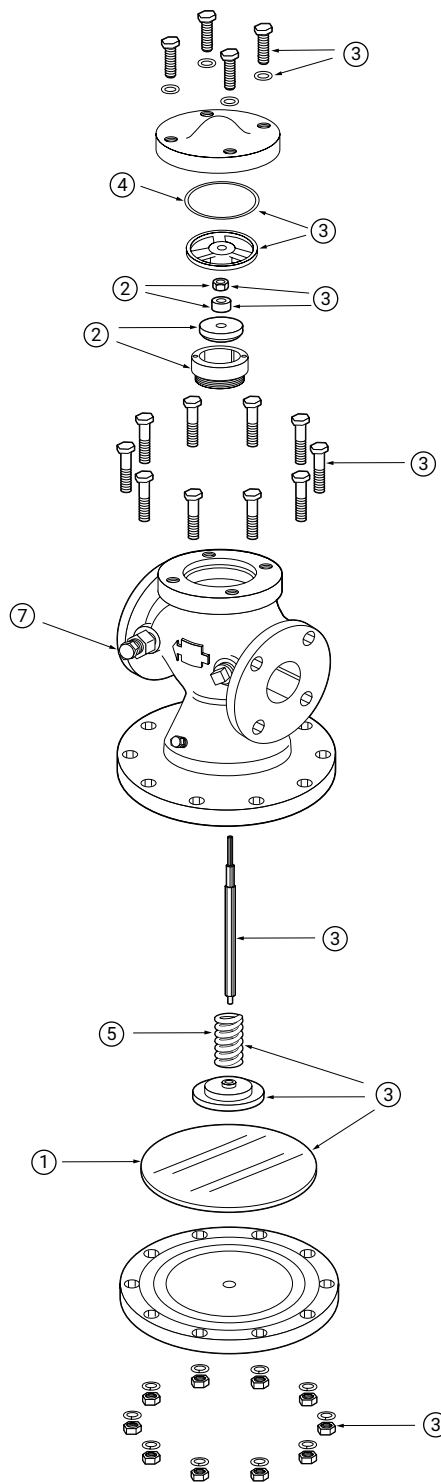
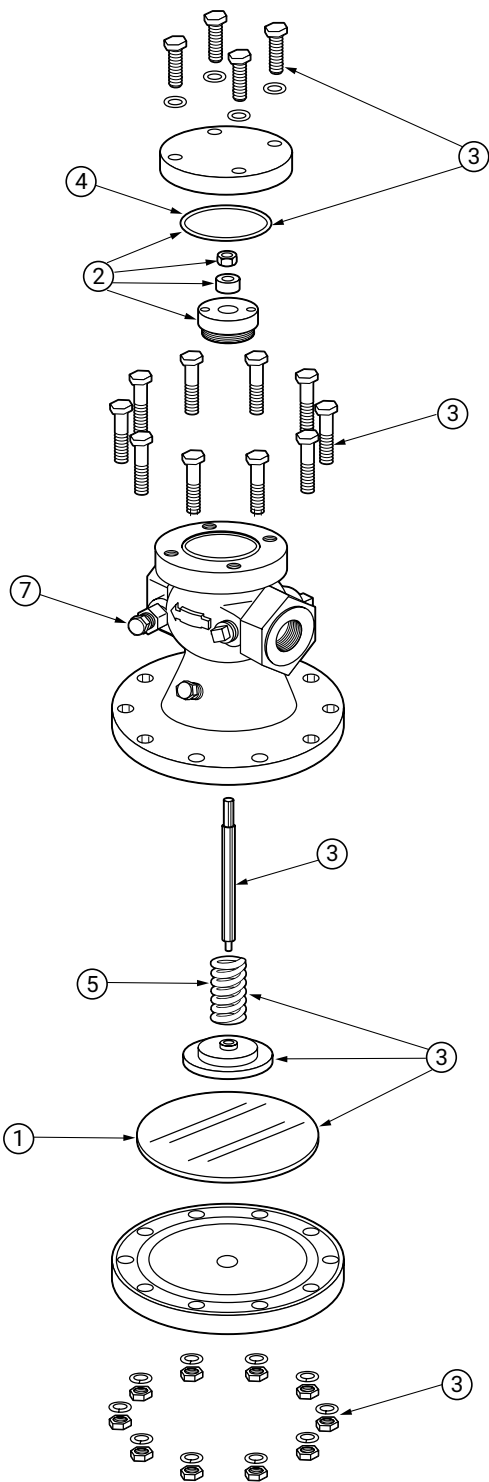
Model number	Size	Part number
TD6523	$\frac{3}{8}$	600357
TD6528	1	600360
TD6423	$\frac{3}{8}$	600361
TD6424	$\frac{1}{2}$	600361
TD6426	$\frac{3}{4}$	600363
TD6428	1	600363

Pressure/temperature regulators, pilot-operated

Series 2100 main valve

1/2" – 1 1/2"

2"



Service kit contents

Item	Description
1	Diaphragms
2	Plug & seat kit
3	Rebuild kit
4	Cover gasket
5	Spring
6	Seat tool (to remove seat from main valve body)
7	Bleed orifice

Pressure/temperature regulators, pilot-operated

Series 2100 main valve with threaded NPT connections

Ordering information

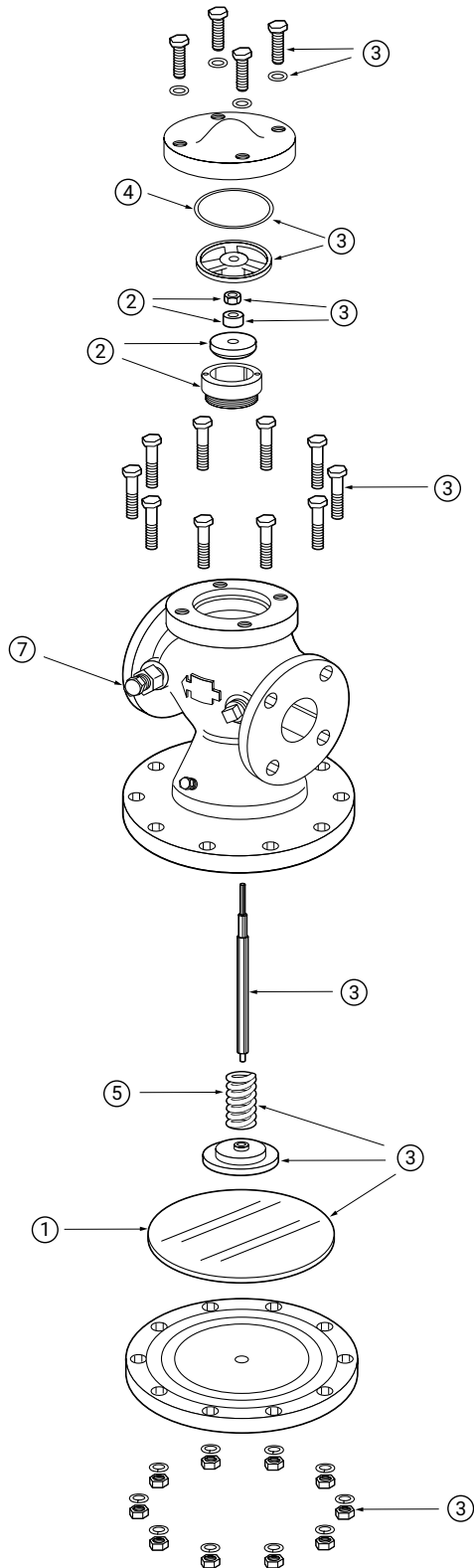
Model number	NPT	Item 1 diaphragms part number	Item 2 plug and seat part number	Item 3 rebuild kit part number	Item 4 cover gasket part number	Item 5 spring part number	Item 6 seat tool part number	Item 7 bleed orifice part number
2100FP	½	600202	—	699929	602240	600089	—	600215
2100NP	½	600202	—	699929	602240	600089	—	600215
2100RP	½	600202	—	699929	602240	600089	—	600215
2100FP	¾	600202	—	699929	602240	600089	—	600215
2100NP	¾	600202	—	699929	602240	600089	—	600215
2100RP	¾	600202	—	699929	602240	600089	—	600215
2100FP	1	600202	699936	699929	602240	600089	—	600215
2100NP	1	600202	—	699929	602240	600089	—	600215
2100RP	1	600202	—	699929	602240	600089	—	600215
2100FP	1¼	602233	—	699939	600020	—	601230	600215
2100NP	1¼	602233	—	699939	600020	—	601230	600215
2100RP	1¼	602233	—	699939	600020	—	601230	600215
2100FP	1½	602233	699943	699939	600020	—	601230	600215
2100NP	1½	602233	—	699939	600020	—	601230	600215
2100RP	1½	602233	—	699939	600020	—	601230	600215
2100FP	2	602217	—	699946	600023	—	601230	600215
2100NP	2	602217	699943	699946	600023	—	601230	600215
2100RP	2	602217	—	699946	600023	—	601230	600215

Model number	NPT	Item 1 diaphragms part number	Item 2 plug and seat part number	Item 3 rebuild kit part number	Item 4 cover gasket part number	Item 5 spring part number	Item 6 seat tool part number	Item 7 bleed orifice part number
2150	¾	—	699933	—	602240	—	—	600215
2150	1	—	—	—	602240	—	—	600215
2150	1¼	600406	699943	699971	600020	—	601230	600215
2150	1½	600406	—	699971	600020	—	601230	600215
2150	2	699976	699975	699974	600023	600080	600135	600215

Pressure/temperature regulators, pilot-operated

Series 2200 main valve

Series 2300 main valve



Service kit contents

Item	Description
1	Diaphragms
2	Plug & seat kit
3	Rebuild kit
4	Cover gasket
5	Spring
6	Seat tool (to remove seat from main valve body)
7	Bleed orifice

Pressure/temperature regulators, pilot-operated

Series 2200 main valve with 125 psi flange connection

Series 2300 main valve with 250 psi flange connection

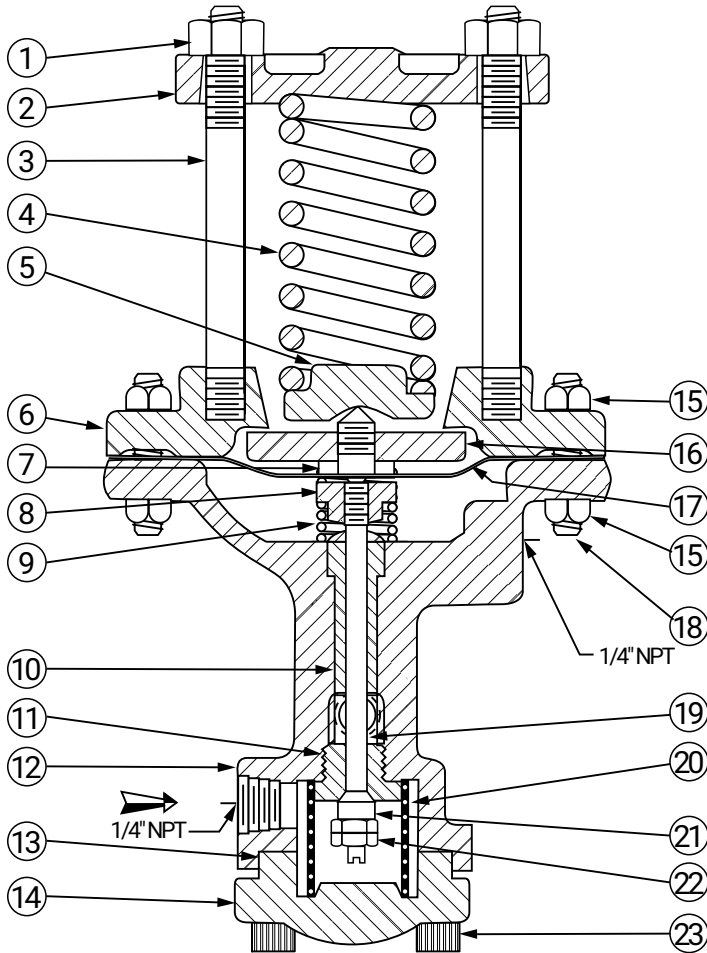
Ordering information

Model number 125 flange	Model number 250 flange	Size in. (mm)	Item 1 diaphragms part number	Item 2 plug and seat part number	Item 3 rebuild kit part number	Item 4 cover gasket part number	Item 5 spring part number	Item 6 seat tool part number	Item 7 bleed orifice part number
2200FP	2300FP	2 (50)	602217	—	699946	600023	—	601230	600215
2200NP	2300NP	2 (50)	602217	699943	699946	600023	—	601230	600215
2200RP	2300RP	2 (50)	602217	—	699946	600023	—	601230	600215
2200FP	2300FP	2½ (65)	600403	699951	699950	602235	—	601338	600215
2200NP	2300NP	2½ (65)	600403	—	699950	602235	—	601338	600215
2200RP	2300RP	2½ (65)	600403	—	699950	602235	—	601338	600215
2200FP	2300FP	3 (80)	600206	699955	699954	600208	600085	601338	600215
2200NP	2300NP	3 (80)	600206	699951	699954	600208	600085	601338	600215
2200RP	2300RP	3 (80)	600206	—	699954	600208	600085	601338	600215
2200FP	2300FP	4 (100)	602212	699959	699958	602231	602213	601420	600215
2200NP	2300NP	4 (100)	602212	699960	699958	602231	602213	601420	600215
2200RP	2300RP	4 (100)	602212	—	699958	602231	602213	601420	600215
2200FP	2300FP	6 (150)	699966	—	699962	601190	—	—	600215
2200NP	2300NP	6 (150)	699966	—	699962	601190	—	—	600215
2200RP	2300RP	6 (150)	699966	—	699962	601190	—	—	600215

Model number 125 flange	Size in. (mm)	Item 1 diaphragms part number	Item 2 plug and seat part number	Item 3 rebuild kit part number	Item 4 cover gasket part number	Item 5 spring part number	Item 6 seat tool part number	Item 7 bleed orifice part number
2250	2 (50)	699976	699975	699974	600023	600080	600135	600215
2250	2½ (65)	600403	699951	699826	602235	—	601338	600215
2250	3 (80)	600206	699955	699827	600208	—	601338	600215
2250	4 (100)	602212	699959	699828	602231	—	601420	600215
2250	6 (150)	699966	—	699829	601190	—	—	600215

Series SPS spring pressure control pilots

For Series 2000 regulators



Pilot contents

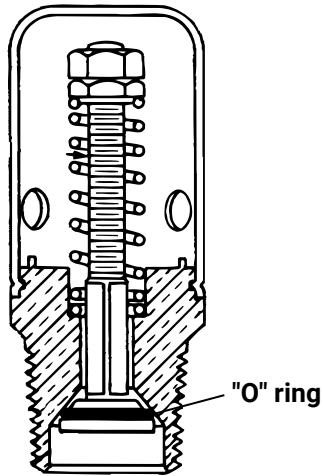
Item	Description
1	Adjusting nut
2	Spring yoke
3	Standard
4	Adjusting spring
5	Spring button
6	Cowl
7	Diaphragm screw *
8	Pusher plate *
9	Valve spring *
10	Bushing
11	Seat ring *
12	Body, bushing, plug
13	Gasket *
14	Blind flange
15	Diaphragm nut
16	Pressure plate *
17	Diaphragm *
18	Diaphragm bolt
19	Stem *
20	Screen *
21	Disc *
22	Stem nut *
23	Blind flange bolt

Part number	Description
600325	SPS adjusting spring - 2 - 30 psig blue
600326	SPS adjusting spring - 5 - 60 psig red
600327	SPS adjusting spring - 20 - 175 psig gold
600329	2000 SPS repair kit (incl. 7, 8, 9, 11, 13, 16, 17, 19 thru 22)

Pressure range psig (bar)	Spring color	Wire diameter in. (mm)
2-30 (0.1-2.0)	Blue	$\frac{3}{16}$ (4)
5-60 (0.3-4.1)	Red	$\frac{1}{4}$ (6)
20-175 (1.4-11.9)	Gold	$\frac{11}{32}$ (9)

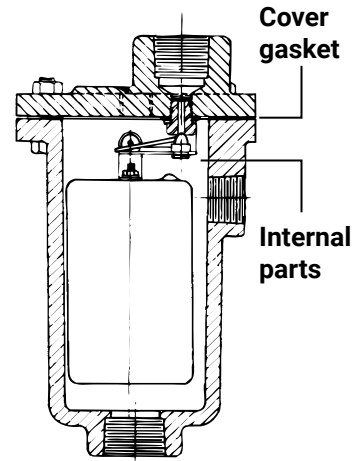
Item	* SPS repair kit consists of:
7	Diaphragm screw (1)
8	Pusher plate (1)
9	Valve spring (1)
11	Seat ring (1)
13	Gasket (1)
16	Pressure plate (1)
17	Diaphragm (3) (use only 2 pcs on SPS-30 and SPS-60)
19	Stem (1)
20	Screen (1)
21	Disc (1)
22	Stem nut (2)

Vacuum breakers, drain valves & water vents



**Model 62
Vacuum breaker**

"O" ring part no. 601313

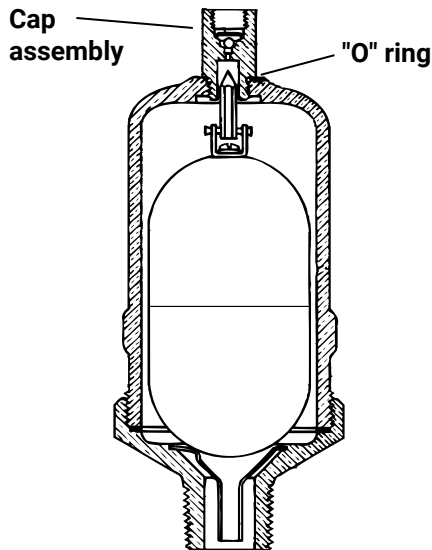


**Model 792
High pressure water vent valve**

Cover gasket part no. 601273

Internal parts kit part no. 600204
(includes pin, seat, lever arm, yoke, cotter pin,
cover gasket and internal connecting hardware)

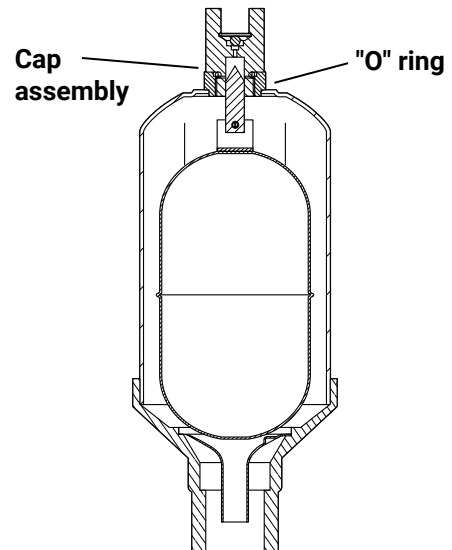
Float 600247



**Model 78
Water main vent valve**

"O" ring part no. 600164
(package of 6)

Internal parts kit part no. 601402
(includes cap assembly, "o" ring for base and valve pin)

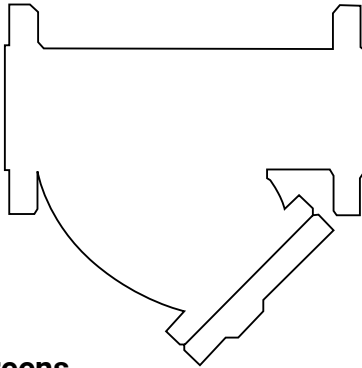


**Model 79
Water main vent valve**

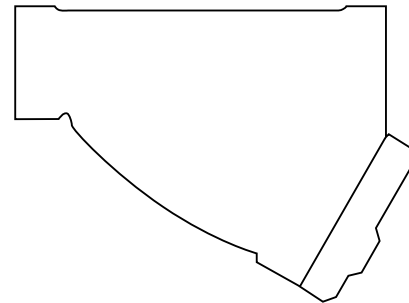
"O" ring part no. 600164
(package of 6)

Y-strainers

Flanged end y-strainer



Screwed NPT end y-strainer



Strainer screens

Model	NPT	Screen material	Screen dims. OD x length – in. (mm)	Part number
415C	½	20 mesh type 304 SS	¾ x 2 ³ / ₈ (19 x 60)	601297
	¾	20 mesh type 304 SS	1 ⁵ / ₁₆ x 2 ⁵ / ₈ (24 x 67)	601303
	1	20 mesh type 304 SS	1¼ x 3 ¹⁹ / ₆₄ (32 x 84)	601306
	1¼	20 mesh type 304 SS	1 ⁷ / ₁₆ x 3 ¹⁵ / ₁₆ (37 x 100)	601327
	1½	20 mesh type 304 SS	1 ⁵ / ₈ x 3 ¹¹ / ₁₆ (41 x 94)	601330
	2	20 mesh type 304 SS	2 ⁵ / ₁₆ x 5¼ (59 x 133)	601333
	2½	.062 perf type 304 SS	2 ¹¹ / ₁₆ x 6½ (68 x 165)	602228
	3	.062 perf type 304 SS	3 ⁵ / ₁₆ x 7 ¹ / ₁₆ (84 x 179)	601336
420C	½	20 mesh type 304 SS	5 ⁸ / ₁₆ x 1¼ (16 x 32)	601339
	¾	20 mesh type 304 SS	1 ³ / ₁₆ x 1 ⁹ / ₁₆ (21 x 40)	601236
	1	20 mesh type 304 SS	1 ¹ / ₈ x 2 ¹ / ₈ (29 x 54)	601238
	1¼	20 mesh type 304 SS	1 ³ / ₈ x 2 ³ / ₈ (35 x 60)	601239
	1½	20 mesh type 304 SS	1 ⁵ / ₈ x 2 ¹³ / ₁₆ (41 x 71)	601241
	2	20 mesh type 304 SS	2 x 3 ¹³ / ₁₆ (51 x 97)	601205
	2½	.062 perf type 304 SS	2½ x 4 ³ / ₈ (64 x 111)	601342
	3	.062 perf type 304 SS	3 ¹ / ₈ x 4½ (79 x 114)	601242
460A, 460B	1½	.033 perf. type 304 SS	1 ⁵ / ₈ x 4 ¹ / ₁₆ (41 x 103)	601331
	2	.033 perf. type 304 SS	2 ³ / ₁₆ x 5 ³ / ₈ (56 x 137)	601345
	2½	.033 perf. type 304 SS	2 ³ / ₄ x 6 ³ / ₈ (70 x 162)	601348
	3	.033 perf. type 304 SS	3 ³ / ₁₆ x 8 (81 x 203)	601351
	4	.033 perf. type 304 SS	4 x 9 ¹³ / ₁₆ (102 x 249)	601354
	5	.045 perf. type 304 SS	5½ x 12 ¹ / ₈ (140 x 308)	601357
	6	.045 perf. type 304 SS	6½ x 13 ⁵ / ₈ (165 x 346)	601360
	8	.045 perf. type 304 SS	8½ x 14½ (216 x 368)	601363
450C	1½	.033 perf. type 304 SS	1 ⁵ / ₈ x 4 ¹ / ₁₆ (41 x 103)	601331
	2	.033 perf. type 304 SS	2 ¹ / ₈ x 5 ⁵ / ₁₆ (54 x 135)	601244
	2½	.033 perf. type 304 SS	2 ¹¹ / ₁₆ x 6½ (68 x 165)	601245
	3	.033 perf. type 304 SS	3 ⁵ / ₁₆ x 7 ¹ / ₁₆ (84 x 179)	601248
	4	.033 perf. type 304 SS	4 ¹ / ₁₆ x 9 (103 x 229)	601250
	5	.045 perf type 304 SS	5 ¹ / ₁₆ x 11 ³ / ₄ (129 x 299)	601251
	6	.045 perf type 304 SS	5 ⁷ / ₈ x 13 ⁵ / ₈ (149 x 346)	601289
	8	.045 perf type 304 SS	7 ¹³ / ₁₆ x 16 ³ / ₄ (198 x 426)	601253

Xylem Inc.

8200 N. Austin Avenue

Morton Grove, Illinois 60053

Phone: (847) 966-3700

Fax: (847) 965-8379

www.xylem.com/bellgossett

Subject to change without notice. All information presented herein is believed reliable and in accordance with accepted engineering practices. Xylem makes no warranties as to the completeness of this information. Users are responsible for evaluating individual product suitability for specific applications. Xylem assumes no liability whatsoever for any special, indirect or consequential damages arising from the sale, resale or misuse of its products.

© 2025 Bell & Gossett is a registered trademark of Xylem Inc. or one of its subsidiaries. All other trademarks or registered trademarks are property of their respective owners.

HS-800F 6/2025

The logo for Xylem, featuring the word "xylem" in a lowercase, bold, sans-serif font.