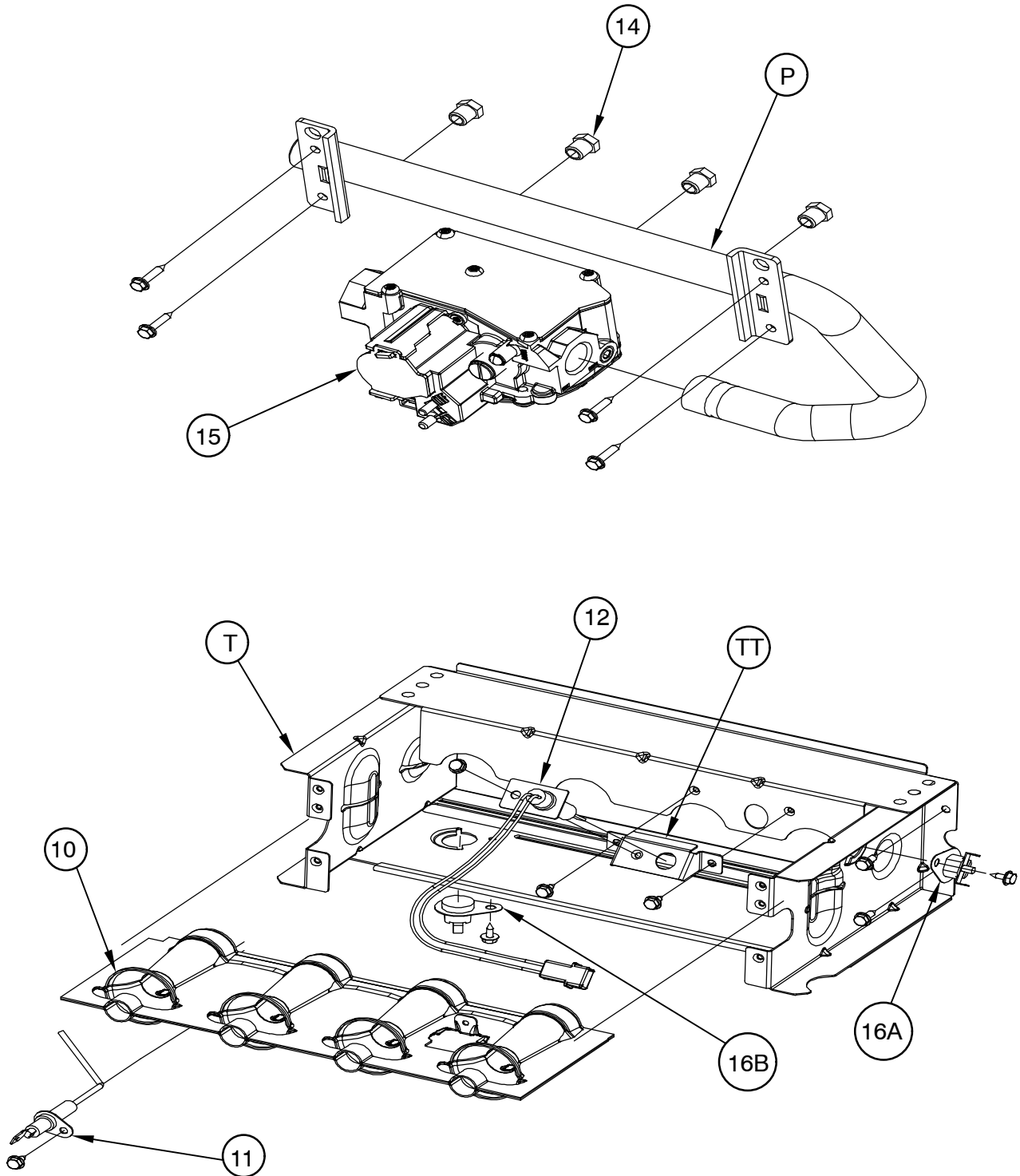


PARTS DIAGRAM

NOTE: This illustration is for reference only. Your unit may differ in appearance or may not include all components shown.



9MAC-2

PARTS LIST

KEY NO.	DESCRIPTION	FAST PARTS NO.	N9MSE									
			0401410A1	0601410A1	0601714A1	0801716A1	0802120A1	1002114A1	1002120A1	1202420A1	1402420A1	
01	HT EX PRIM 2 CELL ALUM	1185579	1	-	-	-	-	-	-	-	-	-
01	HT EX PRIM 3 CELL ALUM	1184816	-	1	-	-	-	-	-	-	-	-
01	HT EX PRIM 3 CELL ALUM	1185580	-	-	1	-	-	-	-	-	-	-
01	HT EX PRIM 4 CELL ALUM	1185581	-	-	-	1	1	-	-	-	-	-
01	HT EX PRIM 5 CELL ALUM	1185582	-	-	-	-	-	1	1	-	-	-
01	HT EX PRIM 6 CELL ALUM	1185583	-	-	-	-	-	-	-	1	-	-
01	HT EX PRIM 7 CELL ALUM	1184817	-	-	-	-	-	-	-	-	-	1
02	HT EX SEC	1185569	1	-	-	-	-	-	-	-	-	-
02	HT EX SEC	1184818	-	1	-	-	-	-	-	-	-	-
02	HT EX SEC	1184501	-	-	1	1	-	-	-	-	-	-
02	HT EX SEC	1184819	-	-	-	-	1	-	-	-	-	-
02	HT EX SEC	1184502	-	-	-	-	-	1	1	-	-	-
02	HT EX SEC	1184503	-	-	-	-	-	-	-	1	-	-
02	HT EX SEC	1184820	-	-	-	-	-	-	-	-	-	1
03	WHEEL BLOWER	1185573	1	1	-	-	-	-	-	-	-	-
03	WHEEL BLOWER 11 X 8	1177180	-	-	1	1	-	-	-	-	-	-
03	WHEEL DD11x10x1/2 CW CV	1172129	-	-	-	-	1	1	1	-	-	-
03	WHEEL BLOWER 11 X 11	1176937	-	-	-	-	-	-	-	1	1	-
05	MTR BLR	1184660	1	1	-	-	-	-	-	-	-	-
05	MTR BLR	1184661	-	-	1	-	-	-	-	-	-	-
05	MTR BLR	1184663	-	-	-	1	-	-	-	-	-	-
05	MTR BLR	1184665	-	-	-	-	1	-	1	-	-	-
05	MTR BLR	1184664	-	-	-	-	-	1	-	-	-	-
05	MTR BLR	1184662	-	-	-	-	-	-	-	1	1	-
06	CAP RN OV 370V 15 X	1171730	1	1	1	-	-	1	-	-	-	-
06	CAP RN OV 370V 20 MFD	1176131	-	-	-	1	-	-	-	-	-	-
06	CAPACITOR	1184778	-	-	-	-	1	-	1	1	1	-
07	TRANSFORMER ASY	1177217	1	1	1	1	1	1	1	1	1	1
08	BOARD CONTROL	1184594	1	1	1	1	1	1	1	1	1	1
09	SWITCH DOOR S	1171981	1	1	1	1	1	1	1	1	1	1
10	BURNER ASY	1185566	1	-	-	-	-	-	-	-	-	-
10	BURNER ASY	1184318	-	1	1	-	-	-	-	-	-	-
10	BURNER ASY	1184319	-	-	-	1	1	-	-	-	-	-
10	BURNER ASY	1184320	-	-	-	-	-	1	1	-	-	-
10	BURNER ASY	1184821	-	-	-	-	-	-	-	1	1	-
11	SENSOR FLAME	1184322	1	1	1	1	1	1	1	1	1	1
12	IGNITOR	1176919	1	1	1	1	1	1	1	1	1	1
14	ORIFICE	1185574	2	3	3	4	4	5	5	6	7	-
15	VALVE GAS	1184393	1	1	1	1	1	1	1	1	1	1
16A	SWITCH LIMIT 350 F	1177033	1	1	1	2	2	2	2	2	2	-
16B	TEMP SWITCH ROLL-OUT	1184323	1	1	1	-	-	-	-	-	-	-
17	SWITCH MAIN LIMIT	1184423	1	1	-	-	-	-	-	-	-	-
17	SWITCH MAIN LIMIT	1184421	-	-	1	-	-	1	1	-	-	-
17	SWITCH MAIN LIMIT	1184422	-	-	-	1	-	-	-	-	-	-
17	SWITCH ASY MAIN LIMIT	1184879	-	-	-	-	1	-	-	-	-	-
17	SWITCH MAIN LIMIT	1184424	-	-	-	-	-	-	-	1	1	-
18	INDUCER ASY	1185586	1	-	-	-	-	-	-	-	-	-
18	INDUCER ASY	1185587	-	1	1	1	1	-	-	-	-	-
18	INDUCER ASY	1185588	-	-	-	-	-	1	1	1	-	-
18	INDUCER ASY	1184822	-	-	-	-	-	-	-	-	-	1
20	VENT ELBOW	1184313	1	1	1	1	1	1	1	1	1	1
23	TRAP ASY CONDENSING	1184288	1	1	1	1	1	1	1	1	1	1
26	SWITCH PRESSURE	1184413	1	1	1	-	-	-	-	-	-	-
26	SWITCH PRESSURE	1184414	-	-	-	1	-	-	-	-	-	-
26	SWITCH PRESSURE	1184415	-	-	-	-	1	1	1	1	1	-
27	LATCH DOOR	1184521	4	4	4	4	4	4	4	4	4	4

- continued on next page -