

75 VA Transformer

HCT Series



Transformers change one AC voltage to another by magnetic induction. Hartland Controls produces transformers with primary and secondary voltage up to 250 VA. Our heavy-duty transformers are used in a variety of applications, including HVAC, water pumps, pool and spa, food service and electronics. We carry extensive inventory to meet delivery schedules.

Features

- UL/CUL recognized 5085—File No. E223730
- Non-inherently limited
- Secondary fusing required
- Multiple mounting and termination options available, contact us for more information.

We can custom engineer a solution to meet any need. Just ask.

815.626.5170 | HartlandControls.com

Specifications

Wire Size

All leads are 18 AWG stranded
2/64" insulation thickness

Quick Connect Size

Standard male quick connect terminals
are .250" x .032"

Frequency

50/60 Hz

Insulation System

130°C Class B

Unit Weight

75 VA 40 oz

75 VA Transformer

HCT Series

Color	Black	White	Red	Orange	Brown	Black/Red	Grey
Lead Length	12"	12"	12"	12"	12"	12"	12"
Strip Length	1/2"	1/2"	1/2"	1/2"	1/2"	1/2"	1/2"

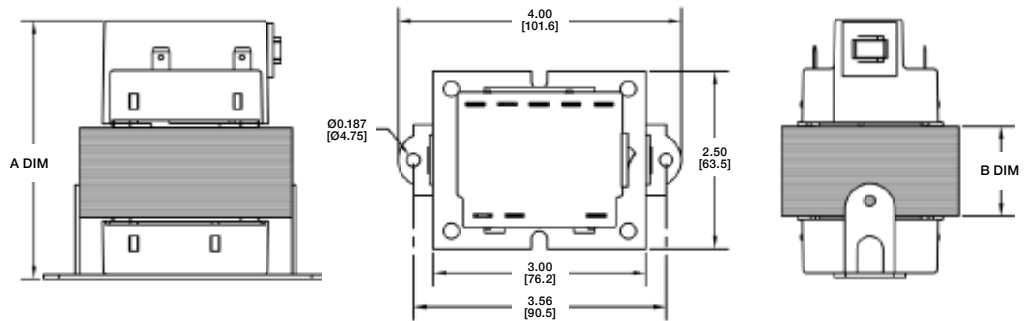
Color	Blue	Yellow
Lead Length	12"	12"
Strip Length	1/2"	1/2"

Dimensions (inches [mm])

Quick Connect Models

A DIM	3.30	3.45
B DIM	1.00	1.15

J resembles circuit breaker and
H resembles internal fuse



Multiple mounting and termination options available, contact us for more information.