



Installation Instructions for your new

RAK3153A, RAK3203A, RAK3303A

Power Supply Kit for Cord Connection with Current Interruption Device

*Before you begin - Read these instructions completely and carefully.
IMPORTANT - OBSERVE ALL GOVERNING CODES AND ORDINANCES.
Note to Installer - Be sure to leave these instructions with the Consumer.
Note to Consumer - Keep these instructions with your Owner's Manual for future reference.*

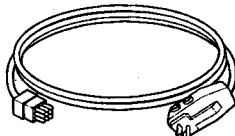
TOOLS NEEDED

- Phillips screwdriver

- This kit is for use with 230/208 volt 2800, 2900, 3800, 3900, 4100, 5200, 5500, 5800 and 6100 Series GE Zoneline units only.

230/208 VOLT ELECTRICAL SUPPLY

A power supply kit must be used to supply power to the Zoneline unit. The appropriate kit is determined by the voltage, the means of electrical connection, and the amperage of the branch circuit. See the POWER CONNECTION CHART to confirm the appropriate kit.



Appearance may vary.
Power supply kit

All wiring, including installation of the receptacle, must be in accordance with the NEC and local codes, ordinances, and regulations.



Tandem
15 Amp



Perpendicular
20 Amp



Large Tandem
30 Amp

230/208 volt receptacle configuration

⚠ WARNING: RISK OF ELECTRIC SHOCK.
Disconnect the electrical power supply before wiring connections.

IMPORTANT NOTES

- Unit must be installed on a grounded circuit.
- The electrical rating marked on the power supply kit must be the same as the supply branch circuit.
- Aluminum building wiring may present special problems—consult a qualified electrician.
- All wiring, including installation of the receptacle, must be in accordance with the NEC and local codes, ordinances, and regulations.
- Orient receptacle so cord is pointing down.
- Use ONLY the wiring size recommended for single outlet branch circuit.
- Proper current protection is the responsibility of the owner.

Recommended branch circuit wire sizes*

Nameplate maximum circuit breaker size	AWG wire size**
15A	14
20A	12
30A	10

AWG - American Wire Gauge

* Single circuit breaker from main box

** Based on copper wire, single-insulated conductor at 60°C

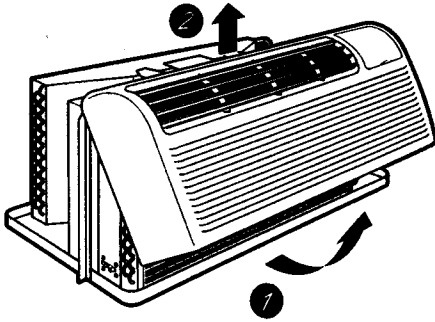
NOTE: Use copper conductors only.

POWER CONNECTION CHART

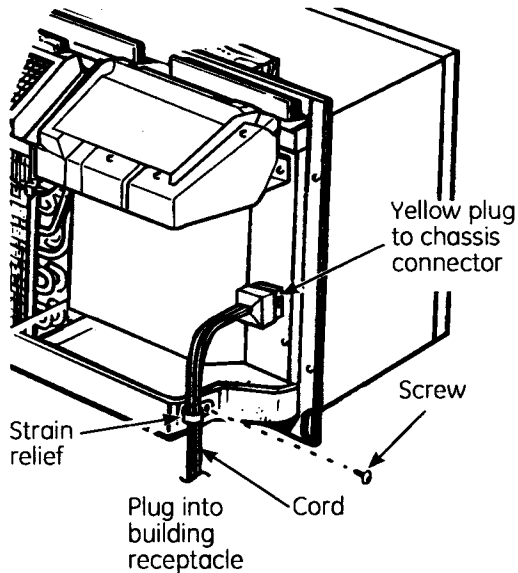
GE 230/208 Volt Power Supply Kit	Wall Plug Configuration	Circuit Protective Device
RAK3153A	Tandem	15-Amp Time-Delay Fuse or Breaker
RAK3203A	Perpendicular	20-Amp Time-Delay Fuse or Breaker
RAK3303A	Large Tandem	30-Amp Time-Delay Fuse or Breaker

FOR 230/208 VOLT POWER CORD CONNECTIONS ONLY

1. Remove the room cabinet by pulling it out at the bottom to release it (1); then lift it up to clear the rail along the unit top (2).



2. Insert the plug into the socket located in the wiring compartment, making sure the plug is firmly seated and the latches secure the connector assembly.



3. Position the cord and install the strain relief and screw as shown.
4. Reinstall the room cabinet front by positioning on the top brackets and securing the sides to the unit.
5. Install the attachment plug cap into the wall receptacle and check the Zonline operation.

Test the Current Interrupter

These kits include a Leakage Current Detection Interrupter (LCDI) device. These Current Interruption (CI) devices comply with Underwriters Laboratories (UL) 1699 and National Electrical Code (NEC), section 440.65 and are not required to function as Ground Fault Circuit Interrupters (GFCI).

1. Set the Zonline unit to operate in Low Fan mode and verify operation.
2. Press the Test button. Reset button should pop out with a click. Unit should shut down with no power.
3. If Test button does not trip and remove power from unit when depressed, contact a qualified service technician.
4. Press the Reset button. Test button should pop out with a click and unit should resume operation.
Due to the Random Restart feature, there is a planned 2 to 25 second delay in the restart of the Zonline.
5. If unit does not operate, repeat steps 2 through 4.
6. If unit still does not operate, contact a qualified service technician.
7. Test the current interrupter device on a periodic basis.