



# Installation instructions for your new

# RAK3152, RAK3202, RAK3302 Power Supply Kit for Cord

Before you begin – Read these instructions completely and carefully.  
**IMPORTANT – OBSERVE ALL GOVERNING CODES AND ORDINANCES.**  
 Note to Installer – Be sure to leave these instructions with the Consumer.  
 Note to Consumer – Keep these instructions with your Owner's Manual for future reference.

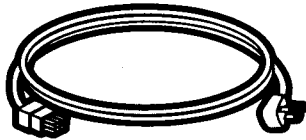
### TOOLS NEEDED

- Phillips screwdriver

- This kit is for use with 230/208 volt Vertical Series GE Zonline units only.

### 230/208 VOLT ELECTRICAL SUPPLY

A power supply kit must be used to supply power to the Zonline unit. The appropriate kit is determined by the voltage, the means of electrical connection, and the amperage of the branch circuit. See the POWER CONNECTION CHART to confirm the appropriate kit.

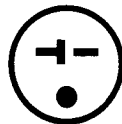


Power supply kit

All wiring, including installation of the receptacle, must be in accordance with the NEC and local codes, ordinances, and regulations.



**Tandem**  
15 Amp



**Perpendicular**  
20 Amp



**Large Tandem**  
30 Amp

230/208 volt receptacle configuration

**⚠ WARNING:** RISK OF ELECTRIC SHOCK.  
Disconnect the electrical power supply before wiring connections.

### IMPORTANT NOTES

- This unit must be properly connected to a grounded circuit.
- The electrical rating marked on the power supply kit must be the same as the supply branch circuit.
- Aluminum building wiring may present special problems—consult a qualified electrician.
- All wiring, including installation of the receptacle, must be in accordance with the NEC and local codes, ordinances, and regulations.
- Use ONLY the wiring size recommended for single outlet branch circuit.
- Proper current protection is the responsibility of the owner.

#### Recommended branch circuit wire sizes\*

Nameplate maximum circuit breaker size	AWG wire size**
15A	14
20A	12
30A	10

AWG – American Wire Gauge

\* Single circuit breaker from main box

\*\* Based on copper wire, single-insulated conductor at 60°C

**NOTE:** Use copper conductors only.

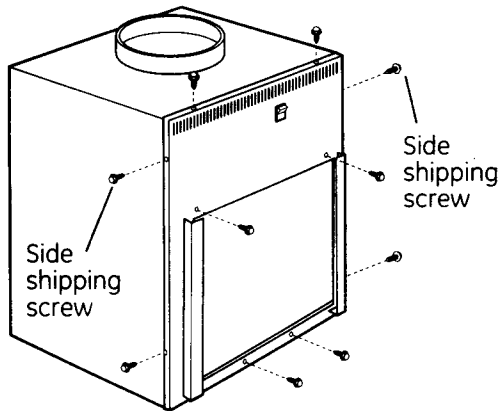
### POWER CONNECTION CHART

GE 230/208 Volt Power Supply Kit	Wall Plug Configuration	Circuit Protective Device
RAK3152	Tandem	15-Amp Time-Delay Fuse or Breaker
RAK3202	Perpendicular	20-Amp Time-Delay Fuse or Breaker
RAK3302	Large Tandem	30-Amp Time-Delay Fuse or Breaker

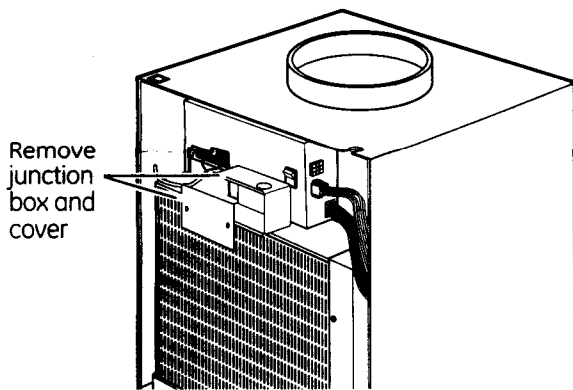
# FOR 230/208 VOLT POWER CORD CONNECTIONS ONLY

## FOR VERTICAL SERIES MODELS ONLY

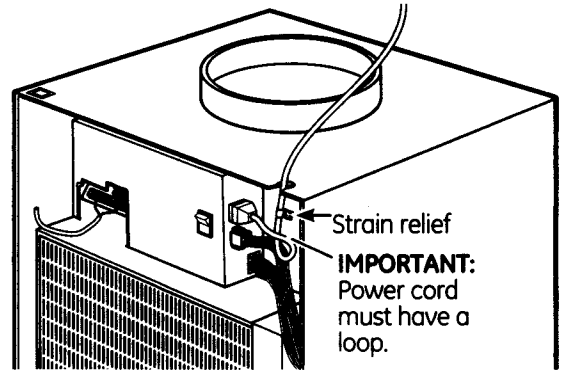
1. Remove the front panel by removing the filter, taking out the four front screws, the upper two screws from the top of the panel, and the shipping screws on each side, if present.



2. Remove the junction box cover and the junction box and discard.



3. Connect the power cord, with a loop, through the strain relief.



4. Replace the case front panel by replacing the four front screws and the two top screws. Replace the filter.