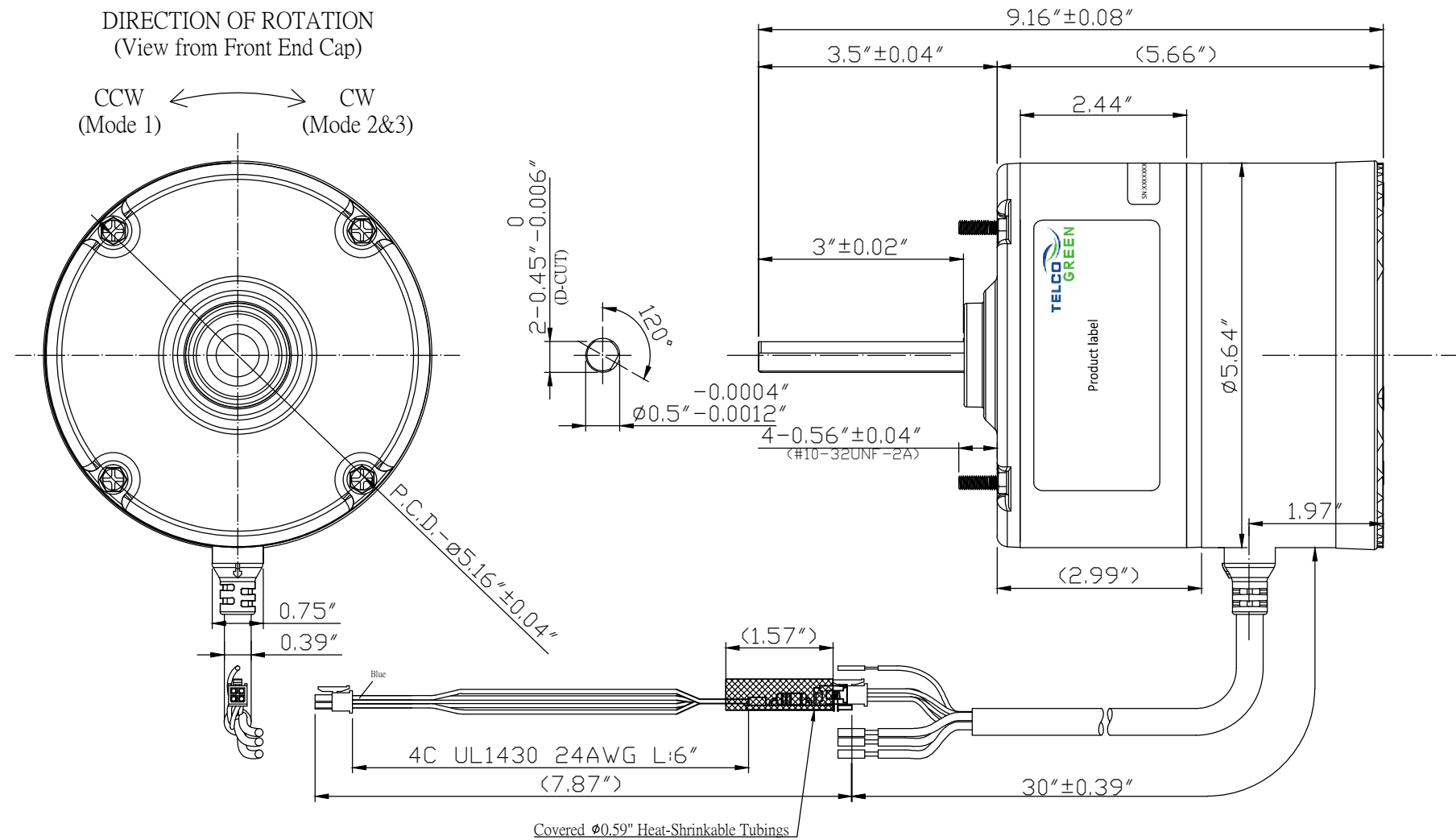


VOLTAGE	INSULATION	HP	TORQUE	RPM	DIRECTION
115 VAC	B	1/2	20.2 kg-cm (23.4 oz-ft)	1800	CW/CCW

REV	DESCRIPTION	DRAWN	DATE	ECN
-	INITIAL RELEASE ECM + INTERFACE BOARD ASSEMBLY	J.C	10/27/17	-



- NOTES
1. Frame: NEMA 48 Motor
 2. Surface Treatment of Shaft: Electroplated with Nickel Plating
 3. Weight: 4.5 kg
 4. Bearings: Ball Bearing, Permanently Lubricated
 5. Safety Certificate: ETL-Electrical Testing Laboratories
 6. IP Rating: IP 54
 7. Motor Temp.: Operating -20 °C to 40 °C / Storage -30 °C to 85 °C
 8. REL. Humidity: 5 % to 95 %
 9. Input Voltage Range: 108 - 125 VAC
 10. Frequency: 50 / 60 Hz
 11. Speed Range: 300 - 1800 RPM
 12. Checksum Version: 90873
 13. Motor Protection: Under Voltage Detection
Over Current Protection
Locked-Rotor Protection
Torque Limit Protection

Housing: H6630R1-04
Terminal: 6630TP
SCALE: 3:1

Wire No.	Wire AWG	Function
1	#24/Blue	FG-L
2	#24/Orange	FG-H
3	#24/Yellow	PWM-L
4	#24/Red	PWM-H
5	#16/Black	AC:L1
6	#16/White	AC:L2
7	#16/G/Y	GROUND
8	#22/White	CW/CCW

Mode 1 CCW, Mode 2 CW, Mode 3 CW

APPROVED BY<PRINT>: **Joshua Hess**
 SIGNATURE: *Joshua Hess*
 TITLE: **R&D Engineer**
 DATE: **11/16/2017**

TOLERANCE		DECIMALS	NAME	DATE
.X	-	DRAWN BY	J.C	10/27/17
.XX	-	REVIEWED BY	J.C	10/27/17
.XXX	-	APPROVED BY		
ANGULAR	-	PROPRIETARY AND CONFIDENTIAL THE INFORMATION CONTAINED IN THIS DRAWING IS THE SOLE PROPERTY OF <TELCO INTERCONTINENTAL CORP>. ANY REPRODUCTION IN PART OR AS A WHOLE WITHOUT THE WRITTEN PERMISSION OF <TELCO INTERCONTINENTAL CORP> IS PROHIBITED		
UNIT	inch			
PROJECTION	THIRD ANGLE			

		TITLE	NEMA48 1/2 HP EC MOTOR		
		PART. NO.	BMN48-375I1-ES-IBA-CA		
STAGE	PRODUCTION	REV	-		