

FOR QUESTIONS, CALL THE
 FLD AIRE NATIONAL
 REGION 22
 PHONE: (610) 239-8405
 EMAIL: courtney.hardin@floaire.com

PATENT NUMBERS

AC-PSP (UNITED STATES) - US PATENT 7963830 B2.
 AC-PSP WALL (CANADA) - CA PATENT 2820509.
 AC-PSP ISLAND (CANADA) - CA PATENT 2520330.

HOOD INFORMATION - JOB#5910195

HOOD NO	TAG	MODEL	MANUFACTURER	LENGTH	MAX COOKING TEMP	TYPE	APPLIANCE DUTY	DESIGN CFM/FT	TOTAL EXH CFM	EXHAUST PLENUM RISER(S)						TOTAL SUPPLY CFM	HOOD CONSTRUCTION	HOOD CONFIG		
										WIDTH	LENG	HEIGHT	DIA	CFM	VEL			SP	END TO END	RDW
1	6' Heated	5424 FX-2-PSP-F	FLDAIRE	6' 0"	600 DEG	I	HEAVY	234	1404	10'	13'	4'		1404	1555	-0.852'	1123	430 SS WHERE EXPOSED	ALDNE	ALDNE

HOOD INFORMATION

HOOD NO	TAG	FILTER(S)					LIGHT(S)			UTILITY CABINET(S)				FIRE SYSTEM PIPING	HOOD HANGING WEIGHT		
		TYPE	QTY	HEIGHT	LENGTH	EFFICIENCY @ 7 MICRONS	QTY	TYPE	WIRE GUARD	LOCATION	SIZE	FIRE SYSTEM TYPE	ELECTRICAL MODEL #			SWITCHES QUANTITY	
1	6' Heated	CAPTRATE SOLD FILTER	4	16"	16"	85% SEE FILTER SPEC	2	L55 SERIES E26	NO	RIGHT	12"x54"x24"			SC-111110MA	1 LIGHT 1 FAN	NO	545 LBS

HOOD OPTIONS

HOOD NO	TAG	OPTION
1	6' Heated	RIGHT VERTICAL END PANEL 27' TOP WIDTH, 21' BOTTOM WIDTH, 80' HIGH INSULATED 430 SS.
		LEFT VERTICAL END PANEL 27' TOP WIDTH, 21' BOTTOM WIDTH, 80' HIGH INSULATED 430 SS.
		SENSOR-CV.

PERFORATED SUPPLY PLENUM(S)

HOOD NO	TAG	POS	LENGTH	WIDTH	HEIGHT	TYPE	RISER(S)				
							WIDTH	LENG	DIA	CFM	SP
1	6' Heated	Front	84'	14'	6'	MUA	10"	28"		561	0.147'
						MUA	10"	28"		561	0.147'

SPECIFICATION: CAPTRATE® GREASE-STOP® SOLD FILTER

THE CAPTRATE GREASE-STOP SOLD FILTER IS A SINGLE-STAGE FILTER FEATURING A UNIQUE S-Baffle DESIGN IN CONJUNCTION WITH A SLOTTED REAR Baffle DESIGN, TO DELIVER EXCEPTIONAL FILTRATION EFFICIENCY.

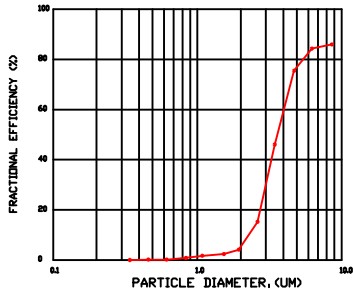
FILTER IS STAINLESS STEEL CONSTRUCTION, AND SIZED TO FIT INTO STANDARD 2-INCH DEEP HOOD CHANNEL(S).

UNITS SHALL INCLUDE STAINLESS STEEL HANDLES AND A FASTENING DEVICE TO SECURE THE TWO COMPONENTS WHEN ASSEMBLED.

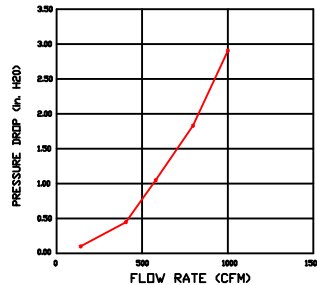
GREASE EXTRACTION EFFICIENCY PERFORMANCE SHALL REMOVE AT LEAST 75% OF GREASE PARTICLES FIVE MICRONS IN SIZE, AND 85% GREASE PARTICLES SEVEN MICRONS IN SIZE AND LARGER, WITH A CORRESPONDING PRESSURE DROP NOT TO EXCEED 1.0 INCHES OF WATER GAUGE.

THE CAPTRATE GREASE-STOP SOLD WAS TESTED TO ASTM STANDARD ASTM F2519-05. MANUFACTURER APPROVED FOR USE IN SOLID FUEL APPLICATIONS AS A SPARK ARRESTER.

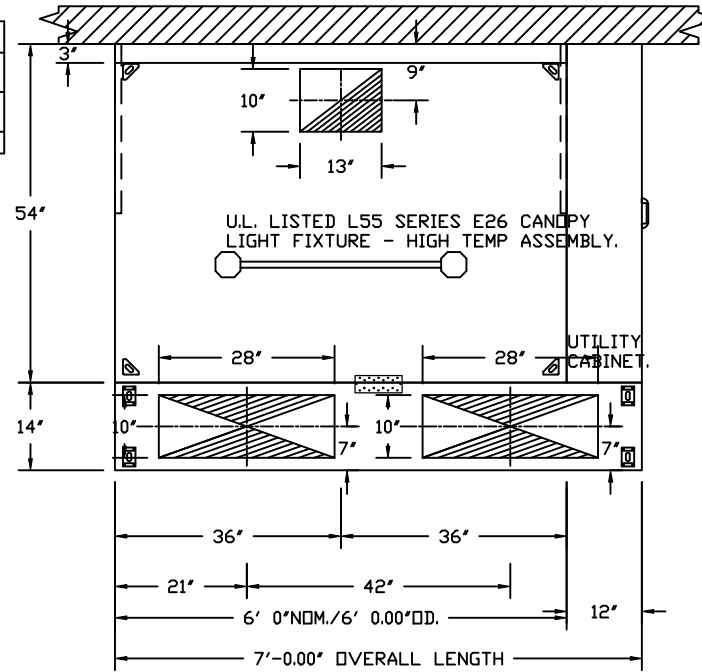
EFFICIENCY VS. PARTICLE DIAMETER



PRESSURE DROP VS. FLOW RATE



CAPTRATE FILTERS ARE BUILT IN COMPLIANCE WITH:
 NFPA #96.
 NSF STANDARD #2.
 UL STANDARD #1046.
 INT. MECH. CODE (IMC).
 ULC-S649.

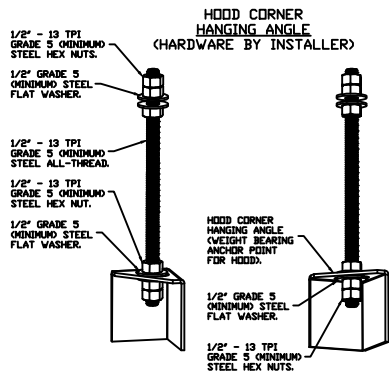


PLAN VIEW - HOOD #1 (6' Heated)
 6' 0.00" LONG 5424FX-2-PSP-F



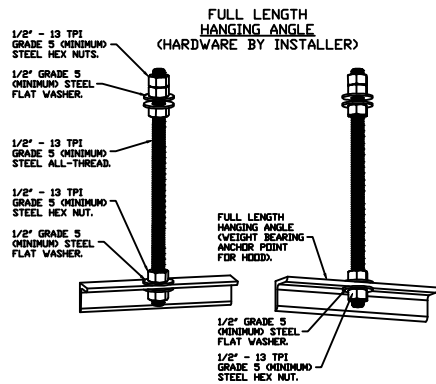
FloAire

JOB 6' Heated UC Right** Hood Stock	
LOCATION	
DATE 3/20/2023	JOB # 5910195
DWG # 1	DRAWN BY courtneyh
REV.	SCALE 3/8" = 1'-0"



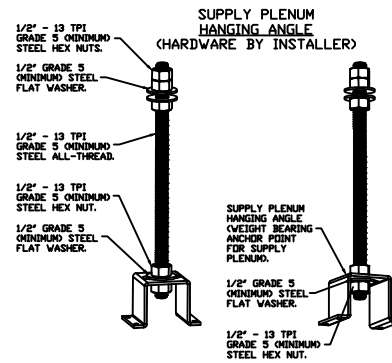
ASSEMBLY INSTRUCTIONS

HANGING ANGLE MUST BE SUPPORTED WITH 1/2" - 13 TPI GRADE 5 (MINIMUM) ALL-THREAD. SANDWICH HANGING ANGLES AND CEILING ANCHOR POINTS WITH 1/2" GRADE 5 (MINIMUM) STEEL FLAT WASHERS AND 1/2" - 13 TPI GRADE 5 (MINIMUM) HEX NUTS AS SHOWN. MUST USE DOUBLED HEX NUT CONFIGURATION BENEATH HOOD HANGING ANGLES AND ABOVE CEILING ANCHORS. MAINTAIN 1/4" OF EXPOSED THREADS BENEATH BOTTOM HEX NUT. TORQUE ALL HEX NUTS TO 57 FT-LBS.



ASSEMBLY INSTRUCTIONS

HANGING ANGLE MUST BE SUPPORTED WITH 1/2" - 13 TPI GRADE 5 (MINIMUM) ALL-THREAD. SANDWICH HANGING ANGLES AND CEILING ANCHOR POINTS WITH 1/2" GRADE 5 (MINIMUM) STEEL FLAT WASHERS AND 1/2" - 13 TPI GRADE 5 (MINIMUM) HEX NUTS AS SHOWN. MUST USE DOUBLED HEX NUT CONFIGURATION ABOVE CEILING ANCHORS. SINGLE HEX NUT BENEATH HANGING ANGLE IS ACCEPTABLE FOR FULL LENGTH HANGING ANGLES. MAINTAIN 1/4" OF EXPOSED THREADS BENEATH BOTTOM HEX NUT. TORQUE ALL HEX NUTS TO 57 FT-LBS.



ASSEMBLY INSTRUCTIONS

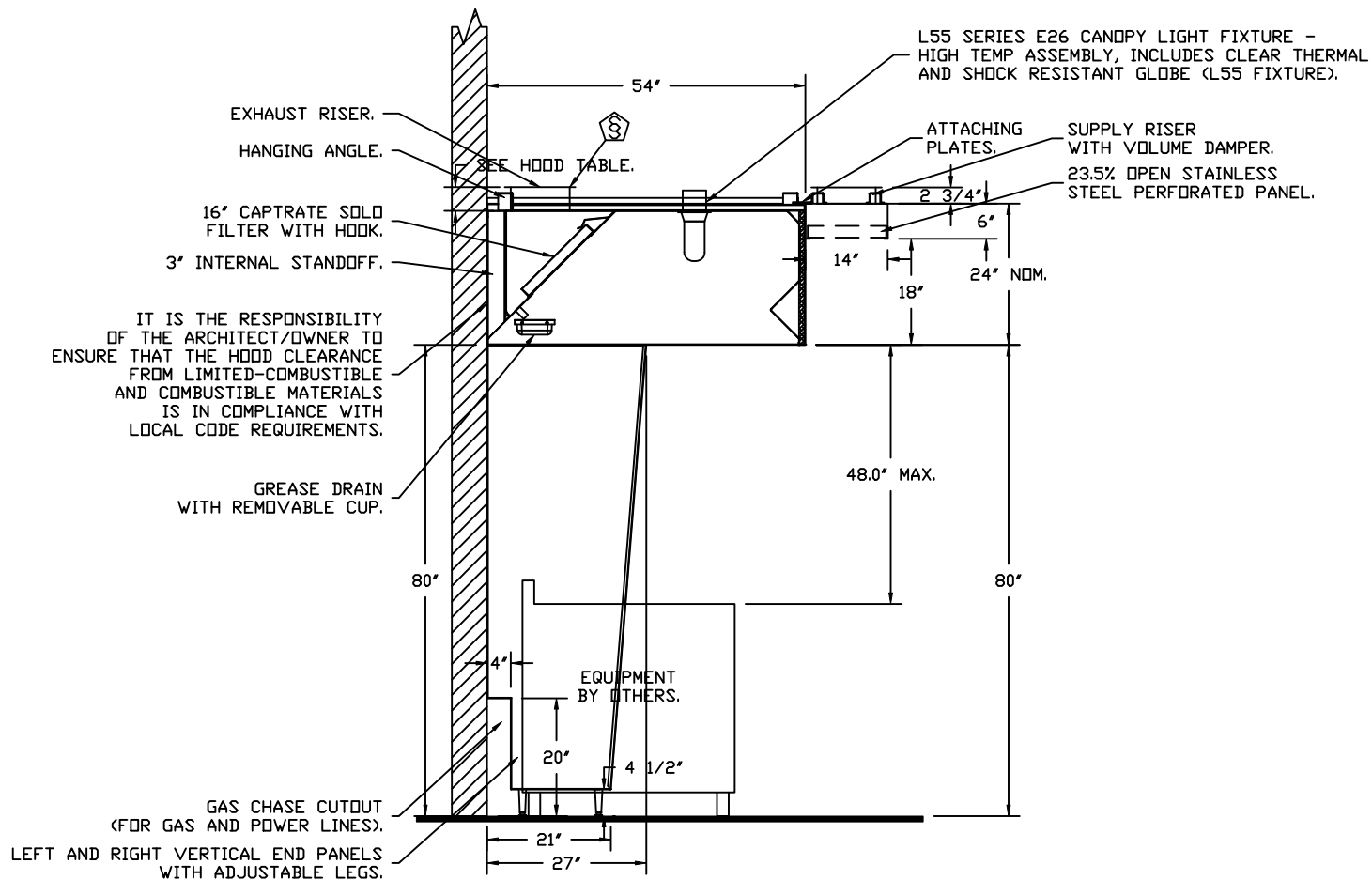
HANGING ANGLE MUST BE SUPPORTED WITH 1/2" - 13 TPI GRADE 5 (MINIMUM) ALL-THREAD. SANDWICH HANGING ANGLES AND CEILING ANCHOR POINTS WITH 1/2" GRADE 5 (MINIMUM) STEEL FLAT WASHERS AND 1/2" - 13 TPI GRADE 5 (MINIMUM) HEX NUTS AS SHOWN. MUST USE DOUBLED HEX NUT CONFIGURATION ABOVE CEILING ANCHORS. SINGLE HEX NUT BENEATH HANGING ANGLE IS ACCEPTABLE FOR PSP HANGING ANGLES. MAINTAIN 1/4" OF EXPOSED THREADS BENEATH BOTTOM HEX NUT. TORQUE ALL HEX NUTS TO 57 FT-LBS.



FloAire

JOB 6' Heated UC Right** Hood Stock

LOCATION ,	
DATE 3/20/2023	JOB # 5910195
DWG # 2	DRAWN BY courtneyh
REV.	SCALE 3/8" = 1'-0"



**SECTION VIEW - MODEL 5424FX-2-PSP-F
HOOD - #1 (6' Heated)**



FloAire

JOB 6' Heated UC Right** Hood Stock	
LOCATION ,	
DATE 3/20/2023	JOB # 5910195
DWG # 3	DRAWN BY courtneyh
REV.	SCALE 3/8" = 1'-0"

EXHAUST FAN INFORMATION - JOB#5910195

FAN UNIT NO	TAG	QTY	FAN UNIT MODEL #	MANUFACTURER	CFM	ESP	RPM	MOTOR ENCL	HP	BHP	PHASE	VOLT	FLA	DISCHARGE VELOCITY	WEIGHT (LBS)	SDNES
1	6' HEATED	1	DUBSH	FLOAIRE	1404	1.000	1247	TEAO-ECM	0.750	0.3510	1	115	8.9	444 FPM	94	9.7

MUA FAN INFORMATION - JOB#5910195

FAN UNIT NO	TAG	QTY	FAN UNIT MODEL #	BLOWER	HOUSING	MIN CFM	DESIGN CFM	ESP	RPM	MOTOR ENCL	HP	BHP	PHASE	VOLT	FLA	MCA	MOCP	WEIGHT (LBS)	SDNES
2	6' HEATED	1	F1-D.500-15D	15MF-1-MDD	A1-D.500	1000	1123	0.300	1288	TEAO-ECM	1.000	0.3240	1	115	11.6	14.5A	25A	462	8.7

GAS FIRED MAKE-UP AIR UNIT(S)

FAN UNIT NO	TAG	INPUT BTUs	OUTPUT BTUs	TEMP RISE	REQUIRED INPUT GAS PRESSURE	GAS TYPE	BURNER EFFICIENCY(%)
2	6' HEATED	88793	81690	70°F	7 IN. W.C. - 14 IN. W.C.	NATURAL	92

FAN OPTIONS

FAN UNIT NO	TAG	QTY	DESCRIPTION
1	6' HEATED	1	GREASE BDX
		1	HINGE KIT - SHIPS LOOSE FOR CURB SUPPLIED BY OTHERS
		1	ECM WIRING PACKAGE - EXHAUST - MDDBUS CONTROL -MSC- (TELCD), CCW ROTATION
		1	2 YEAR PARTS WARRANTY
2	6' HEATED	1	SIZE 1 TEMPERED COMMERCIAL DOWN DISCHARGE FOR DIRECT DRIVE AHUS
		1	INLET PRESSURE GAUGE, 0-35"
		1	MANIFOLD PRESSURE GAUGE, -5 TO 15" WC
		1	LDW FIRE START
		1	SHIP LOOSE GAS STRAINER 3/4"
		1	MOTORIZED BACKDRAFT DAMPER FOR A1-D HOUSING - MEETS AMCA CLASS 1A RATING
		1	FREEZESTAT (10)
		1	ECM WIRING PACKAGE - DD SUPPLY - PWM SIGNAL FROM ECPM03 PREWIRE (TELCD MOTOR)
		1	2 YEAR PARTS WARRANTY

FAN ACCESSORIES

FAN UNIT NO	TAG	EXHAUST			SUPPLY			
		GREASE CUP	GRAVITY DAMPER	WALL MOUNT	SIDE DISCHARGE	GRAVITY DAMPER	MOTORIZED DAMPER	WALL MOUNT
1	6' HEATED	YES						
2	6' HEATED						YES	

CURB ASSEMBLIES

NO	DN FAN	TAG	WEIGHT	ITEM	SIZE
1	# 1	6' HEATED	32 LBS	CURB	23.000"W X 23.000"L X 20.000"H ALONG LENGTH, RIGHT VENTED.
2	# 2	6' HEATED	65 LBS	CURB	21.000"W X 71.000"L X 20.000"H ALONG WIDTH, RIGHT INSULATED.

FAN SOUND DATA

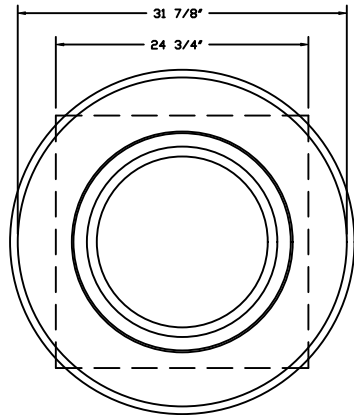
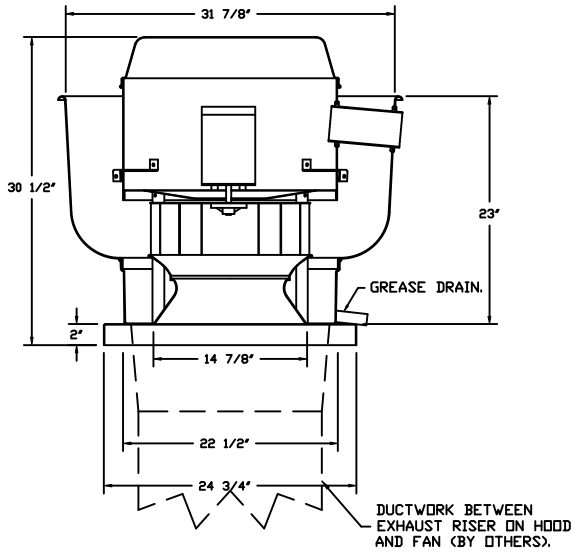
FAN UNIT NO	TAG	MOTOR	SOUND DATA			OCTAVE BAND SOUND DATA								
			LWA	SDNES @ 5 FT	DBA @ 5 FT	DISTANCE (FT)	63 HZ	125 HZ	250 HZ	500 HZ	1 KHZ	2 KHZ	4 KHZ	8 KHZ
1	6' HEATED	EXHAUST	72.2	9.65916887418369	60.7	5	74	75	75.5	68.6	65.9	63	57.7	51.7
2	6' HEATED	SUPPLY	70.7	8.70480478745237	59.2	5	69.7	71.1	70.5	66.8	64.3	63.7	60.7	57.8



FloAire

JOB 6' Heated UC Right** Hood Stock	
LOCATION ,	
DATE 3/20/2023	JOB # 5910195
DWG # 4	DRAWN BY courtneyh
REV.	SCALE 3/8" = 1'-0"

FAN #1 DU85H - EXHAUST FAN (6' HEATED)



TOP VIEW

FEATURES:

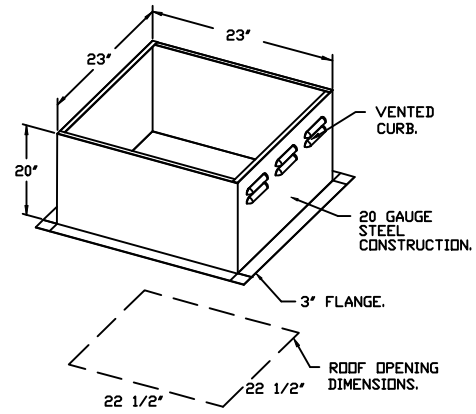
- DIRECT DRIVE CONSTRUCTION (NO BELTS/PULLEYS).
- ROOF MOUNTED FANS.
- RESTAURANT MODEL.
- UL705 AND UL762 AND ULC-S645
- VARIABLE SPEED CONTROL.
- INTERNAL WIRING.
- THERMAL OVERLOAD PROTECTION (SINGLE PHASE).
- HIGH HEAT OPERATION 300°F (149°C).
- GREASE CLASSIFICATION TESTING.
- NEMA 3R SAFETY DISCONNECT SWITCH.

NORMAL TEMPERATURE TEST
 EXHAUST FAN MUST OPERATE CONTINUOUSLY WHILE EXHAUSTING AIR AT 300°F (149°C) UNTIL ALL FAN PARTS HAVE REACHED THERMAL EQUILIBRIUM, AND WITHOUT ANY DETERIORATING EFFECTS TO THE FAN WHICH WOULD CAUSE UNSAFE OPERATION.

ABNORMAL FLARE-UP TEST
 EXHAUST FAN MUST OPERATE CONTINUOUSLY WHILE EXHAUSTING BURNING GREASE VAPORS AT 600°F (316°C) FOR A PERIOD OF 15 MINUTES WITHOUT THE FAN BECOMING DAMAGED TO ANY EXTENT THAT COULD CAUSE AN UNSAFE CONDITION.

OPTIONS

- GREASE BOX.
- HINGE KIT - SHIPS LOOSE FOR CURB SUPPLIED BY OTHERS.
- ECM WIRING PACKAGE - EXHAUST - MODBUS CONTROL
- MSC- (TELCO), CCW ROTATION.
- 2 YEAR PARTS WARRANTY.



FloAire

JOB 6' Heated UC Right** Hood Stock

LOCATION ,

DATE 3/20/2023

JOB # 5910195

DWG # 5

DRAWN BY courtneyh

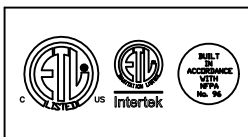
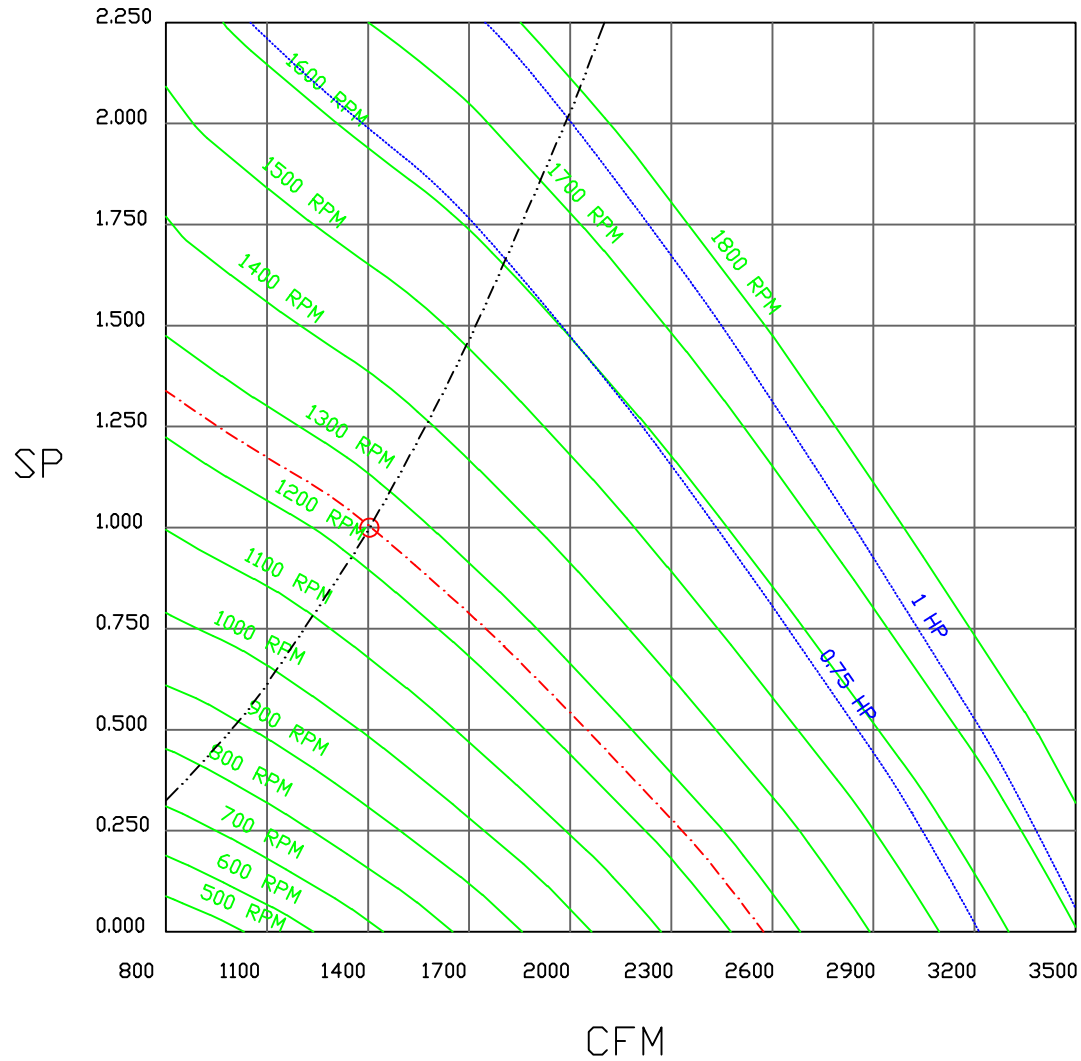
REV.

SCALE 3/8" = 1'-0"

FAN#1 (6' HEATED) - EXHAUST PERFORMANCE CURVES.

1404 CFM, 1 SP @ 1247 RPM AND 0.351 BHP AT 0 FEET AND 120 DEG F.

* PLEASE NOTE THAT THESE CURVES WERE ADJUSTED FOR JOB SPECIFIC TEMPERATURE AND ALTITUDE.



FloAire

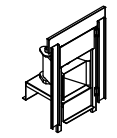
JOB 6' Heated UC Right** Hood Stock	
LOCATION ,	
DATE 3/20/2023	JOB # 5910195
DWG # 6	DRAWN BY courtneyh
REV.	SCALE 3/8" = 1'-0"

- FAN #2 F1-D.500-15D - HEATER (6' HEATED)
1. DIRECT GAS FIRED HEATED MAKE UP AIR UNIT WITH 15' MIXED FLOW DIRECT DRIVE FAN.
 2. INTAKE HOOD WITH E2 FILTERS.
 3. DOWN DISCHARGE - AIR FLOW RIGHT -> LEFT.
 4. DOWN DISCHARGE CONSTRUCTION FOR SIZE 1 DIRECT DRIVE AHUS.
 5. GAS PRESSURE GAUGE, 0-35", 2.5" DIAMETER, 1/4" THREAD SIZE.
 6. GAS PRESSURE GAUGE, -5 TO +15 INCHES WC, 2.5" DIAMETER, 1/4" THREAD SIZE.
 7. LOW FIRE START. ALLOWS THE BURNER CIRCUIT TO ENERGIZE WHEN THE MODULATION CONTROL IS IN A LOW FIRE POSITION.
 8. SHIP LOOSE GAS STRAINER. TO BE INSTALLED UPSTREAM OF UNIT CONNECTION. 3/4" CONNECTION.
 9. MOTORIZED BACK DRAFT DAMPER 16" X 18" FOR SIZE 1 STANDARD & MODULAR HEATER UNITS W/EXTENDED SHAFT, STANDARD GALVANIZED CONSTRUCTION, 3/4" REAR FLANGE, LOW LEAKAGE, TFB120S ACTUATOR INCLUDED.
 10. FREEZE STAT WITH 10' SENSOR. FACTORY SET AT 35°F AND 10 MINUTES.
 11. ECM WIRING PACKAGE FOR SUPPLY MOTORS WITH PWM SIGNAL FROM ECM03 PREWIRE.
 12. HINGED DOUBLE WALL INSULATED DOOR ASSEMBLY (BURNER/BLOWER SECTION).
 13. 2 YEAR PARTS WARRANTY

NOTE: SUPPLY DUCT MUST BE INSTALLED TO MEET SMACNA STANDARDS. A MINIMUM STRAIGHT DUCT LENGTH MUST BE MAINTAINED DOWNSTREAM OF UNIT DISCHARGE AS OUTLINED IN AMCA PUBLICATION 201. WHEN USING RECTANGULAR DUCTWORK, ELBOWS MUST BE RADIUS THROAT, RADIUS BACK WITH TURNING VANES. FLEXIBLE DUCTWORK AND SQUARE THROAT/SQUARE BACK ELBOWS SHOULD NOT BE USED. ANY TRANSITION AND/OR TURNS IN THE DUCTWORK WILL CAUSE SYSTEM EFFECT. SYSTEM EFFECT WILL DRASTICALLY INCREASE STATIC PRESSURE AND REDUCE AIRFLOW, DO NOT RELY ON UNIT TO SUPPORT DUCT IN ANY WAY. FAILURE TO PROPERLY SIZE DUCTWORK MAY CAUSE SYSTEM EFFECTS AND REDUCE PERFORMANCE OF THE EQUIPMENT. SUGGESTED STRAIGHT DUCT SIZE IS 14" X 14".

SUPPLY SIDE HEATER INFORMATION

WINTER TEMPERATURE = 20°F. TEMP. RISE = 70°F.
 BTUs CALCULATED OFF ACTUAL AIR DENSITY.
 OUTPUT BTUs AT ALTITUDE OF 0.0 FT. = 81690.
 INPUT BTUs AT ALTITUDE OF 0.0 FT. = 88794.



DIRECT FIRED GAS PROFILE PLATE ASSEMBLY

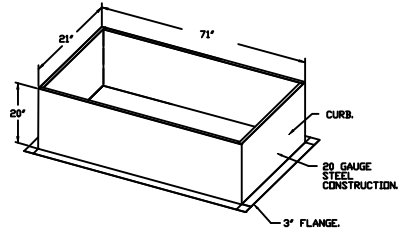
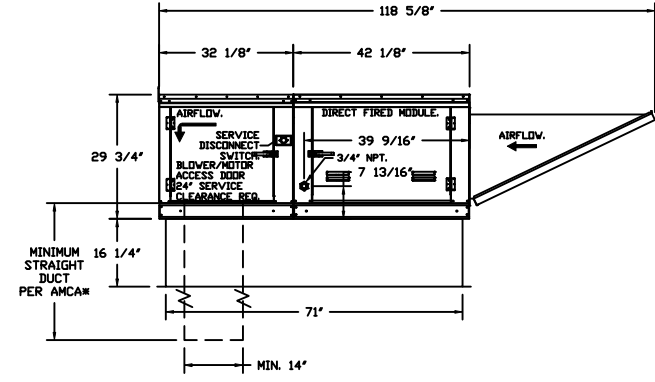
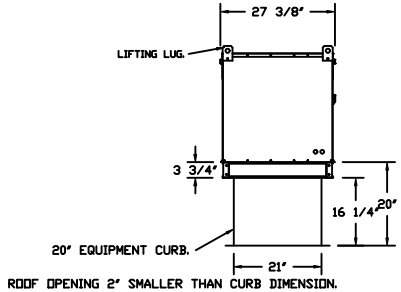
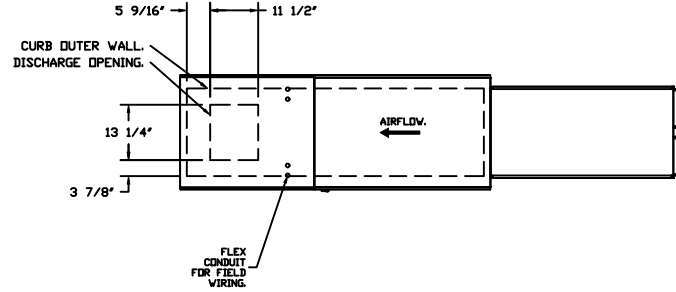
SAFETY: BURNER SHALL HAVE PATENTED GAS PATENT NO. 4,048,800. SELF-ALIGHTING PROFILE PLATE DESIGNED TO GUIDE FLOW AND PREVENT LEAKS. THE BURNER PROFILE PLATE SHALL BE INSTALLED TO MAINTAIN A MINIMUM CLEARANCE OF 18" FROM ALL SURFACES TO WHICH IT IS APPLIED. THE PROFILE PLATE SHALL BE INSTALLED TO MAINTAIN A MINIMUM CLEARANCE OF 18" FROM ALL SURFACES TO WHICH IT IS APPLIED. THE PROFILE PLATE SHALL BE INSTALLED TO MAINTAIN A MINIMUM CLEARANCE OF 18" FROM ALL SURFACES TO WHICH IT IS APPLIED.

INSTALLATION: BURNER PROFILE PLATES ARE DESIGNED TO AUTOMATICALLY REACT TO THE VARIATION OF FRESH AIR STREAM, WITHOUT THE NEED FOR ANY OTHER OR ADJUSTABLE MECHANICAL ADJUST THEM WITH THIS PLATING. ALL OF DATE ARE REQUIRED FOR BURNER SERVICE VENTILATION ONLY REQUIREMENTS.

OPERATION: ALL PROFILE PLATE ASSEMBLIES SHALL BE RELEASED IN THE OF UNIT'S DELIVERY AND COMPLY WITH CONDENSED SAFETY STANDARDS ASSESS 2014 AND CAN 29.000-REGULATION OF HEATED AIR AND 2018 REGULATION OF HEATED AIR.

GENERAL CONSTRUCTION:

- PROFILE PLATES SHALL BE FORMED FROM 60% GALVANIZED STEEL.
- PROFILE PLATES SHALL BE 1/8" THICK PER UNIT.
- PROFILE PLATES SHALL BE HEATED TO 400°F TO FORM PLATE AS THE BACKSIDE OF THE BURNER.
- STEEL SHALL BE PROPERLY TREATED PERMANENTLY TREATED SPRAY PAINT.
- SPRINKLER SHALL BE MADE FROM PLATED STEEL.

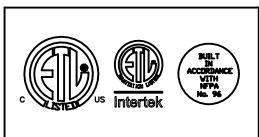
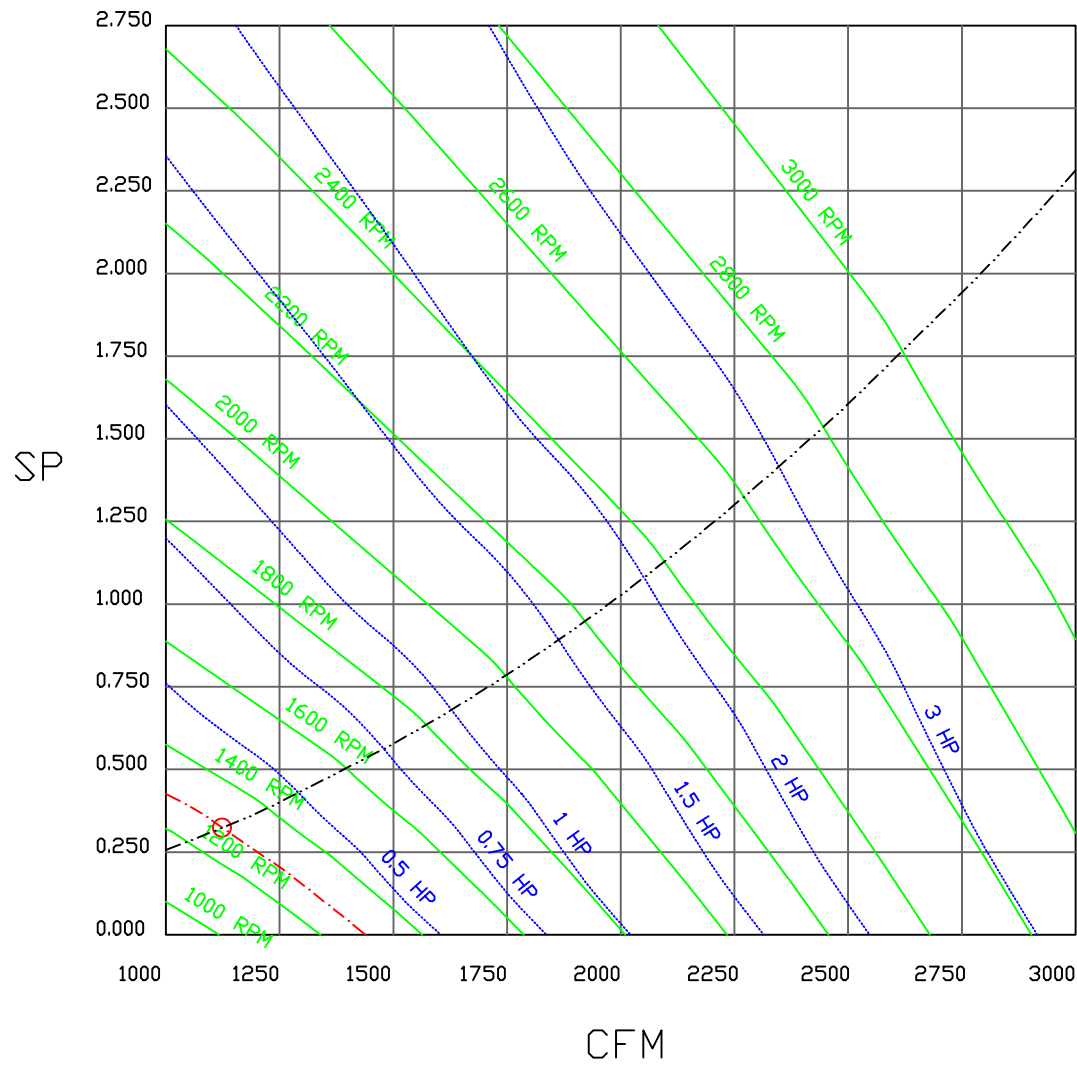


FloAire

JOB 6' Heated UC Right** Hood Stock	
LOCATION ,	
DATE 3/20/2023	JOB # 5910195
DWG # 7	DRAWN BY courtneyh
REV.	SCALE 1/4" = 1'-0"

FAN#2 (6' HEATED) - HEATER PERFORMANCE CURVES.

1123 CFM, 0.324 SP @ 1288 RPM AND 0.324 BHP AT 0 FEET AND 90 DEG F.
 * PLEASE NOTE THAT THESE CURVES WERE ADJUSTED FOR JOB SPECIFIC TEMPERATURE AND ALTITUDE.



FloAire

JOB 6' Heated UC Right** Hood Stock	
LOCATION ,	
DATE 3/20/2023	JOB # 5910195
DWG # 8	DRAWN BY courtneyh
REV.	SCALE 3/8" = 1'-0"



GREASE DUCT & CHIMNEY SPECIFICATIONS:

PROVIDE GREASE DUCT EQUAL TO FLOAIRE MODEL "FDW"
ROUND 20 GAUGE 430 STAINLESS STEEL DUCTWORK. MODEL "FDW"
IS LISTED TO UL-1978 AND IS INSTALLED USING "V" CLAMP LOCKING
CONNECTIONS SEALED WITH 3M FIRE BARRIER 2000 PLUS. MODEL "FDW"
DOES NOT REQUIRE WELDING PROVIDING IT HAS BEEN INSTALLED PER
THE MANUFACTURES INSTALLATION GUIDE.

PROVIDE RATED ACCESS DOORS AT EVERY CHANGE IN DIRECTION AND EVERY 12' ON CENTER.
PER MANUFACTURES LISTING MODEL "FDW" HORIZONTAL RUNS LESS THAN 75 FT. CAN BE
SLOPED 1/16" PER 12", HORIZONTAL RUNS MORE THAN 75 FT. CAN BE SLOPED 3/16" PER 12".
DUCT SHOULD BE SLOPED AS MUCH AS POSSIBLE TO REDUCE THE CHANCE OF GREASE
ACCUMULATION IN HORIZONTAL RUNS.

IF THE DUCT OR CHIMNEY IS WITHIN 18 INCHES OF COMBUSTIBLE MATERIAL, PROVIDE
UL-2221 OR UL-103 HT LISTED DOUBLE WALL GREASE DUCT OR DOUBLE WALL CHIMNEY
EQUAL TO FLOAIRE MODEL "FDW- 2R, 2R TYPE HT, 3R, OR 3Z" ROUND 20 GAUGE 430
STAINLESS INNER DUCT INSULATED WITH A 24 GAUGE 430 STAINLESS OUTER SHELL.

CUSTOMER APPROVAL TO MANUFACTURE:

APPROVED AS NOTED	<input type="checkbox"/>
APPROVED WITH NO EXCEPTION TAKEN	<input type="checkbox"/>
REVISE AND RESUBMIT	<input type="checkbox"/>
SIGNATURE _____	
YOUR TITLE _____	DATE _____



FloAire

JOB 6' Heated UC Right** Hood Stock	
LOCATION ,	
DATE 3/20/2023	JOB # 5910195
DWG # 9	DRAWN BY courtneyh
REV.	SCALE 3/8" = 1'-0"

GREASE BOX INSTALLATION

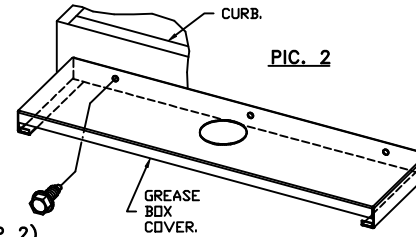
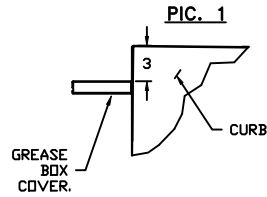
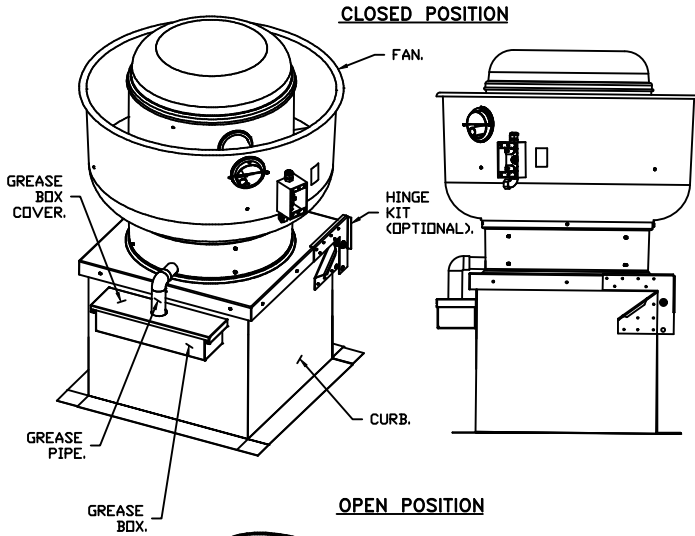
PARTS INCLUDED

- GREASE BOX.
- GREASE BOX COVER.
- GREASE PIPE.
- SHEET METAL SCREWS
3 - LONG (3/4" LG.).

GREASE BOX FIELD INSTALLATION

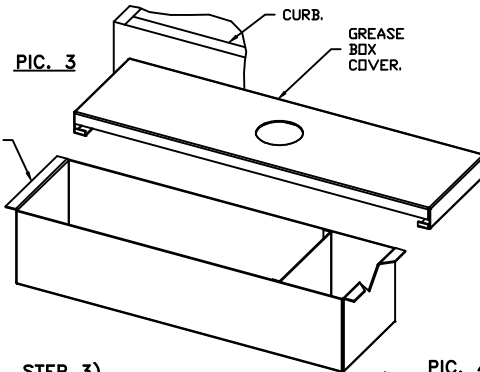
STEP 1)

ATTACH GREASE BOX COVER TO THE CURB, HOLD 3" DIMENSION AS SHOWN ON PIC. 1. SCREW GREASE BOX COVER TO CURB USING (3) LONG (3/4" LG.) SCREWS AS SHOWN ON PIC. 2.



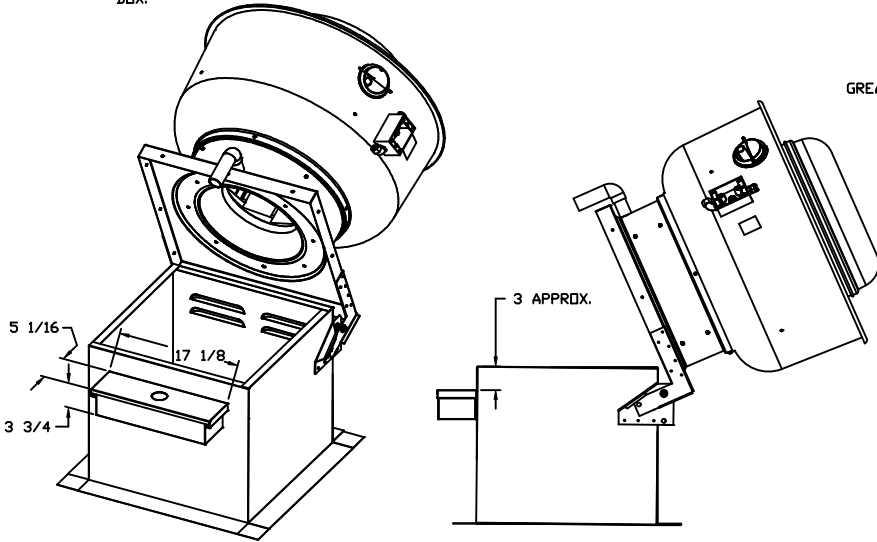
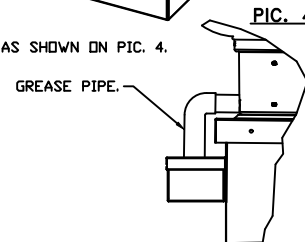
STEP 2)

ATTACH GREASE BOX TO GREASE BOX COVER, SLIDE AND DROP AS SHOWN ON PIC. 3.



STEP 3)

INSTALL GREASE PIPE AS SHOWN ON PIC. 4.



*NOTE: UL 705 INSTALL.



FloAire

JOB 6' Heated UC Right** Hood Stock	
LOCATION ,	
DATE 3/20/2023	JOB # 5910195
DWG # 10	DRAWN BY courtneyh
REV.	SCALE 3/8" = 1'-0"

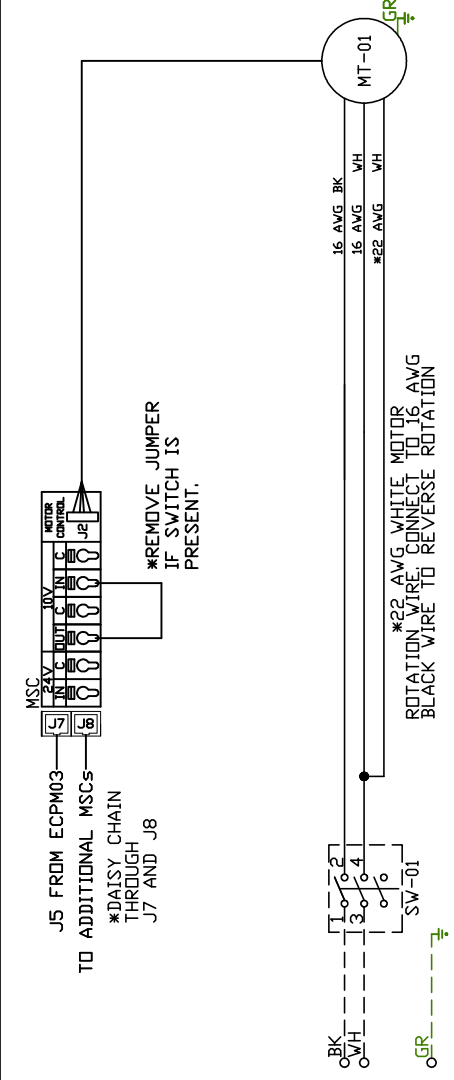
Exhaust Fan Wiring

JOB 5910195 - 6' Heated UC Right** Hood Sto...

DRAWING NUMBER EXH5910195-1

SHIP DATE 3/20/2023

MODEL DUB5H



1
2
3
4
5
6
7
8
9
10
11
12
13
14
15
16
17
18
19
20
21
22
23

Installed Options

Label	Component Description	Location
MT-01	Fan Motor	[3]
MSC	Motor Speed Controller	[1]
SW-01	Main disconnect switch	[3]

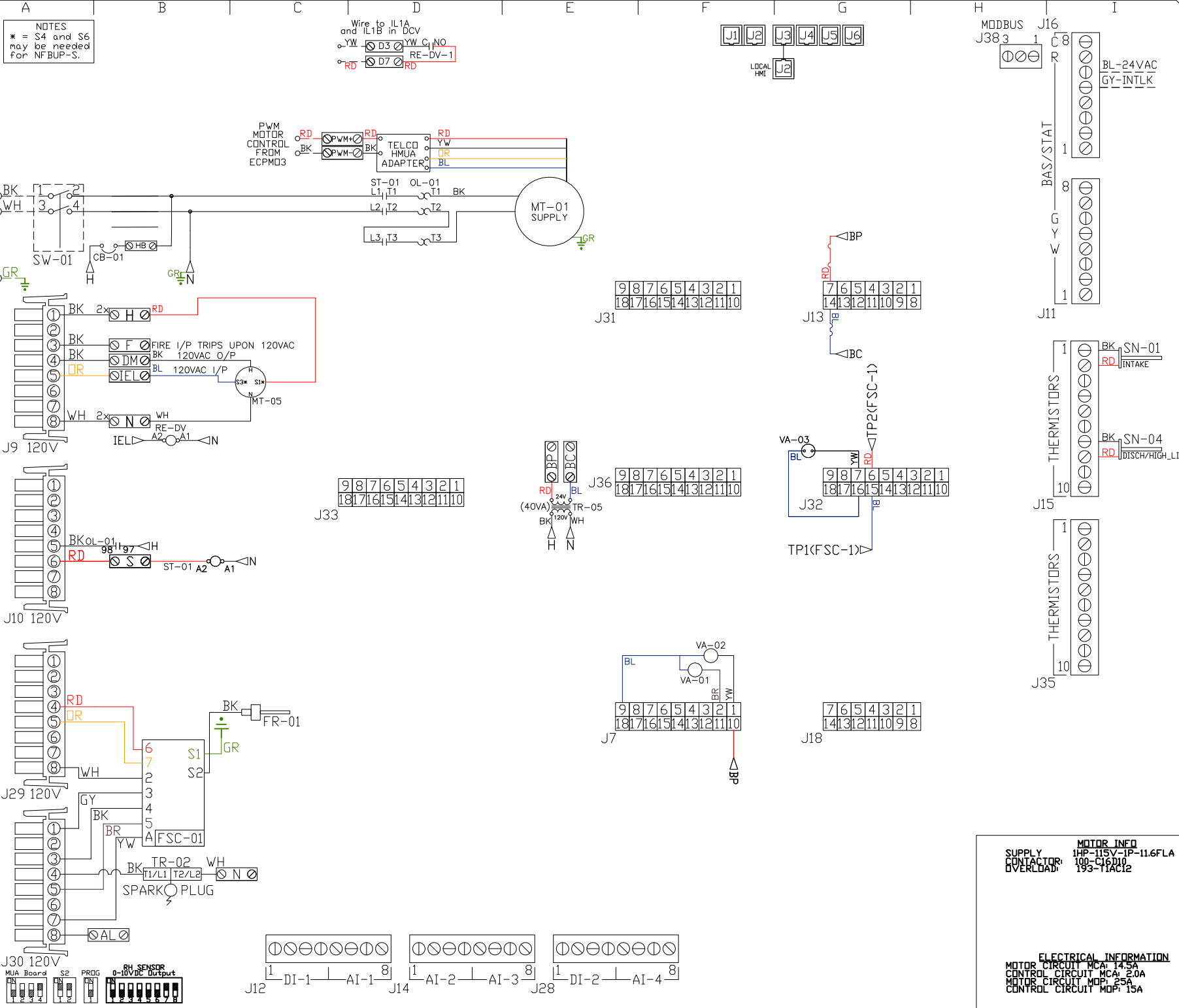
EXHAUST MOTOR INED 0.75HP-115V-IP-8-9FLA

ELECTRICAL INFORMATION
MOTOR/CTRL MCA: 11.2A
MOTOR/CTRL MOP: 20A

NOTES
--- DENOTES FIELD WIRING
--- DENOTES INTERNAL WIRING

WIRE COLOR

- BK - BLACK
- BL - BLUE
- BR - BROWN
- DR - ORANGE
- RD - RED
- WH - WHITE
- YW - YELLOW
- GR - GREEN
- GY - GRAY
- PR - PURPLE
- PK - PINK

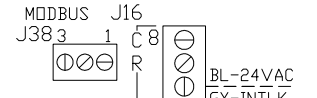
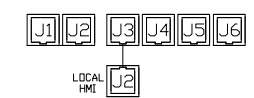


NOTES
 * = S4 and S6 may be needed for NFBUP-S.

Wire to IL1A and IL1B in DCV
 YW D3 YW C1 NO
 RD D7 RD RE-DV-1

PWM MOTOR CONTROL FROM ECPMD3

RD SPWM+ RD
 BK SPWM- BK
 TELCD HMUA ADAPTER
 RD YW
 OR BL



COMPONENT LIST	
LABEL	DESCRIPTION
CB-01	CIRCUIT_BREAKER
FR-01	EVD/ECH-ACU+S11-MP
FSC-01	FIREYE_FLAME_SAFETY
MT-01	SUPPLY_MOTOR
MT-05	INTAKE_DAMPER_MTR
DL-XX	MTR_OVERLOAD
SN-XX	TEMP_SENSORS
ST-XX	MTR_STARTER
SW-01	DISCONNECT_SWITCH
TR-02	IGNITION_TRANSFMR
TR-05	BOARD_POWER_TRFMR
VA-01	PILOT_GAS_VALVE
VA-02	MAIN_GAS_VALVE
VA-03	MOD_GAS_VALVE

MOTOR INFO
 SUPPLY 1HP-115V-1P-11.6FLA
 CONTACTOR 100-CJ6D10
 OVERLOAD 193-11AC12

ELECTRICAL INFORMATION
 MOTOR CIRCUIT MCA: 14.5A
 CONTROL CIRCUIT MCA: 2.0A
 MOTOR CIRCUIT MDP: 25A
 CONTROL CIRCUIT MDP: 15A

LEGEND

---	FIELD WIRING
---	FACTORY WIRING
BK-	BLACK
BR-	BROWN
OR-	ORANGE
WH-	WHITE
DR/BL-	DR/BL STRIPE
BL/BL-	BL/BL STRIPE
RD/GR-	RD/GR STRIPE
WH/BL-	WH/BL STRIPE
YW-	YELLOW
GY-	GREY
PR-	PURPLE
RD-	RED
GR-	GREEN

JOB NAME
 6' Heated UC RI...

DRAWING TITLE
 Drawing Title

DESCRIPTION OF OPERATION
 MUA BOARD
 (DETAILS TO FOLLOW)

JOB NO 5910195	DRAWN BY AUTO
TYPE FACTORY	DATE 3/20/2023

DWG MW5910195-2

ELECTRICAL PACKAGE - JOB#5910195

NO	TAG	PACKAGE #	LOCATION	SWITCHES		OPTION	FANS CONTROLLED					
				LOCATION	QUANTITY		FAN TAG	TYPE	φ	HP	VOLT	FLA
1	6' Heated	SC-111110MA	UTILITY CABINET RIGHT	FACE MOUNT LEFT SIDE OF HOOD	1 LIGHT	SMART CONTROLS THERMOSTATIC CONTROL W/ RELAY ON/OFF WITH SUPPLY	6' Heated	EXHAUST	1	0.750	115	8.9
				HOOD # 1	1 FAN		6' Heated	SUPPLY	1	1.000	115	11.6



FloAire

<i>JOB</i> 6' Heated UC Right** Hood Stock	
<i>LOCATION</i> ,	
<i>DATE</i> 3/20/2023	<i>JOB #</i> 5910195
<i>DWG #</i> 14	<i>DRAWN BY</i> courtneyh
<i>REV.</i>	<i>SCALE</i> 3/8" = 1'-0"

JOB NO
5910195

MODEL NUMBER
SC-11110MA

JOB NAME
6' Heated UC Right*** Hood Sto...

DRAWN BY
INSTALL

DATE
3/20/2023

SCHEMATIC TYPE
DWG NO
ECP #1-1

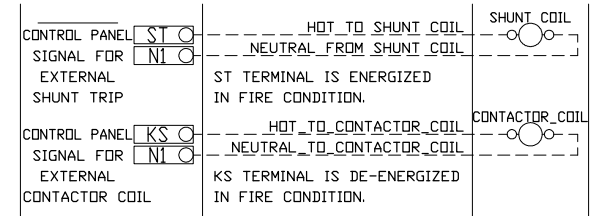
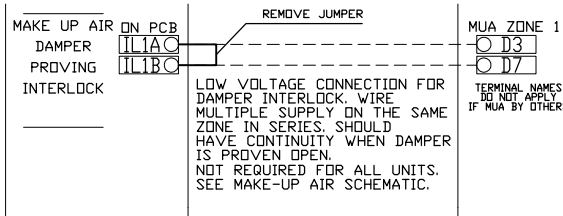
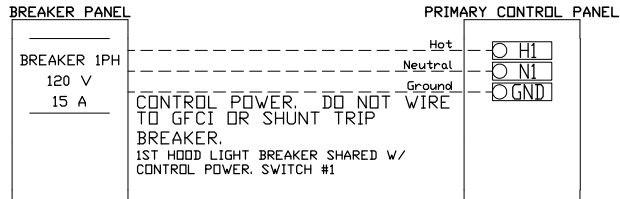
DESCRIPTION OF OPERATION:

120V 1 Phase w/ control for 1 Exhaust Fan, 1 Supply Fan, Exhaust on In Fire, Lights out in Fire, Relay On/Off with Supply Fan, Fans On/Off Thermostatically Controlled. Room temperature sensor shipped loose for field installation.

BREAKER PANEL TO PRIMARY CONTROL PANEL

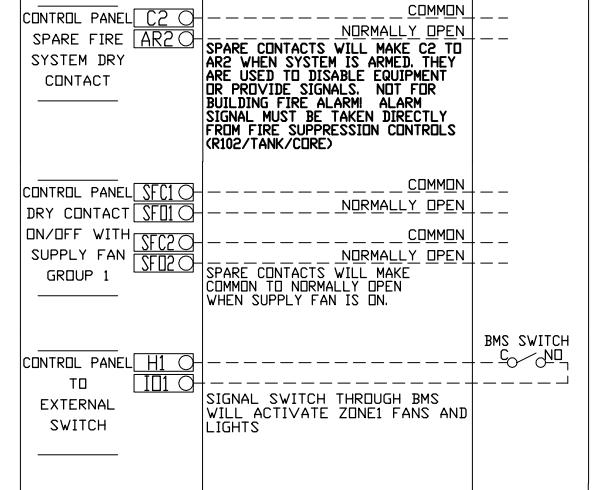
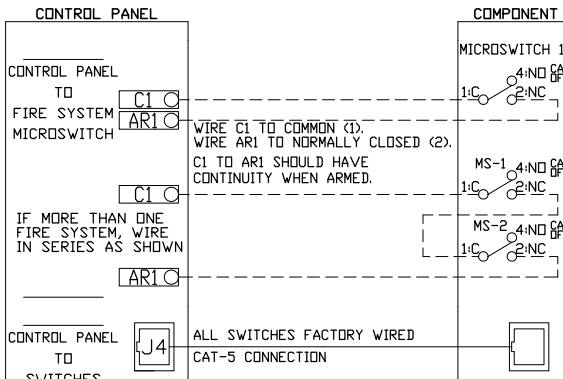
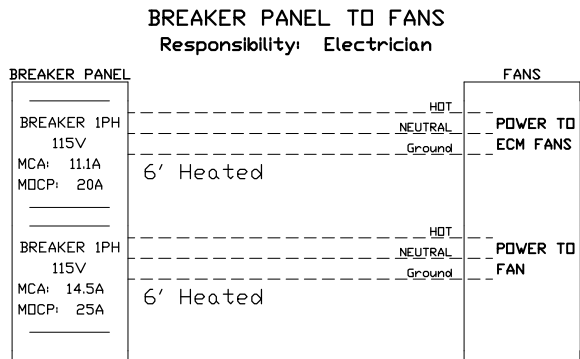
Responsibility: Electrician

BREAKER SIZE SHOWN IS THE MAXIMUM ALLOWED



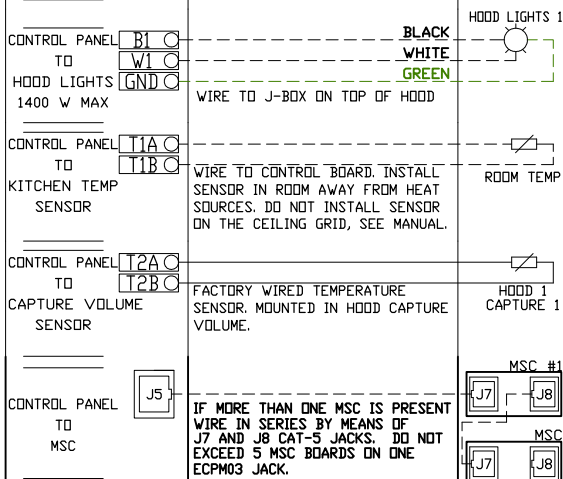
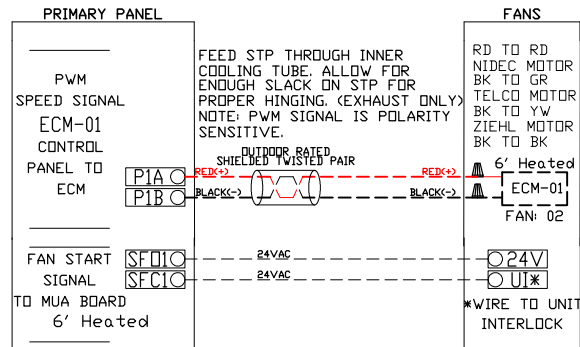
CONTROL PANEL TO ACCESSORY ITEMS

Responsibility: Electrician



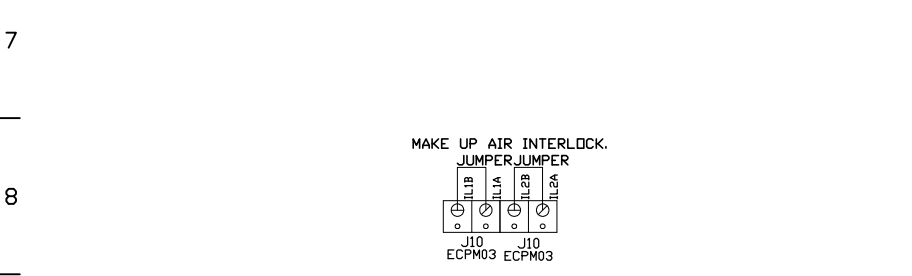
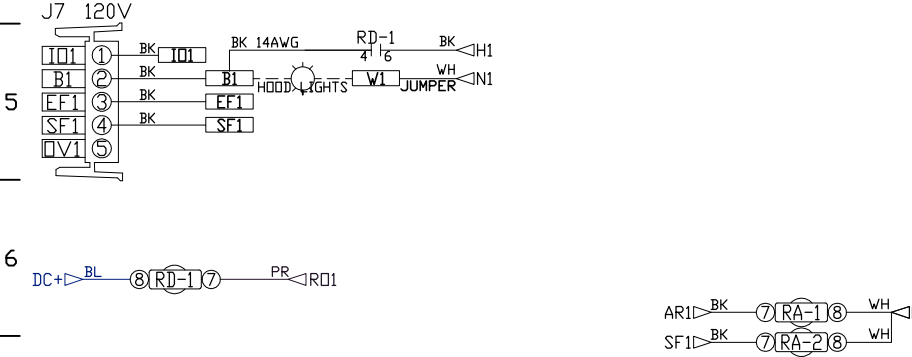
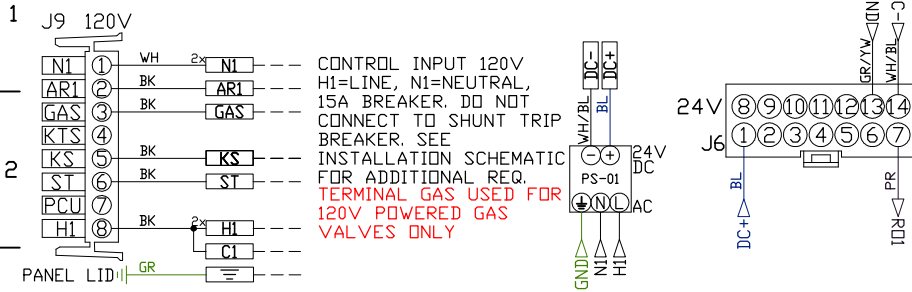
CONTROL PANEL TO FANS

Responsibility: Electrician



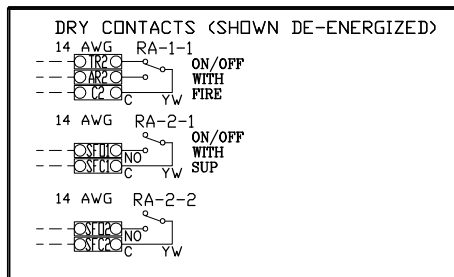
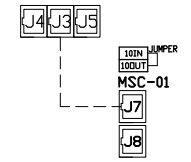
THE FOLLOWING CONNECTIONS MAY OR MAY NOT BE REQUIRED BASED ON JOBSITE SPECIFICATIONS

UNLESS SPECIFIED OTHERWISE, ALL FACTORY AC WIRING 16 AWG. ALL FACTORY DC WIRING 18 AWG.



NOTE: All items on ECPM03 J3 line to be daisy chained from one component to the next, with EOL120A at end of line. Place PN: EOL120A in empty RJ45 port.

ECPM03/DAISY CHAIN



FACTORY WIRING SCHEMATIC CIRCUIT BOARDS
 DCV Rev. 2.14.00
 HMI Rev. 2.14.00

RA-x	RD-x
120 VAC RELAY	24 VDC RELAY
NO 4 3	NO 4 3
NC 2 1	NC 2 1
COIL 8 7	COIL 8 7
COM 6 5	COM 6 5

COMPONENT LIST

LABEL	DESCRIPTION
ST-X	Starter
DL-X	Overload
C-X	Contactor
PS-1	Power Sup. 24VDC
RA-x	120V Relay DPDT
RD-x	24VDC Light Relay
TS-x	Duct Thermostat

LEGEND

--- FIELD WIRING
 --- FACTORY WIRING

BK- BLACK YW- YELLOW
 BL- BLUE GY- GREY
 BR- BROWN PR- PURPLE
 DR- ORANGE RD- RED
 WH- WHITE
 DR/BL- DR/BL STRIPE
 BL/RD- BL/RD STRIPE
 RD/GN- RD/GN STRIPE
 WH/BL- WH/BL STRIPE

JOB NAME
 6" Heated UC Rlg...

DRAWING TITLE
 SC-111110MA

DESCRIPTION OF OPERATION
 120V 1 Phase w/ control for 1 Exhaust Fan, 1 Supply Fan, Exhaust on in Fire, Lights out in Fire, Relay On/Off with Supply Fan, Fans On/Off Thermostatically Controlled. Room temperature sensor shipped loose for field installation.

JOB NO	DRAWN BY
5910195	
TYPE	DATE
FACTORY	3/20/2023
DWG NO ECP	#1-2

A | B | C | D | E | F | G | H | I

**FACTORY WIRING
SCHEMATIC
CIRCUIT BOARDS**
DCV Rev. 2.10.00
HMI Rev. 2.10.00

RA-x 120 VAC RELAY		RD-x 24 VDC RELAY	
NO	4 3	NO	4 3
NC	2 1	NC	2 1
COIL	8 7	COIL	8 7
COM	6 5	COM	6 5

COMPONENT LIST

LABEL	DESCRIPTION
ST-X	Starter PN: varies
C-X	Contactors PN: varies
SM-X	VFD PN: varies
LR-X	Line/Load Reactor PN: varies

LEGEND

---	FIELD WIRING		
---	FACTORY WIRING		
BK-	BLACK	YW-	YELLOW
BL-	BLUE	GY-	GREY
BR-	BROWN	PR-	PURPLE
OR-	ORANGE	RD-	RED
WH-	WHITE		
OR/BL-	OR/BL STRIPE		
BL/RD-	BL/RD STRIPE		
RD/GN-	RD/GN STRIPE		
WH/BL-	WH/BL STRIPE		

JOB NAME
6' Heated UC Rig...

DRAWING TITLE
SC-111110MA

DESCRIPTION OF OPERATION
120V 1 Phase w/ control for 1 Exhaust Fan, 1 Supply Fan, Exhaust on In Fire, Lights out in Fire, Relay On/Off with Supply Fan, Fan(s) On/Off Thermostatically Controlled. Room temperature sensor shipped loose for field installation.

JOB NO	DRAWN BY
5910195	
TYPE	DATE
FACTORY	3/20/2023
DWG NO	ECP #1-3

MOTOR POWER CIRCUITS. SEE INSTALLATION DIAGRAM FOR FIELD WIRING REQUIREMENTS.