

FOR QUESTIONS, CALL THE  
 FLD AIRE NATIONAL  
 REGION 22  
 PHONE: (610) 239-8405  
 EMAIL: courtney.hardin@floaire.com

**PATENT NUMBERS**

AC-PSP (UNITED STATES) - US PATENT 7963830 B2.  
 AC-PSP WALL (CANADA) - CA PATENT 2820509.  
 AC-PSP ISLAND (CANADA) - CA PATENT 2520330.

**HOOD INFORMATION - JOB#5910315**

HOOD NO	TAG	MODEL	MANUFACTURER	LENGTH	MAX COOKING TEMP	TYPE	APPLIANCE DUTY	DESIGN CFM/FT	TOTAL EXH CFM	EXHAUST PLENUM RISER(S)						TOTAL SUPPLY CFM	HOOD CONSTRUCTION	HOOD CONFIG		
										WIDTH	LENG	HEIGHT	DIA	CFM	VEL			SP	END TO END	ROW
1	10' Nonheated	5424 FX-2-PSP-F	FLD AIRE	10' 0"	600 DEG	I	HEAVY	234	2340	10'	22'	4'		2340	1532	-0.984'	1872	430 SS WHERE EXPOSED	ALONE	ALONE

**HOOD INFORMATION**

HOOD NO	TAG	FILTER(S)					LIGHT(S)				UTILITY CABINET(S)				FIRE SYSTEM PIPING	HOOD HANGING WEIGHT		
		TYPE	QTY	HEIGHT	LENGTH	EFFICIENCY @ 7 MICRONS	QTY	TYPE	WIRE GUARD	LOCATION	SIZE	FIRE SYSTEM TYPE	SIZE	ELECTRICAL MODEL #			SWITCHES QUANTITY	
1	10' Nonheated	CAPTRATE SOLID FILTER	7	16"	16"	85% SEE FILTER SPEC	3	L55 SERIES E26	NO	LEFT	12"x54"x24"				SC-111110MA	1 LIGHT 1 FAN	NO	685 LBS

**HOOD OPTIONS**

HOOD NO	TAG	OPTION
1	10' Nonheated	RIGHT VERTICAL END PANEL 27' TOP WIDTH, 21' BOTTOM WIDTH, 80' HIGH INSULATED 430 SS.
		LEFT VERTICAL END PANEL 27' TOP WIDTH, 21' BOTTOM WIDTH, 80' HIGH INSULATED 430 SS.
		SENSOR-CV.

**PERFORATED SUPPLY PLENUM(S)**

HOOD NO	TAG	PDS	LENGTH	WIDTH	HEIGHT	TYPE	RISER(S)				
							WIDTH	LENG	DIA	CFM	SP
1	10' Nonheated	Front	132"	16"	6"	MUA	8"	36"		624	0.174'
						MUA	8"	36"		624	0.174'
						MUA	8"	36"		624	0.174'

**SPECIFICATION: CAPTRATE® GREASE-STOP® SOLID FILTER**

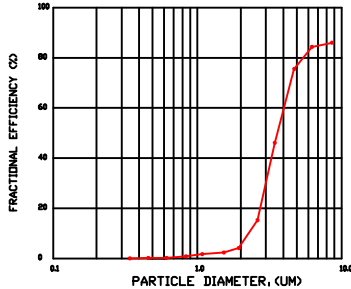
THE CAPTRATE GREASE-STOP SOLID FILTER IS A SINGLE-STAGE FILTER FEATURING A UNIQUE S-BAFFLE DESIGN IN CONJUNCTION WITH A SLOTTED REAR BAFFLE DESIGN, TO DELIVER EXCEPTIONAL FILTRATION EFFICIENCY.

FILTER IS STAINLESS STEEL CONSTRUCTION, AND SIZED TO FIT INTO STANDARD 2-INCH DEEP HOOD CHANNEL(S).

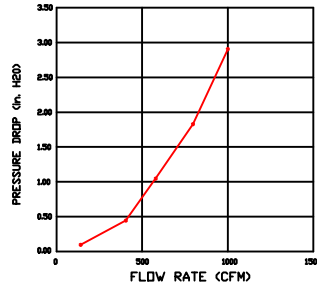
UNITS SHALL INCLUDE STAINLESS STEEL HANDLES AND A FASTENING DEVICE TO SECURE THE TWO COMPONENTS WHEN ASSEMBLED.

GREASE EXTRACTION EFFICIENCY PERFORMANCE SHALL REMOVE AT LEAST 75% OF GREASE PARTICLES FIVE MICRONS IN SIZE, AND 85% GREASE PARTICLES SEVEN MICRONS IN SIZE AND LARGER, WITH A CORRESPONDING PRESSURE DROP NOT TO EXCEED 1.0 INCHES OF WATER GAUGE. THE CAPTRATE GREASE-STOP SOLID WAS TESTED TO ASTM STANDARD ASTM F2519-05. MANUFACTURER APPROVED FOR USE IN SOLID FUEL APPLICATIONS AS A SPARK ARRESTER.

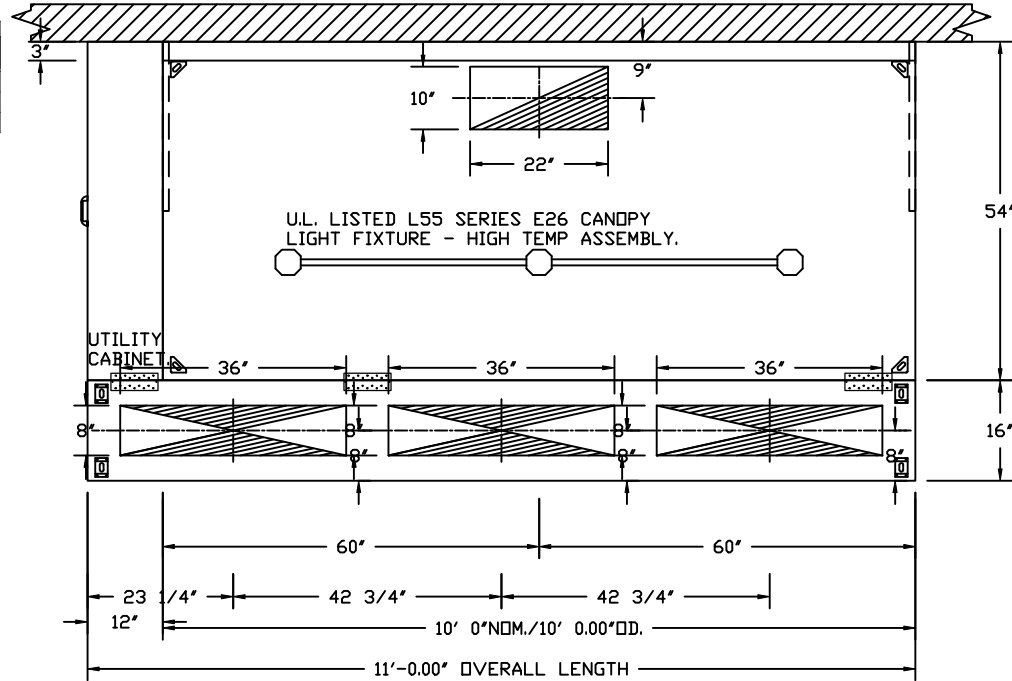
**EFFICIENCY VS. PARTICLE DIAMETER**



**PRESSURE DROP VS. FLOW RATE**



CAPTRATE FILTERS ARE BUILT IN COMPLIANCE WITH:  
 NFPA #96.  
 NSF STANDARD #2.  
 UL STANDARD #1046.  
 INT. MECH. CODE (IMC).  
 ULC-S649.

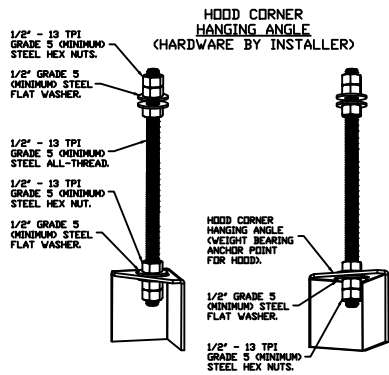


**PLAN VIEW - HOOD #1 (10' Nonheated)**  
 10' 0.00" LONG 5424FX-2-PSP-F



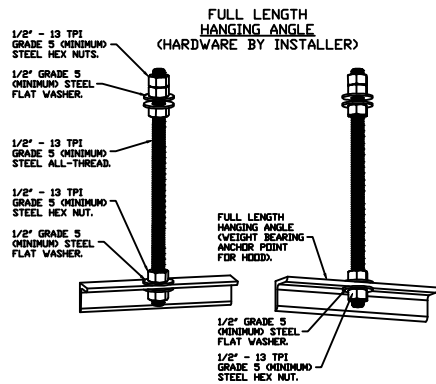
FloAire

JOB 10' Nonheated UC Left** Hood Stock	
LOCATION	
DATE 3/20/2023	JOB # 5910315
DWG # 1	DRAWN BY courtneyh
REV.	SCALE 3/8" = 1'-0"



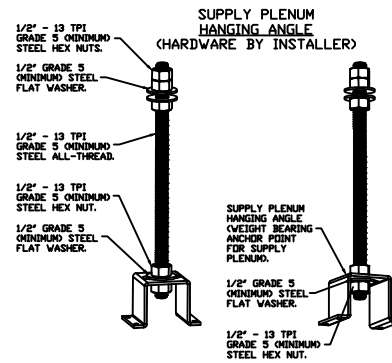
**ASSEMBLY INSTRUCTIONS**

HANGING ANGLE MUST BE SUPPORTED WITH 1/2" - 13 TPI GRADE 5 (MINIMUM) ALL-THREAD. SANDWICH HANGING ANGLES AND CEILING ANCHOR POINTS WITH 1/2" GRADE 5 (MINIMUM) STEEL FLAT WASHERS AND 1/2" - 13 TPI GRADE 5 (MINIMUM) HEX NUTS AS SHOWN. MUST USE DOUBLED HEX NUT CONFIGURATION BENEATH HOOD HANGING ANGLES AND ABOVE CEILING ANCHORS. MAINTAIN 1/4" OF EXPOSED THREADS BENEATH BOTTOM HEX NUT. TORQUE ALL HEX NUTS TO 57 FT-LBS.



**ASSEMBLY INSTRUCTIONS**

HANGING ANGLE MUST BE SUPPORTED WITH 1/2" - 13 TPI GRADE 5 (MINIMUM) ALL-THREAD. SANDWICH HANGING ANGLES AND CEILING ANCHOR POINTS WITH 1/2" GRADE 5 (MINIMUM) STEEL FLAT WASHERS AND 1/2" - 13 TPI GRADE 5 (MINIMUM) HEX NUTS AS SHOWN. MUST USE DOUBLED HEX NUT CONFIGURATION ABOVE CEILING ANCHORS. SINGLE HEX NUT BENEATH HANGING ANGLE IS ACCEPTABLE FOR FULL LENGTH HANGING ANGLES. MAINTAIN 1/4" OF EXPOSED THREADS BENEATH BOTTOM HEX NUT. TORQUE ALL HEX NUTS TO 57 FT-LBS.



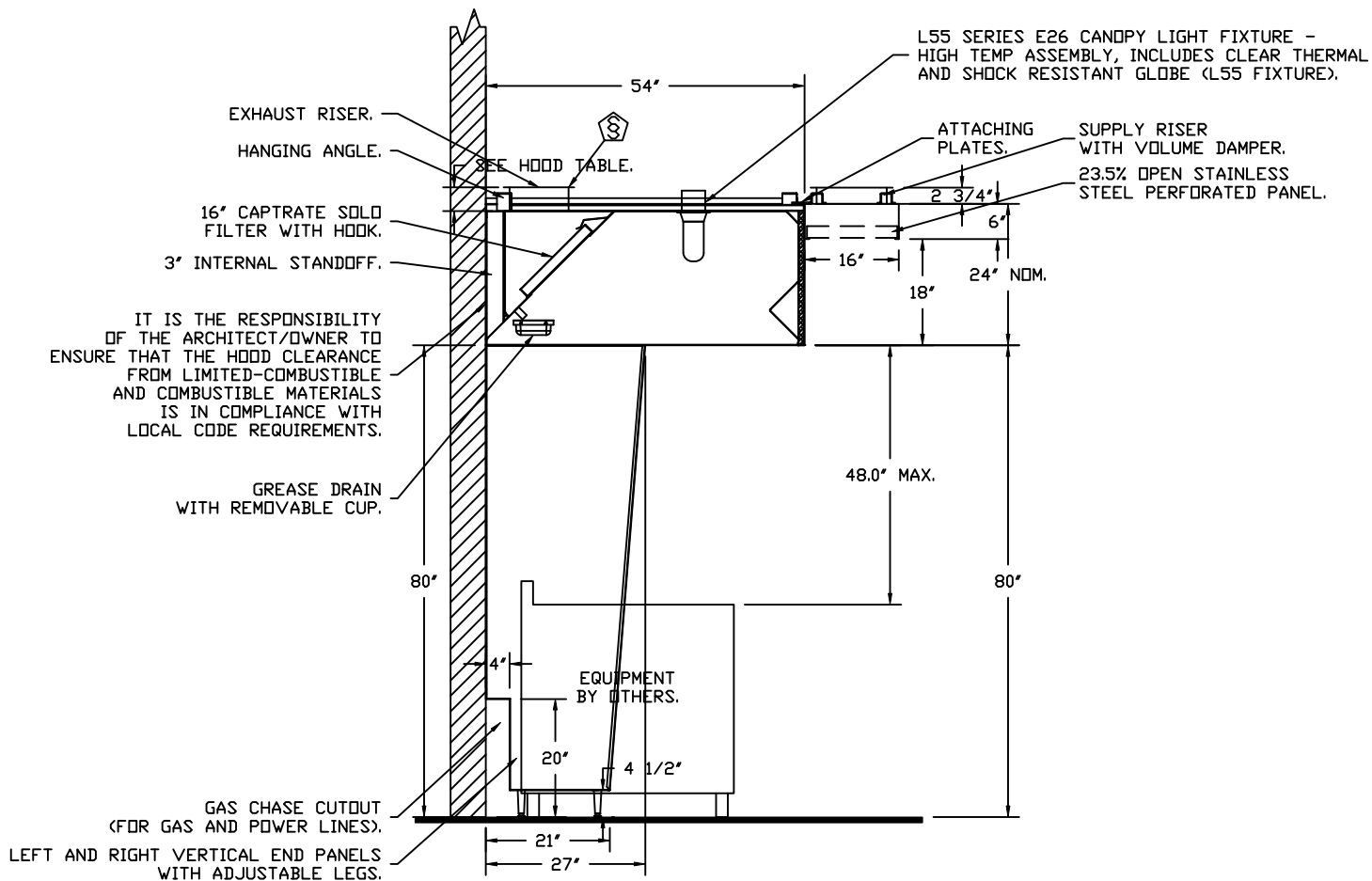
**ASSEMBLY INSTRUCTIONS**

HANGING ANGLE MUST BE SUPPORTED WITH 1/2" - 13 TPI GRADE 5 (MINIMUM) ALL-THREAD. SANDWICH HANGING ANGLES AND CEILING ANCHOR POINTS WITH 1/2" GRADE 5 (MINIMUM) STEEL FLAT WASHERS AND 1/2" - 13 TPI GRADE 5 (MINIMUM) HEX NUTS AS SHOWN. MUST USE DOUBLED HEX NUT CONFIGURATION ABOVE CEILING ANCHORS. SINGLE HEX NUT BENEATH HANGING ANGLE IS ACCEPTABLE FOR PSP HANGING ANGLES. MAINTAIN 1/4" OF EXPOSED THREADS BENEATH BOTTOM HEX NUT. TORQUE ALL HEX NUTS TO 57 FT-LBS.



FloAire

JOB10' Nonheated UC Left** Hood Stock	
LOCATION ,	
DATE 3/20/2023	JOB # 5910315
DWG # 2	DRAWN BY courtneyh
REV.	SCALE 3/8" = 1'-0"



**SECTION VIEW - MODEL 5424FX-2-PSP-F**  
**HOOD - #1 (10' Nonheated)**



FloAire

JOB 10' Nonheated UC Left** Hood Stock	
LOCATION ,	
DATE 3/20/2023	JOB # 5910315
DWG # 3	DRAWN BY courtneyh
REV.	SCALE 3/8" = 1'-0"

**EXHAUST FAN INFORMATION - JOB#5910315**

FAN UNIT NO	TAG	QTY	FAN UNIT MODEL #	MANUFACTURER	CFM	ESP	RPM	MOTOR ENCL	HP	BHP	PHASE	VOLT	FLA	DISCHARGE VELOCITY	WEIGHT (LBS)	SONES
1	10' NONHEATED	1	DUB5H	FLOAIRE	2340	1.100	1588	TEAD-ECM	1.000	0.7240	1	115	11.6	741 FPM	98	17.2

**MUA FAN INFORMATION - JOB#5910315**

FAN UNIT NO	TAG	QTY	FAN UNIT MODEL #	BLOWER	HOUSING	MIN CFM	DESIGN CFM	ESP	RPM	MOTOR ENCL	HP	BHP	PHASE	VOLT	FLA	MCA	MDCP	WEIGHT (LBS)	SONES
2	10' NONHEATED	1	SA10	G10D	A1	-	1872	0.300	788	TEAD-ECM	1.000	0.3890	1	115	11.6	15.6A	25A	244	15

**FAN OPTIONS**

FAN UNIT NO	TAG	QTY	DESCRIPTION
1	10' NONHEATED	1	GREASE BOX
		1	HINGE KIT - SHIPS LOOSE FOR CURB SUPPLIED BY OTHERS
		1	ECM WIRING PACKAGE - EXHAUST - MODBUS CONTROL -MSC- (TELCD), CCW ROTATION
		1	2 YEAR PARTS WARRANTY
2	10' NONHEATED	1	MOTORIZED BACKDRAFT DAMPER FOR SIZE 1 HOUSING - MEETS AMCA CLASS 1A RATING
		1	SIZE 1 UNTEMPERED COMMERCIAL DOWN DISCHARGE FOR DIRECT DRIVE AHUS
		1	ECM WIRING PACKAGE-SUPPLY - MODBUS CONTROL -MSC- (TELCD), CW ROTATION
		1	2 YEAR PARTS WARRANTY

**FAN ACCESSORIES**

FAN UNIT NO	TAG	EXHAUST			SUPPLY			
		GREASE CUP	GRAVITY DAMPER	WALL MOUNT	SIDE DISCHARGE	GRAVITY DAMPER	MOTORIZED DAMPER	WALL MOUNT
1	10' NONHEATED	YES						
2	10' NONHEATED						YES	

**CURB ASSEMBLIES**

NO	DN FAN	TAG	WEIGHT	ITEM	SIZE
1	# 1	10' NONHEATED	32 LBS	CURB	23.000"W X 23.000"L X 20.000"H ALONG LENGTH, RIGHT VENTED.
2	# 2	10' NONHEATED	29 LBS	CURB	21.000"W X 21.000"L X 20.000"H ALONG LENGTH, RIGHT.

**FAN SOUND DATA**

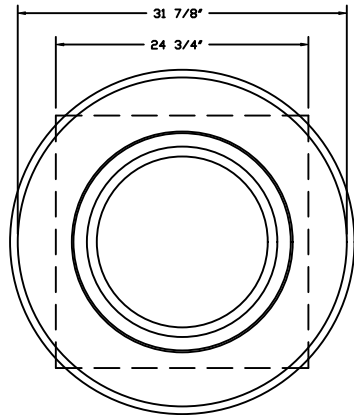
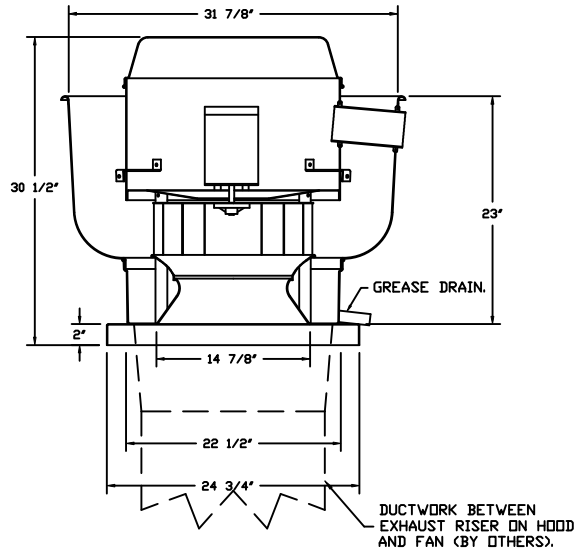
FAN UNIT NO	TAG	MOTOR	SOUND DATA			OCTAVE BAND SOUND DATA								
			LWA	SONES @ 5 FT	DBA @ 5 FT	DISTANCE (FT)	63 HZ	125 HZ	250 HZ	500 HZ	1 KHZ	2 KHZ	4 KHZ	8 KHZ
1	10' NONHEATED	EXHAUST	80.5	17.1767011270497	69	5	81.2	81.2	84.9	76.8	72.9	71.1	67.8	61.6
2	10' NONHEATED	SUPPLY	78.5	14.9519830203381	67	5	80.8	78.8	77.2	74.1	73.6	71.6	66.7	63.7



FloAire

JOB10' Nonheated UC Left** Hood Stock	
LOCATION ,	
DATE 3/20/2023	JOB # 5910315
DWG # 4	DRAWN BY courtneyh
REV.	SCALE 3/8" = 1'-0"

FAN #1 DU85H - EXHAUST FAN (10' NONHEATED)



TOP VIEW

**FEATURES:**

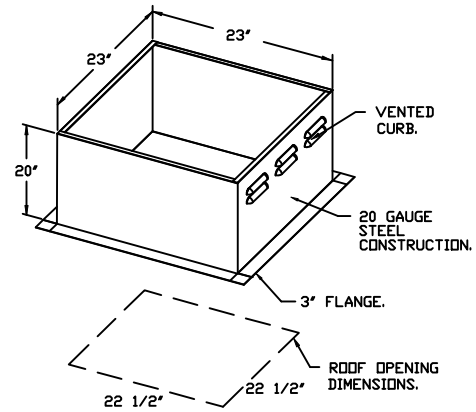
- DIRECT DRIVE CONSTRUCTION (NO BELTS/PULLEYS).
- ROOF MOUNTED FANS.
- RESTAURANT MODEL.
- UL705 AND UL762 AND ULC-S645
- VARIABLE SPEED CONTROL.
- INTERNAL WIRING.
- THERMAL OVERLOAD PROTECTION (SINGLE PHASE).
- HIGH HEAT OPERATION 300°F (149°C).
- GREASE CLASSIFICATION TESTING.
- NEMA 3R SAFETY DISCONNECT SWITCH.

**NORMAL TEMPERATURE TEST**  
 EXHAUST FAN MUST OPERATE CONTINUOUSLY WHILE EXHAUSTING AIR AT 300°F (149°C) UNTIL ALL FAN PARTS HAVE REACHED THERMAL EQUILIBRIUM, AND WITHOUT ANY DETERIORATING EFFECTS TO THE FAN WHICH WOULD CAUSE UNSAFE OPERATION.

**ABNORMAL FLARE-UP TEST**  
 EXHAUST FAN MUST OPERATE CONTINUOUSLY WHILE EXHAUSTING BURNING GREASE VAPORS AT 600°F (316°C) FOR A PERIOD OF 15 MINUTES WITHOUT THE FAN BECOMING DAMAGED TO ANY EXTENT THAT COULD CAUSE AN UNSAFE CONDITION.

**OPTIONS**

- GREASE BOX.
- HINGE KIT - SHIPS LOOSE FOR CURB SUPPLIED BY OTHERS.
- ECM WIRING PACKAGE - EXHAUST - MODBUS CONTROL
- MSC- (TELCO), CCW ROTATION.
- 2 YEAR PARTS WARRANTY.

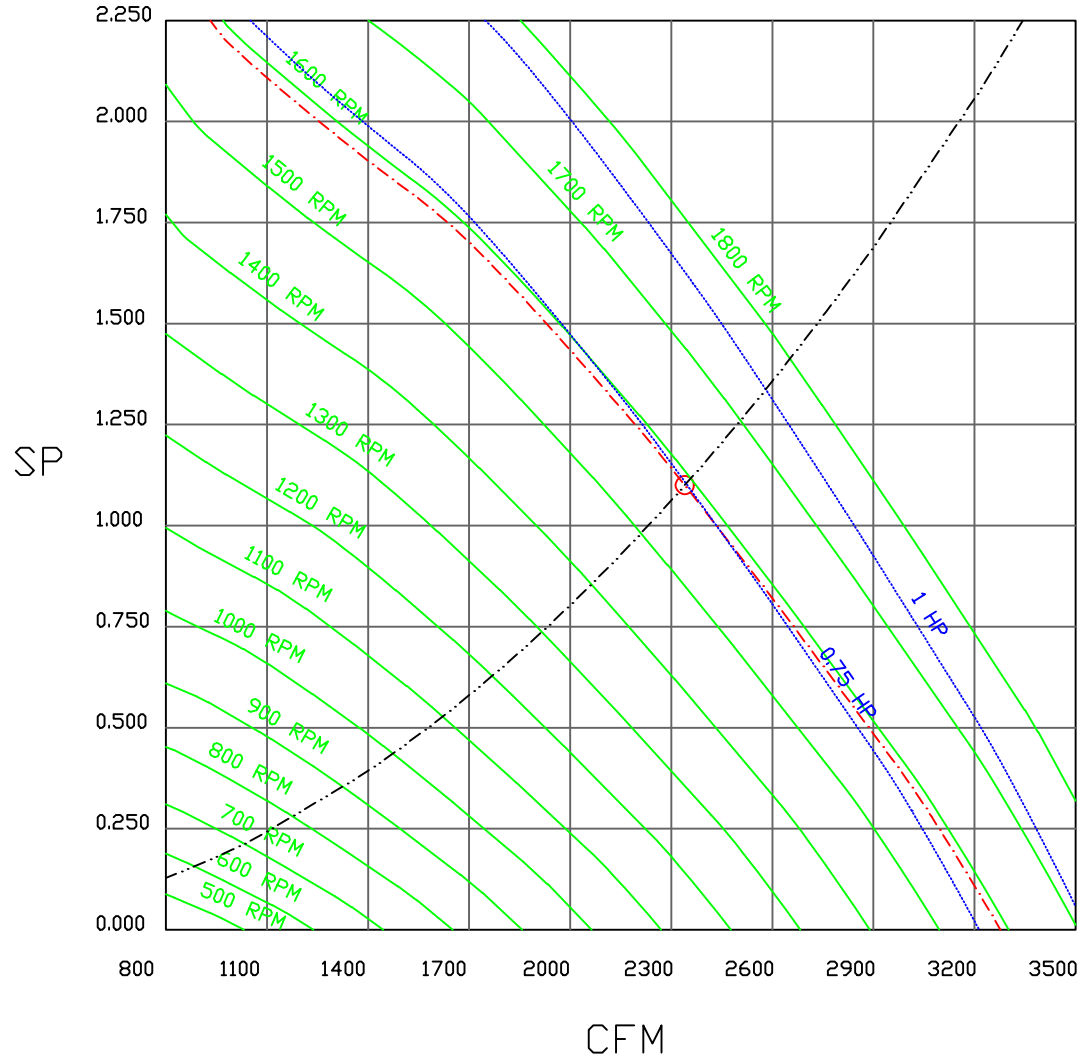


FloAire

JOB10' Nonheated UC Left** Hood Stock	
LOCATION ,	
DATE 3/20/2023	JOB # 5910315
DWG # 5	DRAWN BY courtneyh
REV.	SCALE 3/8" = 1'-0"

FAN#1 (10' NONHEATED) - EXHAUST PERFORMANCE CURVES.

2340 CFM, 1.1 SP @ 1588 RPM AND 0.724 BHP AT 0 FEET AND 120 DEG F.  
 \* PLEASE NOTE THAT THESE CURVES WERE ADJUSTED FOR JOB SPECIFIC TEMPERATURE AND ALTITUDE.



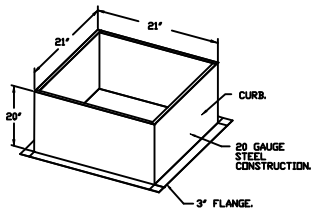
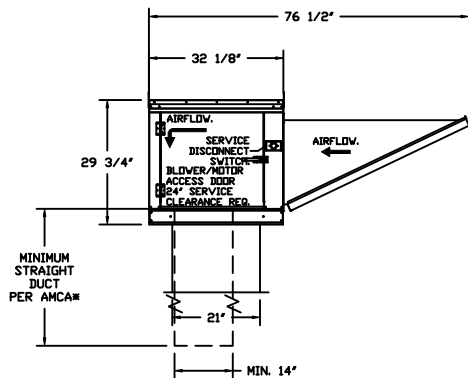
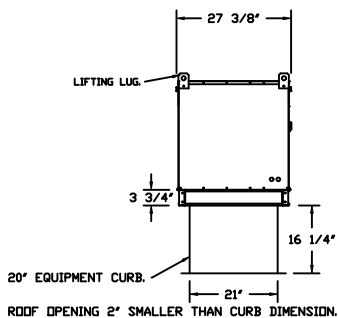
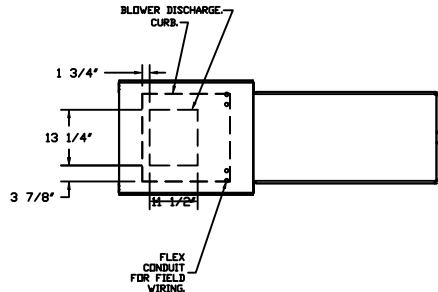
FloAire

JOB10' Nonheated UC Left** Hood Stock	
LOCATION ,	
DATE 3/20/2023	JOB # 5910315
DWG # 6	DRAWN BY courtneyh
REV.	SCALE 3/8" = 1'-0"

FAN #2 SA10D - SUPPLY FAN (10' NONHEATED)

1. DIRECT DRIVE UNTEMPERED SUPPLY UNIT WITH 10' BLOWER IN SIZE #1 HOUSING WITH SPEED CONTROL, DISCONNECT SWITCH.
2. INTAKE HOOD WITH E2 FILTERS.
3. DOWN DISCHARGE - AIR FLOW RIGHT -> LEFT.
4. MOTORIZED BACK DRAFT DAMPER 16" X 18" FOR SIZE 1 UNTEMPERED UNITS W/EXTENDED SHAFT, STANDARD GALVANIZED CONSTRUCTION, 3/4" REAR FLANGE, LOW LEAKAGE, TFB120S ACTUATOR INCLUDED.
5. DOWN DISCHARGE CONSTRUCTION FOR SIZE 1 UNTEMPERED DIRECT DRIVE AHUS.
6. ECM WIRING PACKAGE MODBUS CONTROL FOR SUPPLY EC MOTORS. MSC CONTROLLER. \*\*DO NOT ORDER UNDER WARRANTY, SEE PART NUMBER \*CAS MSC\*\*.
7. HINGED DOUBLE WALL INSULATED DDDR ASSEMBLY (BURNER/BLOWER SECTION).
8. 2 YEAR PARTS WARRANTY

\*\*NOTE: SUPPLY DUCT MUST BE INSTALLED TO MEET SMACNA STANDARDS. A MINIMUM STRAIGHT DUCT LENGTH MUST BE MAINTAINED DOWNSTREAM OF UNIT DISCHARGE AS OUTLINED IN AMCA PUBLICATION 201. WHEN USING RECTANGULAR DUCTWORK, ELBOWS MUST BE RADIUS THROAT, RADIUS BACK WITH TURNING VANES. FLEXIBLE DUCTWORK AND SQUARE THROAT/SQUARE BACK ELBOWS SHOULD NOT BE USED. ANY TRANSITION AND/OR TURNS IN THE DUCTWORK WILL CAUSE SYSTEM EFFECT. SYSTEM EFFECT WILL DRASTICALLY INCREASE STATIC PRESSURE AND REDUCE AIRFLOW. DO NOT RELY ON UNIT TO SUPPORT DUCT IN ANY WAY. FAILURE TO PROPERLY SIZE DUCTWORK MAY CAUSE SYSTEM EFFECTS AND REDUCE PERFORMANCE OF THE EQUIPMENT. SUGGESTED STRAIGHT DUCT SIZE IS 14" X 14".

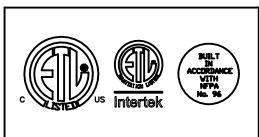
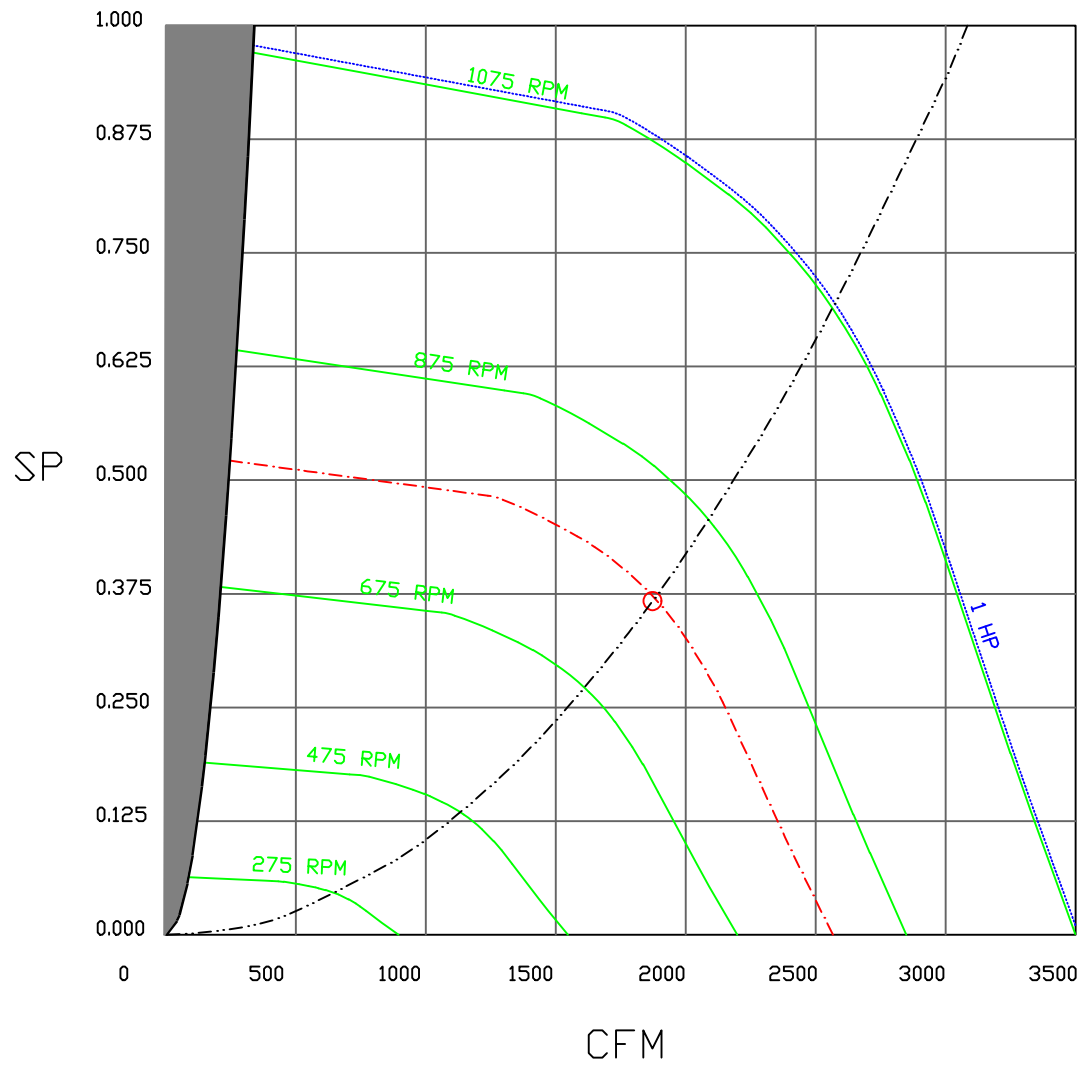


FloAire

JOB10' Nonheated UC Left** Hood Stock	
LOCATION ,	
DATE 3/20/2023	JOB # 5910315
DWG # 7	DRAWN BY courtneyh
REV.	SCALE 1/4" = 1'-0"

FAN#2 (10' NONHEATED) - SUPPLY PERFORMANCE CURVES.

1872 CFM, 0.367 SP @ 788 RPM AND 0.389 BHP AT 0 FEET AND 70 DEG F.  
 \* PLEASE NOTE THAT THESE CURVES WERE ADJUSTED FOR JOB SPECIFIC TEMPERATURE AND ALTITUDE.



FloAire

JOB 10' Nonheated UC Left** Hood Stock	
LOCATION ,	
DATE 3/20/2023	JOB # 5910315
DWG # 8	DRAWN BY courtneyh
REV.	SCALE 3/8" = 1'-0"





**GREASE DUCT & CHIMNEY SPECIFICATIONS:**

PROVIDE GREASE DUCT EQUAL TO FLOAIRE MODEL "FDW"  
ROUND 20 GAUGE 430 STAINLESS STEEL DUCTWORK. MODEL "FDW"  
IS LISTED TO UL-1978 AND IS INSTALLED USING "V" CLAMP LOCKING  
CONNECTIONS SEALED WITH 3M FIRE BARRIER 2000 PLUS. MODEL "FDW"  
DOES NOT REQUIRE WELDING PROVIDING IT HAS BEEN INSTALLED PER  
THE MANUFACTURES INSTALLATION GUIDE.

PROVIDE RATED ACCESS DOORS AT EVERY CHANGE IN DIRECTION AND EVERY 12' ON CENTER.  
PER MANUFACTURES LISTING MODEL "FDW" HORIZONTAL RUNS LESS THAN 75 FT. CAN BE  
SLOPED 1/16" PER 12", HORIZONTAL RUNS MORE THAN 75 FT. CAN BE SLOPED 3/16" PER 12".  
DUCT SHOULD BE SLOPED AS MUCH AS POSSIBLE TO REDUCE THE CHANCE OF GREASE  
ACCUMULATION IN HORIZONTAL RUNS.

IF THE DUCT OR CHIMNEY IS WITHIN 18 INCHES OF COMBUSTIBLE MATERIAL, PROVIDE  
UL-2221 OR UL-103 HT LISTED DOUBLE WALL GREASE DUCT OR DOUBLE WALL CHIMNEY  
EQUAL TO FLOAIRE MODEL "FDW- 2R, 2R TYPE HT, 3R, OR 3Z" ROUND 20 GAUGE 430  
STAINLESS INNER DUCT INSULATED WITH A 24 GAUGE 430 STAINLESS OUTER SHELL.

**CUSTOMER APPROVAL TO MANUFACTURE:**

APPROVED AS NOTED	<input type="checkbox"/>
APPROVED WITH NO EXCEPTION TAKEN	<input type="checkbox"/>
REVISE AND RESUBMIT	<input type="checkbox"/>
SIGNATURE _____	
YOUR TITLE _____	DATE _____



FloAire

JOB 10' Nonheated UC Left** Hood Stock	
LOCATION ,	
DATE 3/20/2023	JOB # 5910315
DWG # 9	DRAWN BY courtneyh
REV.	SCALE 3/8" = 1'-0"

# GREASE BOX INSTALLATION

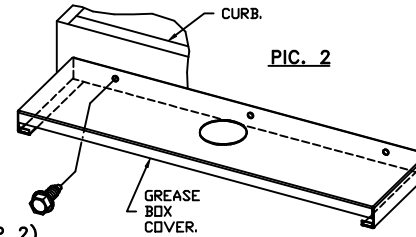
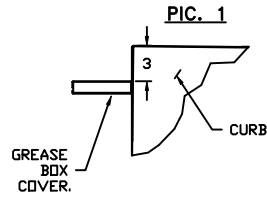
## PARTS INCLUDED

- GREASE BOX.
- GREASE BOX COVER.
- GREASE PIPE.
- SHEET METAL SCREWS  
3 - LONG (3/4" LG.).

## GREASE BOX FIELD INSTALLATION

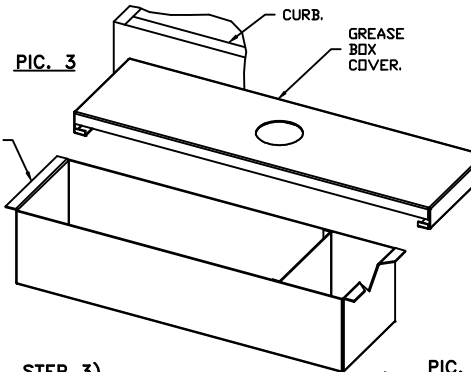
### STEP 1)

ATTACH GREASE BOX COVER TO THE CURB, HOLD 3" DIMENSION AS SHOWN ON PIC. 1. SCREW GREASE BOX COVER TO CURB USING (3) LONG (3/4" LG.) SCREWS AS SHOWN ON PIC. 2.



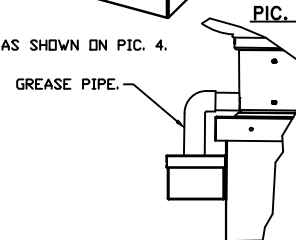
### STEP 2)

ATTACH GREASE BOX TO GREASE BOX COVER, SLIDE AND DROP AS SHOWN ON PIC. 3.

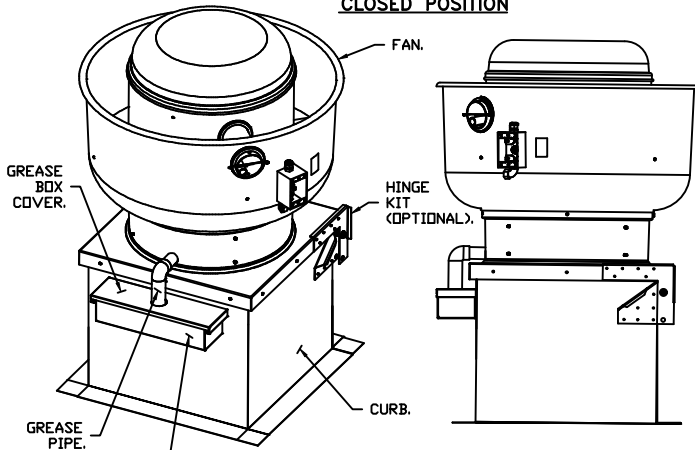


### STEP 3)

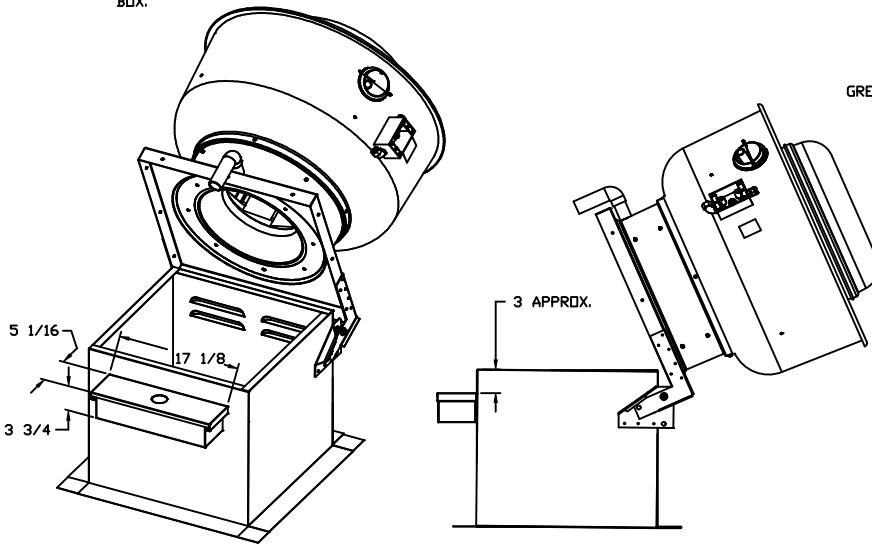
INSTALL GREASE PIPE AS SHOWN ON PIC. 4.



### CLOSED POSITION



### OPEN POSITION



\*NOTE: UL 705 INSTALL.



# FloAire

JOB 10' Nonheated UC Left** Hood Stock	
LOCATION ,	
DATE 3/20/2023	JOB # 5910315
DWG # 10	DRAWN BY courtneyh
REV.	SCALE 3/8" = 1'-0"

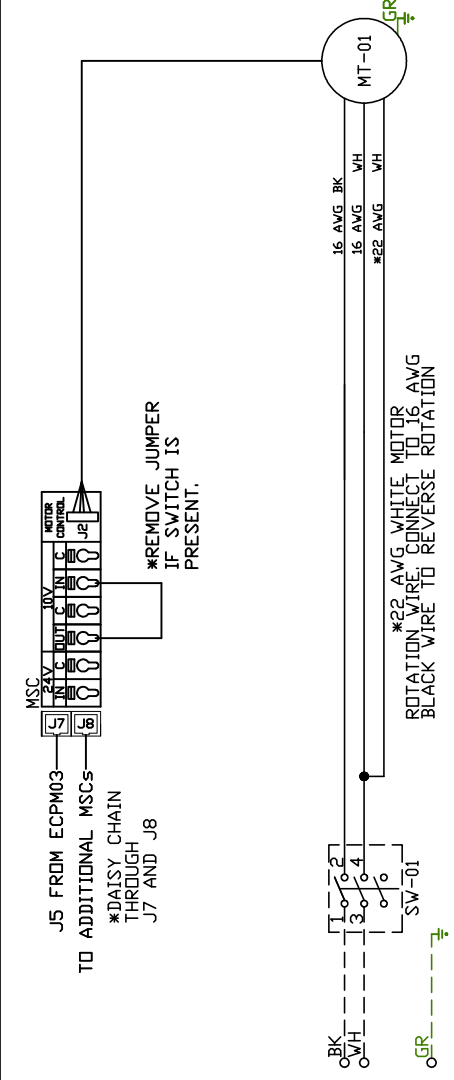
# Exhaust Fan Wiring

JOB 5910315 - 10' Nonheated UC Left\*\* Hood ...

DRAWING NUMBER EXH5910315-1

SHIP DATE 3/20/2023

MODEL DUB5H



1

2

3

4

5

6

7

8

9

10

11

12

13

14

15

16

17

18

19

20

21

22

23

## Installed Options

Label	Description	Location
MT-01	Fan Motor	[3]
MSC	Motor Speed Controller	[1]
SW-01	Main disconnect switch	[3]

Component Identification Location

EXHAUST MOTOR INFO  
1HP-115V-IP-11.6FLA

ELECTRICAL INFORMATION  
MOTOR/CTRL MCA: 14.5A  
MOTOR/CTRL MOP: 25A

NOTES  
--- DENOTES FIELD WIRING  
--- DENOTES INTERNAL WIRING

### WIRE COLOR

- BK - BLACK
- BL - BLUE
- BR - BROWN
- DR - ORANGE
- RD - RED
- WH - WHITE
- YW - YELLOW
- GR - GREEN
- GY - GRAY
- PR - PURPLE
- PK - PINK

# AirHandler Wiring

DRAWING NUMBER A5910315-2

SHIP DATE 3/20/2023

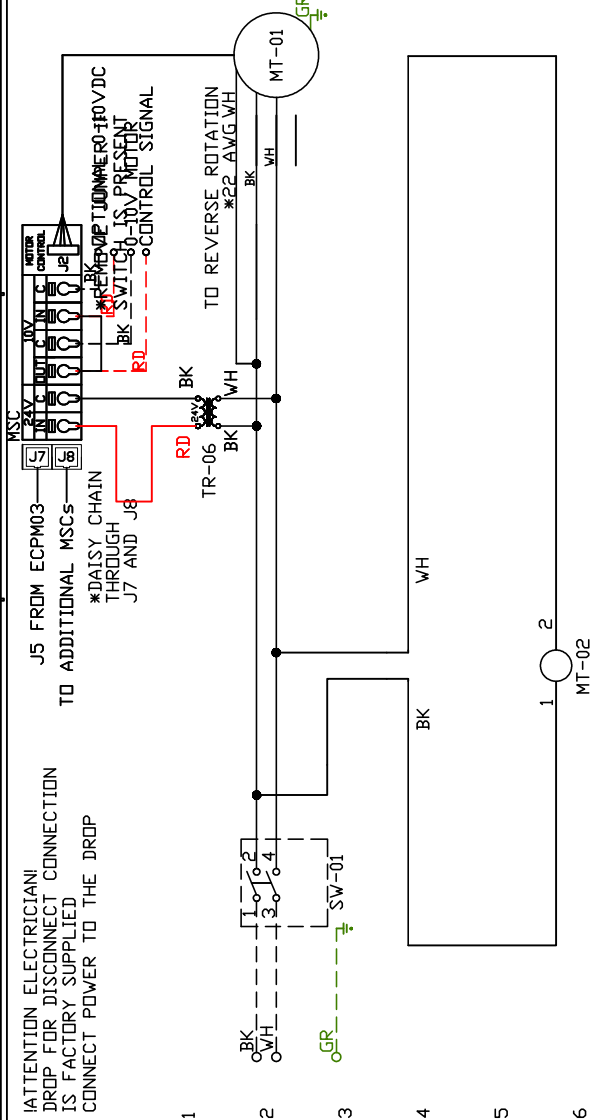
MODEL SA10

JOB 5910315 - 10' Nonheated UC Left\*\* Hood ...

ATTENTION ELECTRICIAN!  
 DROP FOR DISCONNECT CONNECTION  
 IS FACTORY SUPPLIED  
 CONNECT POWER TO THE DROP

J5 FROM ECPM03  
 TO ADDITIONAL MSCs

\*DAISY CHAIN  
 THROUGH  
 J7 AND J8



Installed Options  
 Motorized Back Draft Damper

Component Identification  
 Label Description Location

MT-01 Supply motor [2]  
 MT-02 Damper motor [5]

MSC Motor Speed Controller [1]

SW-01 Main disconnect switch [2]

TR-06 24VAC 20VA Transformer [1]

SUPPLY MOTOR INFO  
 1HP-115V-IP-11.6FLA

ELECTRICAL INFORMATION  
 MOTOR/CTRL CIRCUIT MCA: 15.6A  
 MOTOR/CTRL CIRCUIT MOP: 25A

NOTES  
 --- DENOTES FIELD WIRING  
 - - - - DENOTES INTERNAL WIRING

## WIRE COLOR

BK - BLACK YW - YELLOW  
 BL - BLUE GR - GREEN  
 BR - BROWN GY - GRAY  
 DR - ORANGE PR - PURPLE  
 RD - RED PK - PINK  
 WH - WHITE

**ELECTRICAL PACKAGE - JOB#5910315**

NO	TAG	PACKAGE #	LOCATION	SWITCHES		OPTION	FANS CONTROLLED					
				LOCATION	QUANTITY		FAN TAG	TYPE	φ	HP	VOLT	FLA
1	10'Nonheat	SC-111110MA	UTILITY CABINET LEFT	FACE MOUNT RIGHT SIDE OF HOOD	1 LIGHT	SMART CONTROLS THERMOSTATIC CONTROL W/ RELAY ON/OFF WITH SUPPLY	10' Nonheated	EXHAUST	1	1.000	115	11.6
				HOOD # 1	1 FAN		10' Nonheated	SUPPLY	1	1.000	115	11.6



FloAire

JOB 10' Nonheated UC Left** Hood Stock	
LOCATION ,	
DATE 3/20/2023	JOB # 5910315
DWG # 13	DRAWN BY courtneyh
REV.	SCALE 3/8" = 1'-0"

**JOB NO**  
5910315

**MODEL NUMBER**  
SC-11110MA

**DRAWN BY**  
INSTALL

**SCHEMATIC TYPE**  
INSTALL

**DESCRIPTION OF OPERATION:**

120V 1 Phase w/ control for 1 Exhaust Fan, 1 Supply Fan, Exhaust on In Fire, Lights out in Fire, Relay On/Off with Supply Fan, Fans On/Off Thermostatically Controlled. Room temperature sensor shipped loose for field installation.

**JOB NAME**  
10' Nonheated UC Left Hood ...

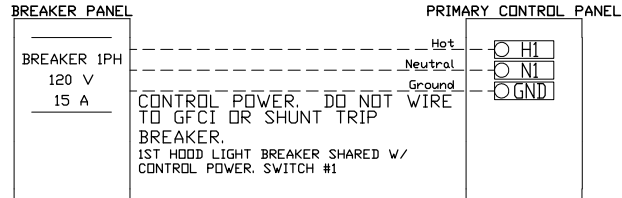
**DATE**  
3/20/2023

**DWG NO**  
ECP #1-1

**BREAKER PANEL TO PRIMARY CONTROL PANEL**

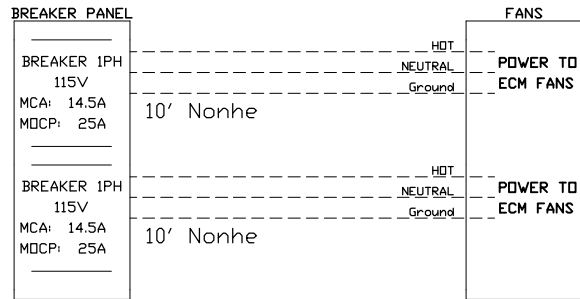
Responsibility: Electrician

BREAKER SIZE SHOWN IS THE MAXIMUM ALLOWED



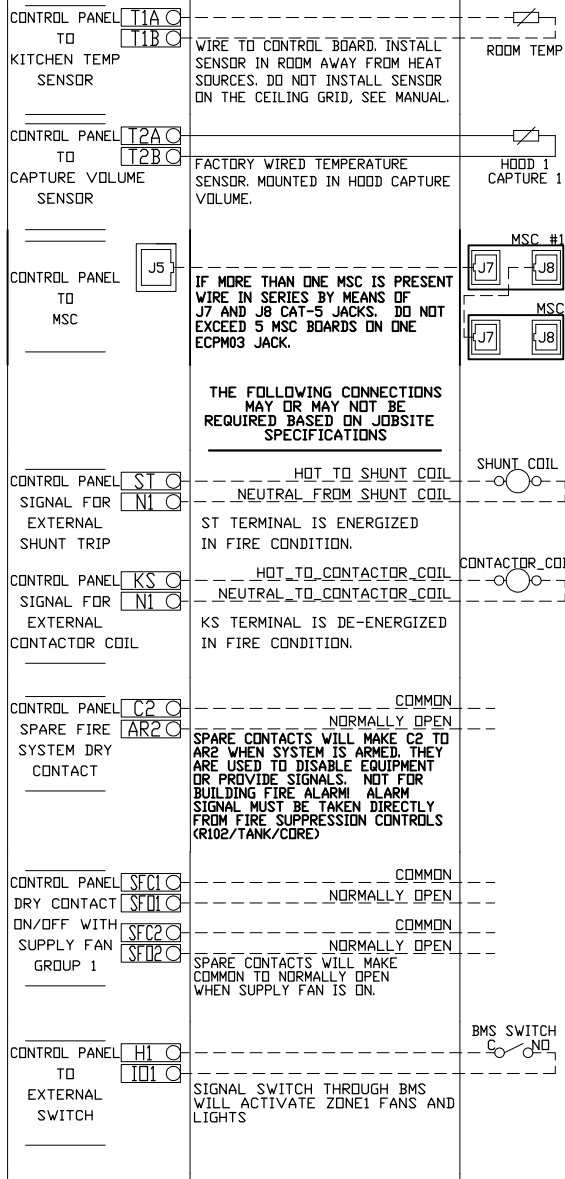
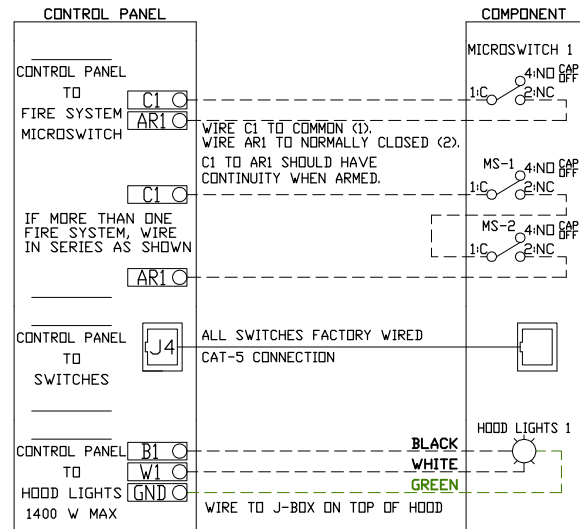
**BREAKER PANEL TO FANS**

Responsibility: Electrician

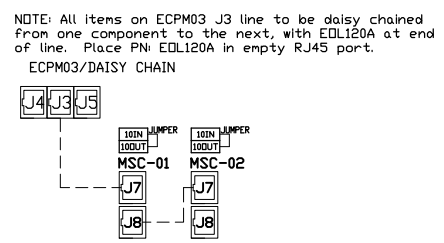
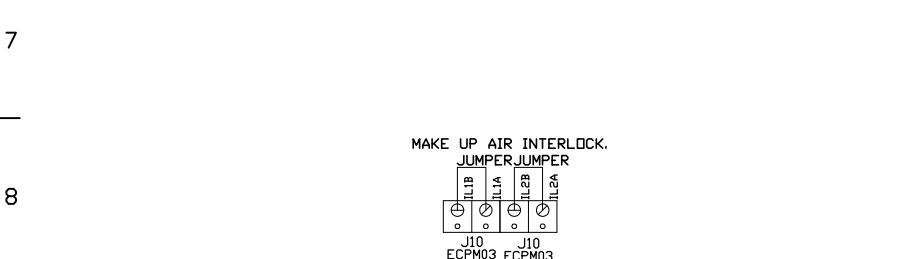
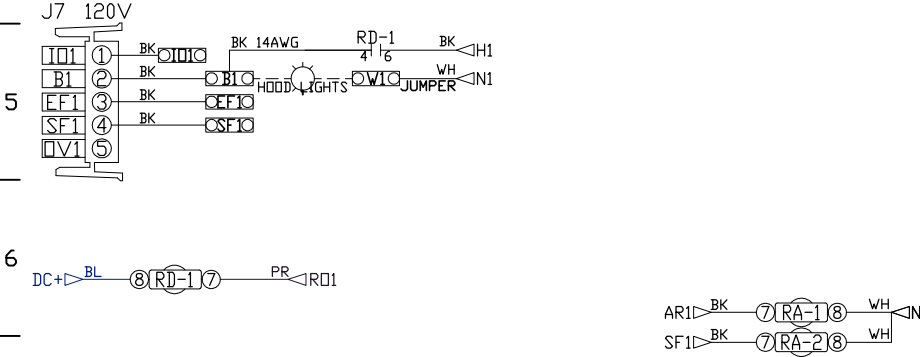
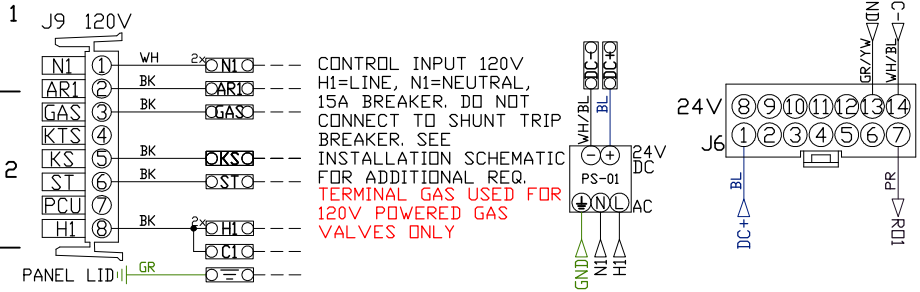


**CONTROL PANEL TO ACCESSORY ITEMS**

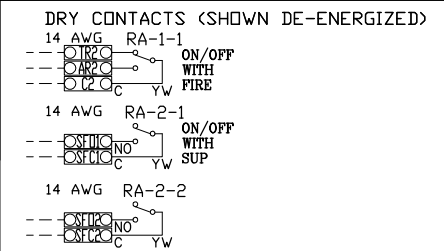
Responsibility: Electrician



UNLESS SPECIFIED OTHERWISE, ALL FACTORY AC WIRING 16 AWG. ALL FACTORY DC WIRING 18 AWG.



MOTOR POWER CIRCUIT



FACTORY WIRING SCHEMATIC CIRCUIT BOARDS

DCV Rev. 2.14.00  
HMI Rev. 2.14.00

RA-x 120 VAC RELAY	RD-x 24 VDC RELAY
NO 4 3	NO 4 3
NC 2 1	NC 2 1
COIL 8 7	COIL 8 7
COM 6 5	COM 6 5

COMPONENT LIST

LABEL	DESCRIPTION
ST-X	Starter varies
DL-X	Overload varies
C-X	Contactors varies
PS-1	Power Sup. 24VDC MDPI8-24A-1C
RA-x	120V Relay DPDT 34.110.0184.0
RD-x	24VDC Light Relay 34.110.0188.0
TS-x	Duct Thermostat A/CP-PD-T4'-EXPL

LEGEND

--- FIELD WIRING  
--- FACTORY WIRING

BK- BLACK YW- YELLOW  
BL- BLUE GY- GREY  
BR- BROWN PR- PURPLE  
DR- DRANGE RD- RED  
WH- WHITE GR- GREEN  
DR/BL- DR/BL STRIPE  
BL/RD- BL/RD STRIPE  
RD/GN- RD/GN STRIPE  
WH/BL- WH/BL STRIPE

JOB NAME  
10' Nonheated UC...

DRAWING TITLE  
SC-111110MA

DESCRIPTION OF OPERATION  
120V 1 Phase w/ control for 1 Exhaust Fan, 1 Supply Fan, Exhaust on in Fire, Lights out in Fire, Relay On/Off with Supply Fan, Fans On/Off Thermostatically Controlled. Room temperature sensor shipped loose for field installation.

JOB NO	DRAWN BY
5910315	
TYPE	DATE
FACTORY	3/20/2023
DWG NO	ECP #1-2