



3 PIECE FULL BORE BALL VALVE

Flo-Tite's Economical **Tri-Star Series**



MODELS:

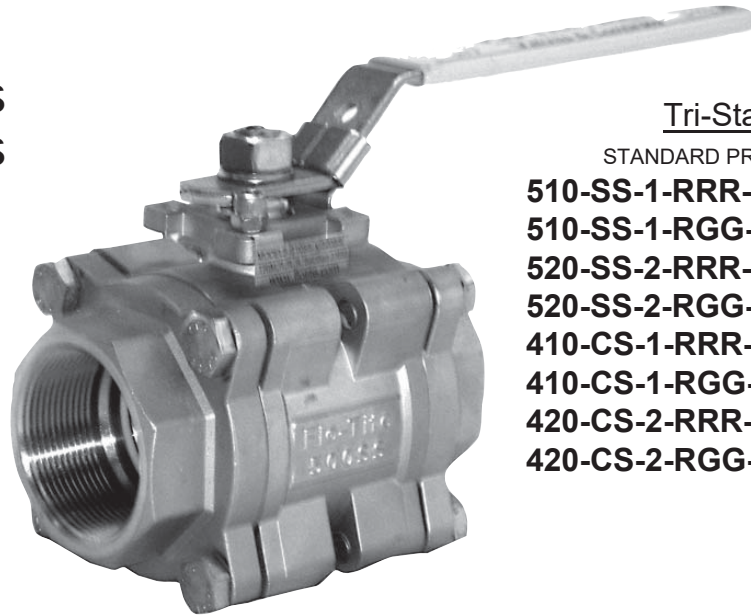
| | | | |
|-------|-----|---|-------|
| 510SS | NPT | - | 316SS |
| 520SS | SW | - | 316SS |
| 410CS | NPT | - | WCB |
| 420CS | SW | - | WCB |

PRESSURE RATING:

| | |
|------|----------|
| 1500 | MAWP/WOG |
| 150 | SWP |

SIZE RANGE:

1/4" Thru 2"



Tri-Star Series

STANDARD PRODUCT NUMBER

| | |
|-----------------------|------------------|
| 510-SS-1-RRR-L | (SS) |
| 510-SS-1-RGG-L | (SS - Fire Safe) |
| 520-SS-2-RRR-L | (SS) |
| 520-SS-2-RGG-L | (SS - Fire Safe) |
| 410-CS-1-RRR-L | (CS) |
| 410-CS-1-RGG-L | (CS - Fire Safe) |
| 420-CS-2-RRR-L | (CS) |
| 420-CS-2-RGG-L | (CS - Fire Safe) |

Fire Safe Design

DESIGN FEATURES

- ISO-5211 Type Pad
- Safety Locking Handle
- Reinforced PTFE Seats / Seals Standard
- Metal Name Plate Identifies all soft parts
- Cap Screws are used to insure precise alignment of valve center body & end cap.
- Swing-out body design for ease of maintenance

- Full Port Design improves flow resulting in increased process efficiencies.
- Blow-out proof stem
- Foundry Traceability
- Adjustable stem packing
- Triple Stem Seal V-Ring, O-Ring, Thrust Washer
- CE Certified
- Fire Safe Design Available

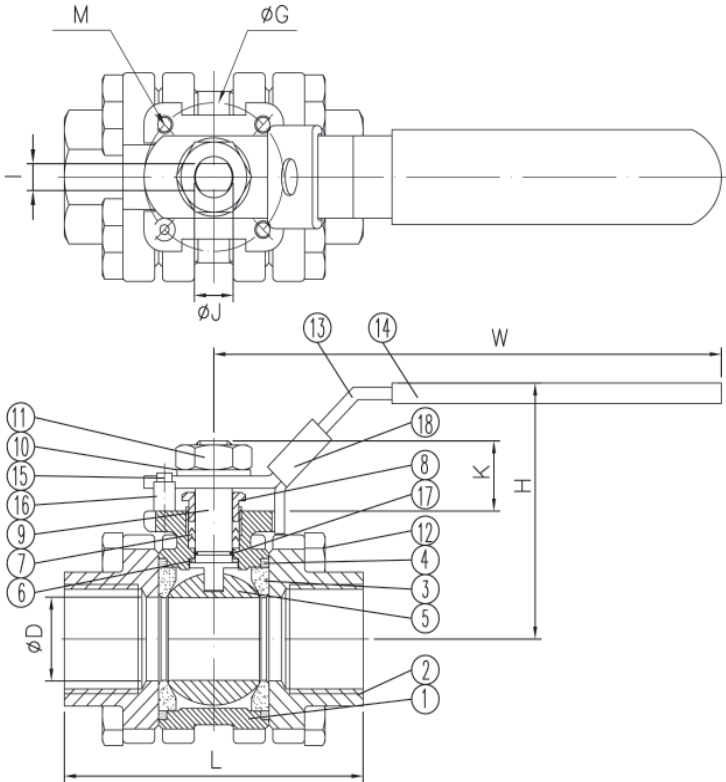
Ideally designed for chemical, textile, process, and contractor markets where quality and price are major considerations.

www.flotite.com

DESIGN & TECHNICAL DATA

3PC Tri-Star Series

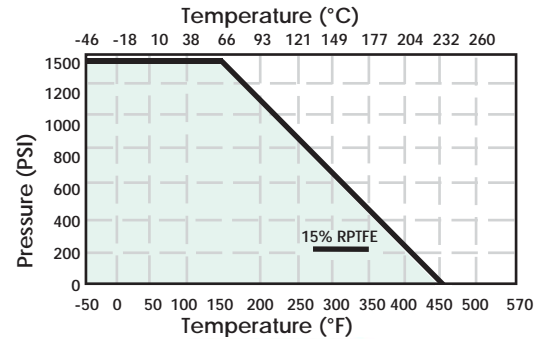
1500 MAWP/WOG / Full Port



Model Numbers :

| | | | |
|-------|-----|---|-------|
| 510SS | NPT | - | 316SS |
| 520SS | SW | - | 316SS |
| 410CS | NPT | - | WCB |
| 420CS | SW | - | WCB |

PRESSURE & TEMPERATURE DATA



ATTENTION
MAWP/WOG is a do not exceed pressure at normal ambient NPT & Weld End Models

Bill of Materials:

| NO. | PARTS | 510SS MODEL | 410CS MODEL | QTY |
|-----|-----------------|--------------------|-------------------|-----|
| 1 | Body | ASTM A351-CF8M | ASTM A216-WCB | 1 |
| 2 | End Caps | ASTM A351-CF8M | ASTM A216-WCB | 2 |
| 3 | Seats * | RPTFE | RPTFE | 2 |
| 4 | Gaskets * | RPTFE | RPTFE | 2 |
| 5 | Ball | ASTM A351-CF8M/316 | ASTM A351-CF8/304 | 1 |
| 6 | Thrust Washer * | RPTFE | RPTFE | 1 |
| 7 | Stem Packings * | RPTFE | RPTFE | set |
| 8 | Gland | AISI 304 | AISI 304 | 1 |
| 9 | Stem | ASTM A276-316 | ASTM A276-304 | 1 |
| 10 | Handle Washer | AISI 304 | AISI 304 | 1 |
| 11 | Handle Nut | AISI 304 | AISI 304 | 1 |
| 12 | Cap Screws | AISI 304 | Carbon Steel | 8 |
| 13 | Handle | AISI 304 | Zinc Plated Steel | 1 |
| 14 | Handle Cover | PVC | PVC | 1 |
| 15 | Stop Screw | AISI 304 | Carbon Steel | 1 |
| 16 | Nut | AISI 304 | Carbon Steel | 1 |
| 17 | O-Ring * | VITON | VITON | 1 |
| 18 | Locking Device | 304SS | 304SS | 1 |

* Parts included in repair kits

DIMENSIONS:

| SIZE | | ØD | | ØG | | H | | I | | ØJ | | K | | L | | W | | M | TORQUE | WEIGHT | ISO PAD | |
|--------|----|------|------|------|----|------|-------|------|----|------|----|------|------|------|-----|------|-----|------|--------|--------|---------|-----|
| inch | mm | inch | mm | inch | mm | inch | mm | inch | mm | inch | mm | inch | mm | inch | mm | inch | mm | inch | CV | lbs. | | |
| 1/4" | 8 | 0.41 | 10.5 | 1.42 | 36 | 2.17 | 55 | 0.20 | 5 | 0.31 | 8 | 0.35 | 9 | 2.56 | 65 | 5.31 | 135 | M5 | 53 | 7 | 0.93 | F03 |
| 3/8" | 10 | 0.49 | 12.5 | 1.42 | 36 | 2.17 | 55 | 0.20 | 5 | 0.31 | 8 | 0.35 | 9 | 2.56 | 65 | 5.31 | 135 | M5 | 53 | 10 | 0.95 | F03 |
| 1/2" | 15 | 0.59 | 15 | 1.42 | 36 | 2.35 | 59.8 | 0.20 | 5 | 0.31 | 8 | 0.45 | 11.5 | 2.76 | 70 | 5.31 | 135 | M5 | 69 | 15 | 1.32 | F03 |
| 3/4" | 20 | 0.79 | 20 | 1.42 | 36 | 2.46 | 62.5 | 0.24 | 6 | 0.39 | 10 | 0.59 | 15 | 3.15 | 80 | 5.31 | 135 | M5 | 88 | 40 | 1.96 | F03 |
| 1" | 25 | 1.00 | 25 | 1.65 | 42 | 2.72 | 69 | 0.31 | 8 | 0.47 | 12 | 0.63 | 16 | 3.54 | 90 | 6.50 | 165 | M5 | 116 | 70 | 2.76 | F04 |
| 1 1/4" | 32 | 1.26 | 32 | 1.65 | 42 | 3.09 | 78.5 | 0.31 | 8 | 0.47 | 12 | 0.63 | 18 | 4.13 | 105 | 6.50 | 165 | M5 | 188 | 120 | 4.39 | F04 |
| 1 1/2" | 40 | 1.50 | 38 | 1.97 | 50 | 3.59 | 91.3 | 0.31 | 8 | 0.55 | 14 | 0.79 | 20 | 4.72 | 120 | 6.89 | 175 | M6 | 390 | 200 | 6.15 | F05 |
| 2" | 50 | 1.97 | 50 | 1.97 | 50 | 3.96 | 100.5 | 0.31 | 8 | 0.55 | 14 | 0.79 | 20 | 5.28 | 134 | 8.66 | 220 | M6 | 480 | 370 | 9.37 | F05 |

SPECIFICATION STANDARDS:

- All valves shell and seat tested to ANSI/ASME B16.34 & API 598
- Federal specification WWV-35, Type II
- End Connections
Threaded ASME B1.20.1 FNPT
Socket Weld ASME B16.11
- All materials comply with applicable ASTM material specifications
- Safety lock handle, meets requirements of OSHA 1910-147
- 1500 PSIG WOG, Cold non-shock
150 PSIG Saturated steam
- Fire safe design available C/F



Flo-Tite, Inc.
4815 West 5th St.
Lumberton, NC 28358

P. O. Box 1293
Lumberton, NC 28359
Website: www.flotite.com

Tel: (910) 738-8904
Fax: (910) 738-9112
E-mail: flotite@flotite.com