



1 PC REDUCE BORE THREADED / FIRE SAFE

Omni Series

Model - T12

Size Range

½" ~ 2"

Operating Range

-20° ~ 450°F

Maximum Pressures

2000 PSI CWP

175 PSI SWP

**Available in
316SS or WCB**

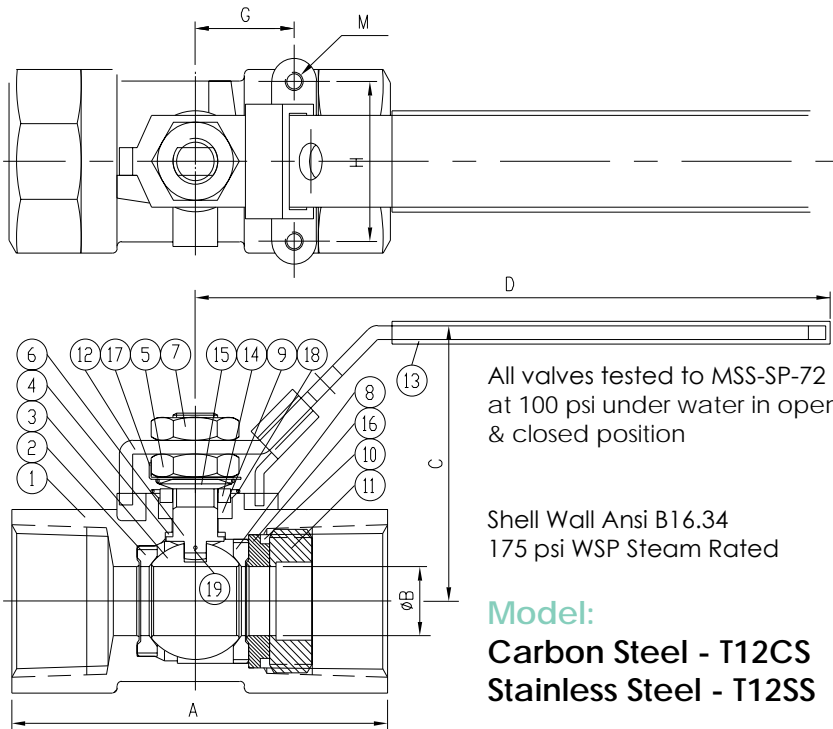


DESIGN FEATURES

- Economical 1-PC Design compact unibody delivers outstanding high pressure service in a cost effective package
- Replaceable seats and seals
- All bodies are marked with a foundry heat number for full traceability
- Adjustable stem packing
- one piece body minimizes potential leak paths
- Fire Safe Certified to API607 4th Edition
- Seats - 25% carbon-PTFE
- Graphite packing
- Anti-static devices as standard, grounding ball & stem to body
- Safety locking handle lever & oval types
- Blow-out proof stem
- Actuator mounting pad

Designed for Economical High Pressure Applications

Design & Technical Data



All valves tested to MSS-SP-72 at 100 psi under water in open & closed position

Shell Wall Ansi B16.34
175 psi WSP Steam Rated

Model:
Carbon Steel - T12CS
Stainless Steel - T12SS

BILL OF MATERIALS:

Item	Part Name	T12-SS	T12-CS	Qty.
1	Body	A351 CF8M	A216 WCB	1
2	Seat #	25% Carbon PTFE	25% Carbon PTFE	1
3	Ball	A351 CF8M	A351 CF8	1
4	Thrust Washer#	PTFE	PTFE	1
5	Packing Nut	SS304	SS304	1
6	Stem	A276 316	A276 304	1
7	Handle Nut	SS304	Zinc Plated C.S.	1
8	Seat	25% Carbon PTFE	25% Carbon PTFE	1
9	Packing#	Graphite	Graphite	1
10	Body Gasket#	Graphite	Graphite	2
11	Retainer Nut	A351 CF8M	A216 WCB	1
12	Handle	SS304	Zinc Plated C.S.	1
13	Handle Cover	PVC	PVC	1
14	Packing Follower	SS304	SS304	1
15	Belleville Washer	SS301	SS301	2
16	Seat Retainer	A351 CF8M	A216 WCB	1
17	Lock Washer	SS304	SS304	1
18	Anti-Static Spring*	SS301	SS301	2
19	Anti-Static Device	SS316	SS304	1

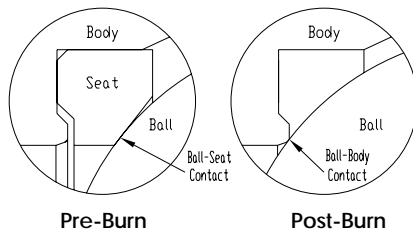
Parts included in the repair kits

Conform to:

- API STANDARD 6D
- ANSI B1.20.1 Threaded End NPT
- Fire Safe Testing API607-4
- NACE MR-01-75

Dimensions & Technical Data

SIZE	A	B	C	D	G	H	M	Cv	Torque In-Lb	Weight Lbs
1/4"	2.64	1.73	1.73	4.37	0.50	1.12	#10-24UNC	2	60	0.7
3/8"	2.64	0.35	1.73	4.37	0.50	1.12	#10-24UNC	2.5	60	0.68
1/2"	2.64	0.35	1.73	4.37	0.50	1.12	#10-24UNC	5	76	0.6
3/4"	2.80	0.49	1.89	4.37	0.50	1.12	#10-24UNC	10	102	0.82
1"	3.31	0.59	2.36	5.55	0.87	1.37	#10-24UNC	15	182	1.31
1-1/4"	3.70	0.79	2.56	5.55	0.87	1.37	#10-24UNC	25	245	2.01
1-1/2"	3.94	0.98	2.80	6.34	0.93	1.50	1/4-20UNC	40	356	2.80
2"	4.65	1.26	3.03	6.34	0.93	1.50	1/4-20UNC	60	560	4.21



FIRE SAFE, Flo-Tite's Model T12 valves are supplied as standard with graphite stem packing and body seal. Valves are certified fire safe. In the event of a fire, after heat destroys the primary resilient seat, the ball makes contact with the secondary metal seat, forming a secure seal. The graphite body seal prevents external leakage. The graphite live-loaded stem packing prevents stem leakage. All valves have anti-static devices as standard, grounding ball and stem to body.

