



Flo-Tite Fusion Series

Models T23 (*Fire Safe*)

2PC, 2000 WOG, Threaded Ends FULL PORT

Installation, Operation and Maintenance Manual

Note: Before using a valve, read the entire IOM carefully and make sure you have a clear understanding of all information included.

This manual describes the procedures for the safe and efficient installation, operation, and maintenance of Flo-Tite Fusion Series Ball Valves. **Failure to follow the procedures in this manual may result in Flo-Tite warranties being voided.** Problems with the operation and maintenance of these valves should be directed to the nearest Flo-Tite Representative.

The Flo-Tite T23 is designed as a split body, two-piece construction, to allow ease of access for maintenance of the valve ball and seat without special tools. This line of valves utilizes the “free-floating” ball principle. The ball is not fixed but is free to move with the line pressure. As a result, these valves are capable of tight shut-off with the flow in either direction or dead-ended, regardless of the position of the valve in the line. The downstream seat, which is opposite the pressurized side, of a closed valve, must carry the load exerted by the line pressure on the ball, while the upstream seat is subject to little load or wear. For this reason, it is sometimes possible to increase useful seat life by turning the valve end-for-end in the pipeline.

NOTE:

Please note that Model T23 is supplied in one size ranges, 1/2” to 4”.

INSTALLATION:

A. Receiving and Preparation Procedure

- A1. Remove shipping protection
- A2. Inspect the valve(s) for transportation damage*
- A3. Inspect the valve bore and remove any debris
- A4. Cycle the valve and inspect the valve for smooth operation, size permitting
- A5. As shipped from the factory, valves may contain a silicone based lubricant. This is for break-in and may be removed if it is objectionable for a particular application by disassembling and solvent washing.

*If transportation damage is found, immediately take pictures for record purposes and contact the inbound carrier to submit a claim.

B. Installation Procedure

B1. General – The valve may be fitted in any position in the pipeline. Prior to installing the valve, the pipe on either side of the intended installation should be checked to be free of dirt, debris, weld slag, etc. to prevent damage to the seats, seals, and surface of the ball. The piping must also be free of tension or compression.

WARNING – Never use the valve as pipe support or structural member.

B2. Installation of T23 valve is accomplished by inserting the valve between the mating threads of piping specified by industry standards.

Caution – Ensure that mating threads are of the same size and thread standard.

B3. Valves with actuators should be checked for actuator-valve alignment. Angular or linear misalignment will result in high operational torque. Electric and/or pneumatic connections should be made in accordance with the correct actuator IOM instructions.

C. OPERATION:

C1. Manual operation of the valve is accomplished by turning the handle ¼ turn (90 degrees).

*The valve is open when the handle is “in-line” with the valve or pipeline. The valve is closed when the handle is “across” or perpendicular to the valve or pipeline.

C2. Flo-Tite Fusion Series valves can be operated with either electric or pneumatic actuators. Please consult the factory for installation.

C3. Flo-Tite Fusion Series valves may include one of several different styles of limit switches and positioners. Please refer to the appropriate IOM for each device.

MAINTENANCE:

CAUTION – Ball valves can trap fluid in the ball cavity when closed. Be prepared to capture and manage any liquid retained in the valve body when disassembling the valve.

WARNING – **If the valve has been in hazardous fluid service, review applicable MSDS sheet and decontaminate the valve before disassembly. All persons involved with the disassembly should wear personal protection equipment such as aprons, gloves, face shield, etc. to prevent personal injury.**

Access to the valve internals starts with relieving pressure in the pipeline. Turn the valve handle to the 45 degrees, half open, position and flush the line, when applicable, to remove any hazardous material from the line.

CAUTION - Valves with actuators, limit switches or positioners should have these devices disassembled from the valve prior to disassembling of the valve.

WARNING- **Use extreme caution disconnecting any electrical and/or pneumatic sources to the valve to protect against personal injury. Isolate the valve actuator prior to disconnecting.**

Stem Packing

Stem seal leakage may be corrected without disassembly. Tighten the packing gland nuts one flat at a time alternating between nuts, until leakage stops.

WARNING- **Do not remove packing gland while the line is under pressure. Personal injury could occur.**

Visual Inspection-

Clean and inspect all metal parts. It is not necessary to replace the ball and stem unless the seating surfaces have been damaged by abrasion or corrosion. Flo-Tite strongly recommends that all seats, seals, and packing be replaced whenever a valve is disassembled for reconditioning. This is the surest protection against subsequent leakage after reassembly. Replacement parts are sold in kit form. Kits can be obtained via the local Flo-Tite Distributor. Replacement parts should be purchased prior to valve disassembly. Required information to purchase replacement parts include: a. Line size b. Model designation c. Seat/seal materials

Reinstallation: Carefully inspect the faces of both the valve and the mating threads to ensure they are clean and undamaged. Place the valve in the preferred position and support it from moving.

Flo-Tite's marking system follows MSS SP-25-1998

Valve Markings- Casted into valve bodies include the following; Flo-Tite Name, Model Numbers, Body Material, Valve Size.

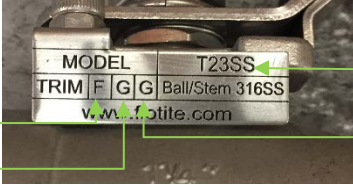
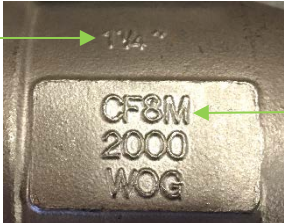
Standard Trim Soft Parts

ID-Codes

Seat Material

Stem Seal Material

Body Size

Valve Side A

Model Number

Body Seal Material

Valve Side B

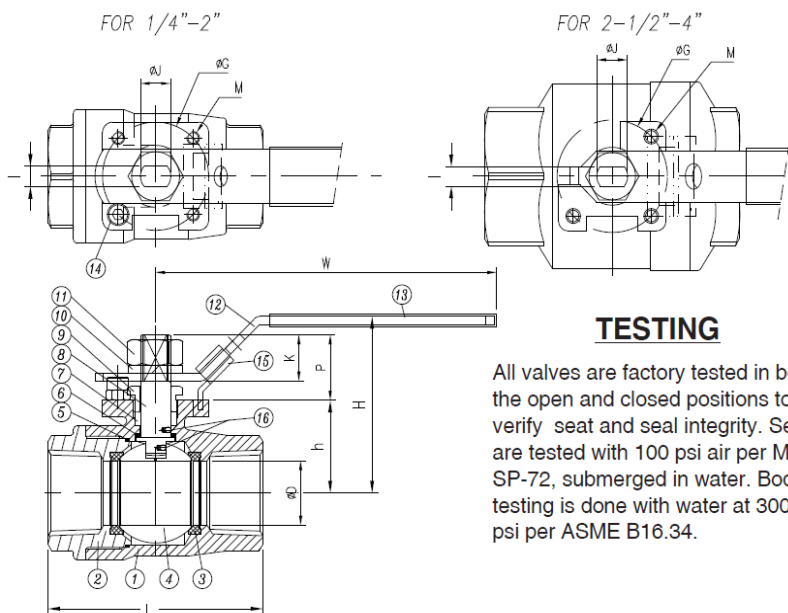
Body Material

DESIGN & TECHNICAL DATA

Tech Bulletin Page 14 - 17 Page 2

Fusion Series T23 - 2PC Body

Materials of Construction



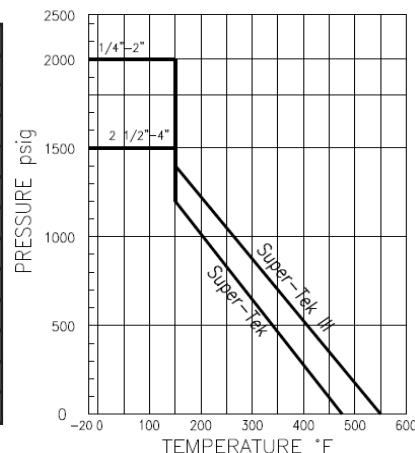
TESTING

All valves are factory tested in both the open and closed positions to verify seat and seal integrity. Seats are tested with 100 psi air per MSS-SP-72, submerged in water. Body testing is done with water at 3000 psi per ASME B16.34.

No.	Parts	T23-SS	T23-CS
1	Body	ASTMA351 CF8M	ASTMA216 WCB
2	End Cap	ASTMA351 CF8M	ASTMA216 WCB
3	Seat	# Super-Tek	Super-Tek
4	Ball	ASTMA351 CF8M	ASTMA351 CF8
5	Gasket	# Graphite	Graphite
6	Thrust Washer	# TFM	TFM
7	Stem Packing	# TFM / GRAPHITE *	TFM / GRAPHITE *
8	Stem	A276-316 / 17-4PH	A276-304 / 17-4PH
9	Gland	SS304	SS304
10	Handle Washer	SS304	SS304
11	Handle Nut	SS304	SS304
12	Handle	SS304	Zinc Plated Steel
13	Handle Cover	PVC	PVC
14	Stop Screw	SS304	Steel
15	Locking Device	SS304	Zinc Plated CS
16	Anti-Static Device	SS316	SS304

Parts included in repair kits *Fire Safe uses graphite

Pressure/Temperature Chart



Dimensions and Weights

SIZE	D	G	H	h	I	J	K	L	M	P	W	Cv	Torque in-lb			Weight
													800 psi	1000 psi	2000 psi	lbs
1/4"	0.43	1.42	2.17	0.94	0.20	0.31	0.35	2.32	M5	0.59	5.31	8	60	68	100	0.97
3/8"	0.49	1.42	2.17	0.94	0.20	0.31	0.35	2.32	M5	0.59	5.31	8	60	68	100	0.97
1/2"	0.59	1.42	2.24	1.02	0.20	0.31	0.45	2.52	M5	0.69	5.31	15	60	70	100	0.97
3/4"	0.79	1.42	2.46	1.28	0.24	0.39	0.59	2.87	M5	0.79	5.31	38	80	90	115	1.35
1"	0.98	1.65	2.70	1.42	0.31	0.47	0.65	3.35	M5	0.91	6.50	65	95	102	178	2.25
1 1/4"	1.26	1.65	2.91	1.63	0.31	0.47	0.71	3.94	M5	1.00	6.50	118	190	210	270	3.20
1 1/2"	1.50	1.97	3.56	2.01	0.31	0.55	0.79	4.53	M6	1.06	6.89	195	310	330	430	5.20
2"	1.97	1.97	4.17	2.56	0.39	0.55	0.79	5.28	M6	1.06	9.65	320	385	420	586	8.65
2-1/2"	2.56	2.76	5.06	3.15	0.47	0.79	1.14	6.54	M8	1.56	12.6	485	480	585	674	14.77
3"	3.15	2.76	5.49	3.58	0.47	0.79	1.14	7.44	M8	1.56	12.6	770	800	975	1238	21.60
4"	3.94	4.02	6.50	4.41	0.63	0.98	1.48	9.09	M10	2.07	10.8	1460	1750	1908	2200	44.75

Torque based on clean liquid media



P.O. Box 1293
Lumberton, NC 28359
Website: www.flotite.com

Tel: (910) 738-8904
Fax: (910) 738-9112
E-mail: flotite@flotite.com

This brochure is general in nature and manufacturer reserves the right to alter dimensions, materials or to make design improvements