



TWO PIECE DIRECT-MOUNT AUTOMATION SERIES

Valve Features

Flanged End DMF15 Econoflo Series



- Two-Piece Body, Full Port Design
- ANSI Class 150 Flanged Ends
- Body: CF8M, 316SS
- PTFE, RTFE or TFM Seats
- Size Range: 1/2" to 4"
- Pressure Rating: 275 MAWP/WOG
- Temperature Range: -20° F - 400° F



Design Advantages

- ISO 5211 Direct Mounting Pad - Provides for precise shaft alignment & eliminates the need for brackets and couplings.
- Live-Loaded Stem Assembly extends cycle life.
- Blow out Proof Stem
- Low Torque Design
- Investment Cast 316SS
- MTR Available, Consult Factory
- 100% Air Tested Under Water @ 100 PSI

Model: Flanged End Direct Mount
 #DMF15-SS STANDARD PRODUCT NUMBER
 DMF15-SS-TTT-L

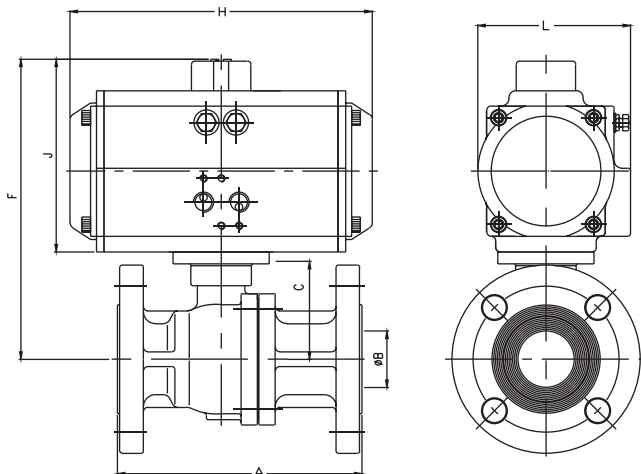
Actuator Sizing Chart

Flo-Tite Actuator Selections are based on units with standard seats with clean fluid only at ambient temperature.

Maximum Temperature Limitations for Direct-Mount Actuators: Electric 150° F; Pneumatic 180°F.

Special Brackets are available for higher temperatures, consult factory.

All valves are sized for line pressure up to maximum 275 WOG. For higher line pressure applications, consult the factory to assure proper actuator sizing.

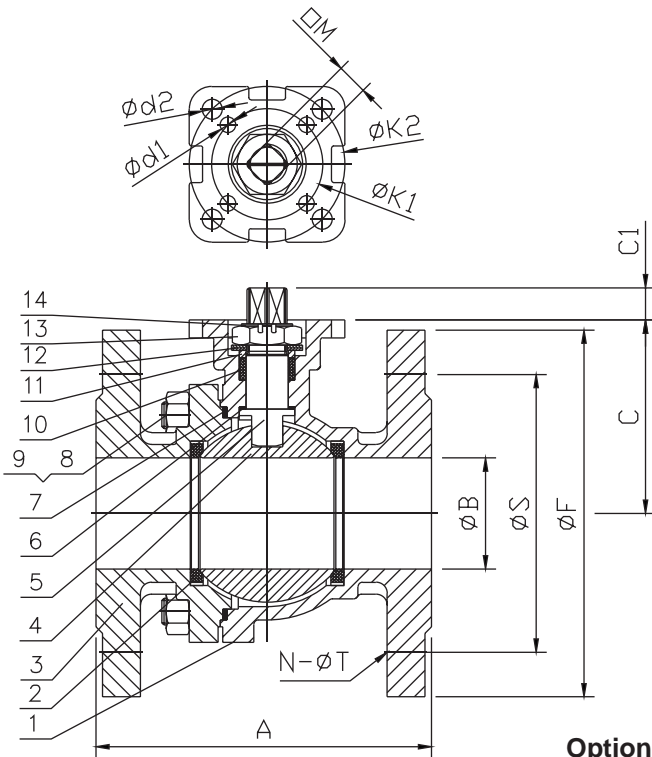


Size	SPRING RETURN 80 PSI								SPRING RETURN 60 PSI					DOUBLE ACTING 80 PSI					DOUBLE ACTING 60 PSI				
	A	B	C	Actuator	F	H	J	L	Actuator	F	H	J	L	Actuator	F	H	J	L	Actuator	F	H	J	L
1/2"	4.25	0.59	2.17	SR52.12	5.79	5.79	3.62	2.81	SR52.9	5.79	5.79	3.62	2.81	DA40	5.32	4.81	3.15	2.57	DA40	5.32	4.81	3.15	2.57
3/4"	4.62	0.79	2.17	SR52.12	5.79	5.79	3.62	2.81	SR52.8	5.79	5.79	3.62	2.81	DA52	5.79	5.79	3.62	2.81	DA52	5.79	5.79	3.62	2.81
1"	5.00	0.98	2.36	SR63.12	6.59	6.61	4.23	3.27	SR63.9	6.59	6.61	4.23	3.27	DA52	5.98	5.79	3.62	2.81	DA63	6.59	6.61	4.23	3.27
1 1/2"	6.50	1.50	2.95	SR83.12	8.02	8.03	5.07	4.05	SR83.8	8.02	8.03	5.07	4.05	DA75	7.65	7.24	4.70	3.74	DA83	8.02	8.03	5.07	4.05
2"	7.00	1.97	3.27	SR92.12	8.34	8.03	5.07	4.05	SR92.9	8.66	10.31	5.39	4.27	DA75	7.97	7.24	4.70	3.74	DA83	8.34	8.03	5.07	4.05

Direct Mount Design
 Ideal for Low Profile, Cost Effective Operations

Design and Technical Data

Model: DMF15-SS



Bill Of Materials

NO	PART NAME	MATERIAL	Qty
1	BODY	ASTM A351 CF8M	1
2	SEATS #	PTFE	2
3	END CAP	ASTM A351 CF8M	1
4	BALL	CF8M - SS316	1
5	STEM	SS316	1
6	THRUST WASHER #	PTFE	1
7	GASKET #	PTFE	1
8	STUDS	SS304	4
9	NUTS	SS304	4
10	PACKING	PTFE	1
11	PACKING FOLLOWER	SS304	1
12	BELLEVILLE WASHERS	SS304	2
13	NUT	SS304	1
14	LOCK WASHER	SS301	1

Parts included in repair kits

Optional:
Lever Handle for Manual Operation
Consult Factory

Dimensions and Weights

SIZE	A	B	C	C1	d1	d2	F	K1	K2	N	S	T	M	Cv	Torque In-Lb	ISO 5211 Pattern	Weight Lb
1/2"	4.25	0.59	2.17	0.31	0.24	0.24	3.50	1.42	1.65	4	2.38	0.62	0.354	17	27	F03-F04	3.6
3/4"	4.62	0.79	2.17	0.31	0.24	0.24	3.88	1.42	1.65	4	2.75	0.62	0.354	43	44	F03-F04	4.9
1"	5.00	0.98	2.36	0.51	0.24	0.28	4.25	1.65	1.97	4	3.12	0.62	0.433	74	97	F04-F05	6.0
1 1/4"	5.50	1.26	2.56	0.51	0.24	0.28	4.62	1.65	1.97	4	3.50	0.62	0.433	192	124	F04-F05	8.4
1 1/2"	6.50	1.50	2.95	0.57	0.28	0.35	5.00	1.97	2.76	4	3.88	0.62	0.551	290	142	F05-F07	12.3
2"	7.00	1.97	3.27	0.57	0.28	0.35	6.00	1.97	2.76	4	4.75	0.75	0.551	410	221	F05-F07	15.0

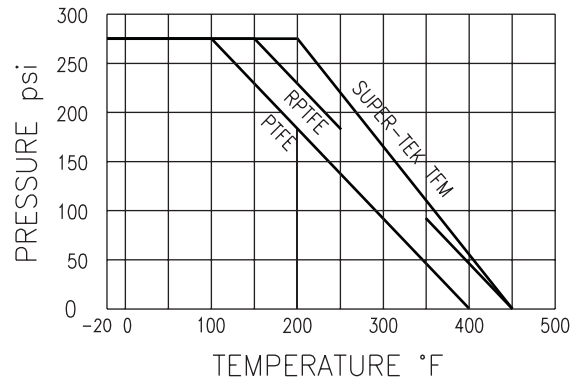
Steam Rating 150 PSI (WSP)
250 PSI available with
SuperTek II Seats.

Super-Tek (TFM) Seating provides
for excellent service at elevated
temperatures while providing low-
operating valve torque. Consult Factory.

- Standards**
- ANSI B16.34**
- ANSI B16.5**
- ANSI B16.10**
- ISO - 5211**
- API 598**
- MSS - SP25**
- PSS - SP72**

ATTENTION
**MAWP/WOG is a do not exceed
pressure at normal ambient
NPT & Weld End Models**

Pressure/Temperature Chart



Flo-Tite, Inc.
4815 West 5th St.
Lumberton, NC 28358

P. O. Box 1293
Lumberton, NC 28359
Website: www.flotite.com

Tel: (910) 738-8904
Fax: (910) 738-9112
E-mail: flotite@flotite.com