



Three Piece SS Economical Type

EconoChem Series

Valve Features

- Three Piece Body, Full Port Design
- Threaded, Socket-Weld or Butt Weld Ends
- Body: CF8M, 316SS
- RTFE Seats or TFM
- Size Range:
1/4" to 4"
- Pressure Rating:
1000 MAWP/WOG
- Temperature Range:
(-20° F - 400° F)

Models:

- #110 - Threaded Ends
- #120 - Socket Weld Ends
- #130 - Butt Weld Ends
- #190 - Groove Ends



Three Piece SS Economical Type

STANDARD PRODUCT NUMBERS

110-SS-1-RTT-L

120-SS-2-RTT-L

130-SS-3-RTT-L (Not a standard C/F for price)

Design Advantages

- ISO 5211 Direct-Mounting Pad - Provides for precise shaft alignment
- Three Piece Swing Out Design for easy maintenance
- Improved Seat Material - Extends cycle life and reduces torque
- Blow-out Proof Stem
- Locking Device standard for valves with handles

Optional:
A216 WCB Socket Weld Ends can be combined with Stainless Steel Bodies.

Simplicity & performance, an ideal choice for applications that require an economical three piece stainless steel ball valve.

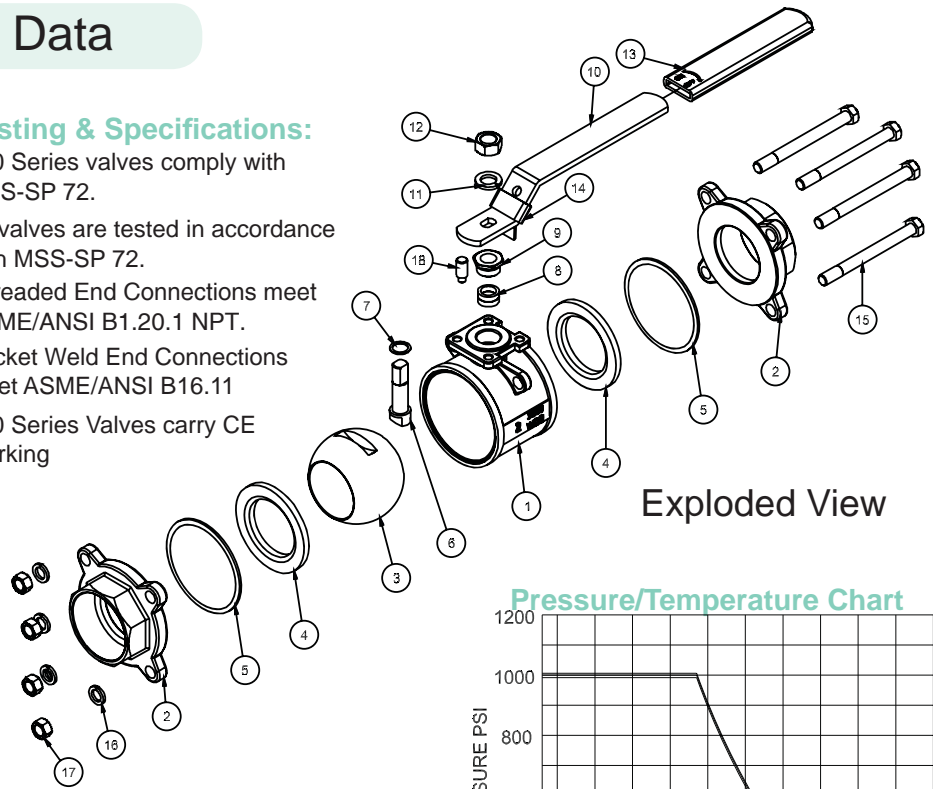
Design and Technical Data

Bill of Materials

Item	Parts	Material	Qty
1	Body	ASTM A351 CF8M	1
2	Caps	ASTM A351 CF8M	2
3	Ball	ASTM A351 CF8M	1
4	Ball Seats #	RPTFE	2
5	Joint Gaskets #	PTFE	2
6	Stem	SS316	1
7	Thrust Washer #	PTFE	1
8	Stem Packing #	PTFE	1
9	Gland Nut	SS316	1
10	Handle	SS316	1
11	Stem Washer	SS316	1
12	Stem Nut	SS316	1
13	Handle Cover	Plastic	1
14	Locking Device	SS316	1
15	Bolts	SS316	4
16	Spring Washers	SS316	4
17	Hex Nuts	SS316	4
18	Stop Pin	SS316	1

Testing & Specifications:

100 Series valves comply with MSS-SP 72.
All valves are tested in accordance with MSS-SP 72.
Threaded End Connections meet ASME/ANSI B1.20.1 NPT.
Socket Weld End Connections meet ASME/ANSI B16.11
100 Series Valves carry CE Marking

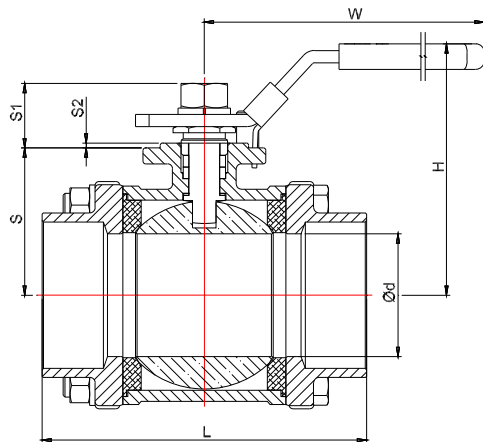
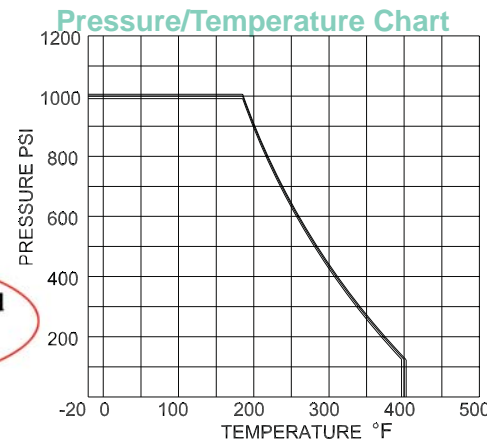


Exploded View

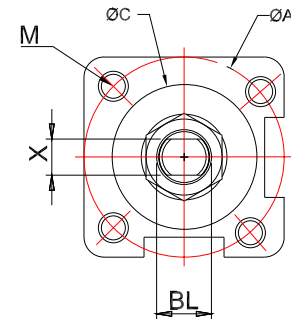
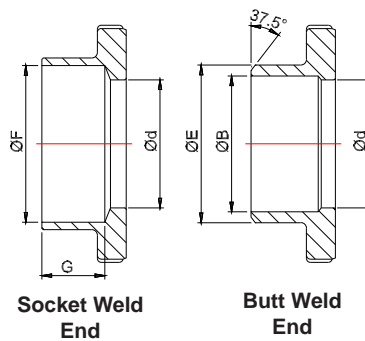
Parts included in repair kits

Steam Rating 150 PSI WSP
250 PSI available with SuperTek III seats.
Vacuum service to 25 torr

ATTENTION
MAWP/WOG is a do not exceed pressure at normal ambient NPT & Weld End Models



Models: 100 Series



Dimensions and Weights

SIZE	A	B	BL	C	d	E	F	G	H	L	M	S	S1	S2	W	X	Cv	Torque in-lb	ISO Pattern	Weight Lbs
1/4"	1.42	0.47	5/16"	-	0.46	0.71	0.56	0.51	2.17	2.29	M5	1.04	0.52	-	4.21	0.197	8	35	F03	0.75
3/8"	1.42	0.55	5/16"	-	0.50	0.71	0.69	0.50	2.17	2.29	M5	1.04	0.52	-	4.21	0.197	10	35	F03	0.84
1/2"	1.42	0.67	5/16"	-	0.59	0.87	0.85	0.52	2.36	2.44	M5	1.20	0.62	-	4.21	0.197	18	47	F03	1.1
3/4"	1.42	0.89	3/8"	-	0.79	1.08	1.07	0.68	2.48	2.99	M5	1.30	0.72	-	4.80	0.256	42	82	F03	1.8
1"	1.65	1.10	7/16"	1.21	0.98	1.32	1.33	0.71	3.11	3.35	M5	1.56	0.85	0.08	6.30	0.315	74	90	F04	2.6
1 1/4"	1.65	1.32	7/16"	1.21	1.26	1.73	1.68	0.80	3.39	3.94	M5	1.71	0.91	0.08	6.30	0.315	130	124	F04	4.4
1 1/2"	1.97	1.69	1/2"	1.42	1.50	1.97	1.92	0.87	3.70	4.53	M6	2.05	0.98	0.08	7.76	0.354	210	185	F05	5.5
2"	1.97	2.09	1/2"	1.42	1.97	2.42	2.41	0.96	4.06	5.20	M6	2.44	0.91	0.08	7.76	0.375	370	300	F05	8.2
2 1/2"	2.76	2.56	3/4"	2.20	2.56	2.99	3.03	1.30	5.24	6.50	M8	3.03	1.62	0.08	10.91	0.472	660	440	F07	16.3
3"	4.02	3.15	3/4"	2.80	3.15	3.62	3.52	1.44	5.67	7.20	M10	3.54	1.56	0.06	10.91	0.472	928	770	F10	28.2
4"	4.02	3.94	1"	-	3.94	4.53	4.55	1.67	6.97	9.11	M10	4.33	1.85	-	12.68	0.630	1710	1400	F10	50.7



Flo-Tite, Inc.
4815 West 5th Street
Lumberton, NC 28358

P. O. Box 1293
Lumberton, NC 28359
Website: www.flotite.com

Tel: (910) 738-8904
Fax: (910) 738-9112
E-mail: flotite@flotite.com

Due to continuous development & improvement of our product range, we reserve the right to alter the dimensions and technical data included in this brochure.