



Kompact IV Actuator Series

Unique Design, Four Piston, Rack & Pinion Actuators



**A Compact Actuator
Designed for
Applications Where
Space & Weight Are of
Major Concern.**



Design Features:

- Bidirectional stroke adjustment
- Internally anodized body for corrosion resistance
- Externally anodized with powder polyester painted
- Spring return covers with extended screws for safe release
- ISO 5211 bottom flange for valve automation
- NAMUR output drive for installation of limit switches and positioners
- Available in Spring Return and Double Acting models
- NAMUR interface for mounting of solenoid valve

Kompact Advantage:

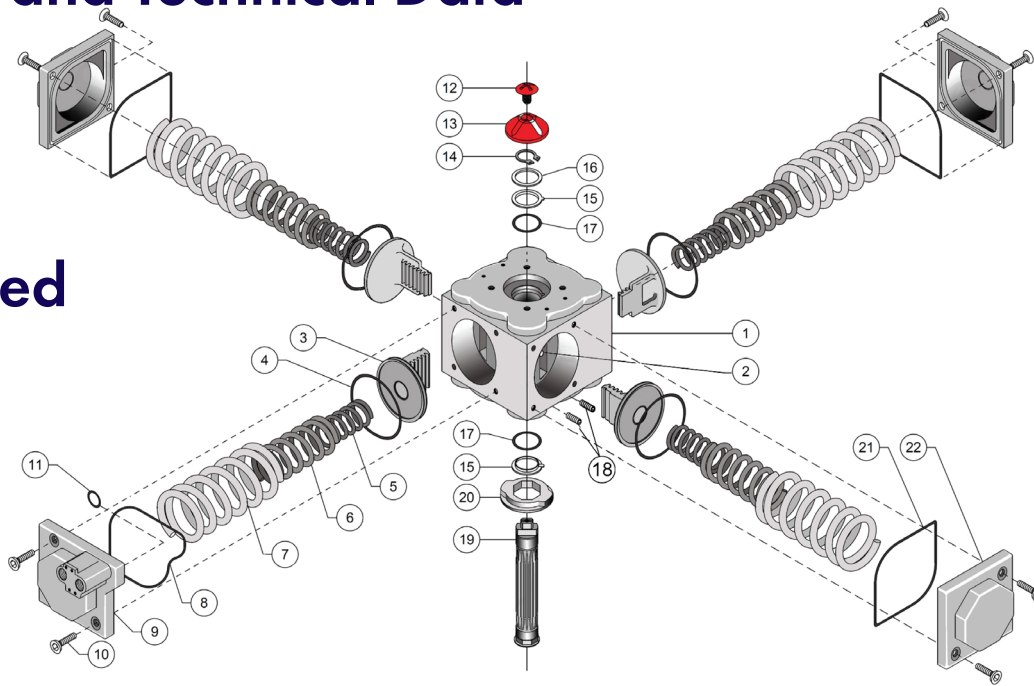
The Kompact quarter-turn rack & pinion actuator is a four piston actuator which generates torque around a centrally located pinion, giving more than double the torque of single or double rack & pinion actuator designs. The increased number of pistons allows their diameter to be reduced while maintaining its high torque, allowing the reduced size of the actuator.

Fast Acting Travel!

www.flotite.com

Design and Technical Data

Exploded View



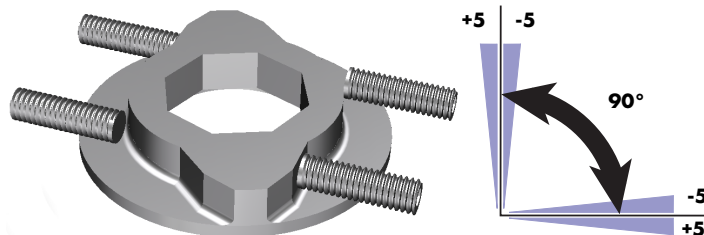
Bill of Material

Item	Description	Specifications
1	Body	AL 356 - T6
2	Pad	DELRIN (Plastic)
3	Piston	AL 356
4	Piston O-Ring	Buna "N" / Viton
5	Inner Spring	Spring Steel
6	Middle Spring	Spring Steel
7	Outer Spring	Spring Steel
8	NAMUR Cover O-Ring	Buna "N" / Viton
9	NAMUR Cover	AL 356
10	Cover Screw	Stainless Steel
11	Air Supply O-Ring	Buna "N" / Viton

Item	Description	Specification
12	Indicator Screw	Stainless Steel
13	Indicator	ABS (Plastic)
14	Snap Ring	Stainless Steel
15	Thrust Washer	DELRIN (Plastic)
16	Bearing	DELRIN (Plastic)
17	Pinion O-Ring	Buna "N" / Viton
18	Stroke Adjustment Screw	Stainless Steel
19	Pinion	Nickel Coated Carbon Steel
20	Stroke Adjustment Stop	Stainless Steel
21	Cover O-Ring	Buna "N" / Viton
22	Spring Return Cover	K15-K35: AL 356 K45-K75: AL 380

Bidirectional Stroke Adjustment

Kompact actuators feature bidirectional pinion travel stops. These stops allow for true $\pm 5^\circ$ for valve travel adjustment to ensure precise positioning in all flow control services. The Kompact travel stops are designed to absorb the maximum rated torque of the actuator and the maximum impact loads associated with the recommended stroke speed.



Air Connection

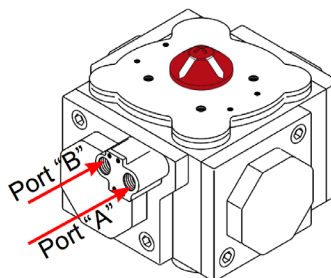
The actuator air connections are $\frac{1}{4}$ " NPT located on a NAMUR manifold and are marked A & B.

Sizes K15 to K45 - air connections are horizontal:

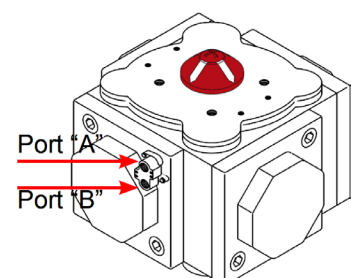
Port A is to the right and Port B to the left.

Sizes K60 to K75 - air connections are vertical:

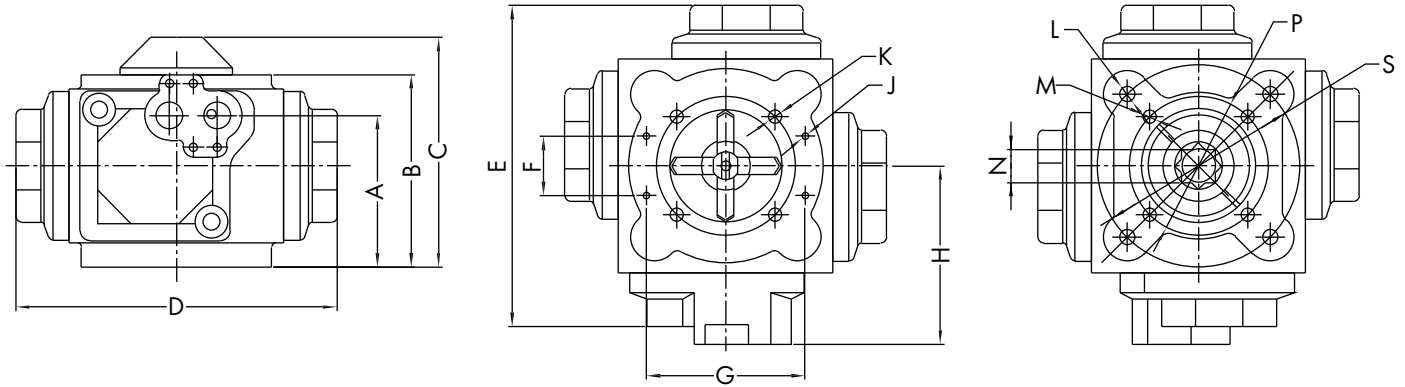
Port A is above Port B.



K15 to K45



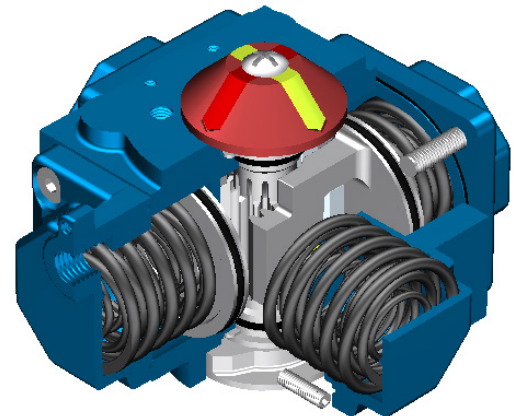
K60 to K75



Model	A	B	C	D	E	F	G	H	J	K	L	M	N	P	ISO	S	ISO	Weight, lbs
K15	2.05	2.76	3.54	4.45	4.45	1.18	3.15	2.62	M5	1/4-20	5/16-18	1/4-20	0.35	1.97	F05	2.76	F07	2
K20	2.45	3.17	3.96	5.16	5.16	1.18	3.15	3.04	M5	1/4-20	5/16-18	1/4-20	0.43	1.97	F05	2.76	F07	4
K25	3.01	3.83	4.61	6.38	6.38	1.18	3.15	3.54	M5	5/16-18	3/8-16	5/16-18	0.55	2.76	F07	4.02	F10	8
K30	3.69	4.59	5.38	7.36	7.36	1.18	3.15	4.13	M5	5/16-18	3/8-16	5/16-18	0.67	2.76	F07	4.02	F10	11
K35	4.09	5.34	6.13	8.78	8.78	1.18	3.15	4.76	M5	3/8-16	3/8-16		0.87			4.02	F10	20
K45	5.04	6.46	7.24	10.75	10.75	1.18	3.15	5.67	M5	1/2-13	1/2-13		1.06			4.92	F12	33
K60	6.57	8.54	9.72	14.29	14.29	1.18	5.12	7.15	M5	5/8-11	5/8-11		1.42			5.51	F14	77
K75	8.24	10.51	11.69	17.09	17.09	1.18	5.12	8.54	M5	5/8-11	5/8-11		1.42			6.50	F16	141

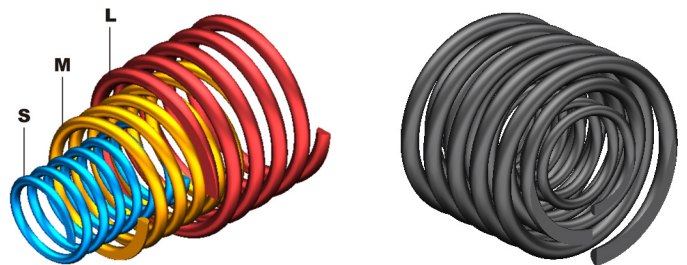
Modular Design Housing

Both spring return and double acting models use the same housing. Either unit can be easily converted by adding or removing springs. Our spring cartridges provide for complete safety of handling.



Spring Combinations

Spring arrangements for each end of actuator to assure balanced loading.



S4	M4	S2M4	S4M4	S4M2L2	S4L4	S4M4L2	M4L4	S2M4L4	S4M4L4

