

Vent Caps

Venting

The Star-Kap® is the only vent cap that is not required to be two feet higher than any structure within ten feet when used on detached or lean-to buildings that house heating equipment outside of the living space.

The unique design of the aluminized Star-Kap Vent Cap prevents downdrafts and assists the vent in drawing off and exhausting waste gases regardless of wind direction. The Star-Kap can be used to vent gas or oil-fired boilers, furnaces, water heaters and more.

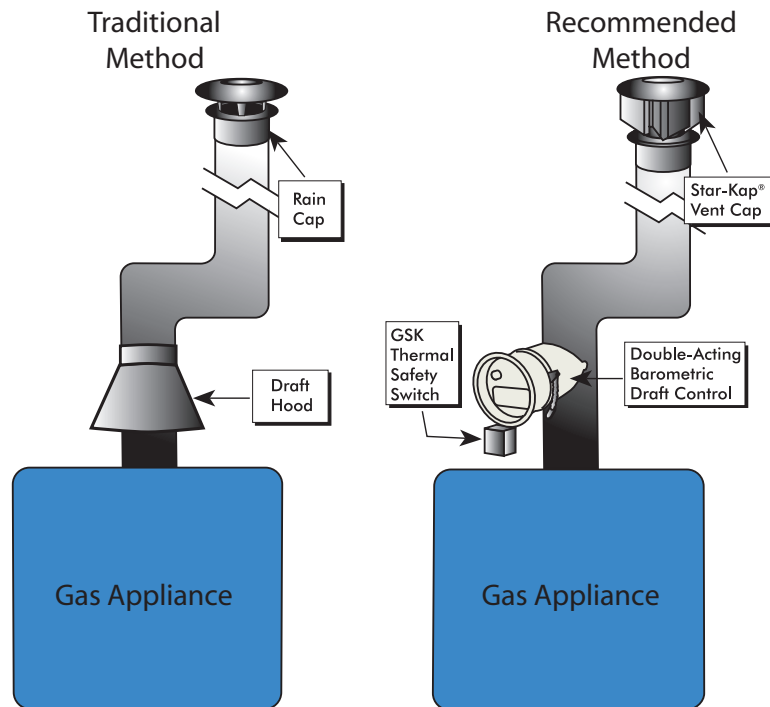
Although vent stacks are designed to remove dangerous gases and smoke created by burning gas and oil, this process can be adversely affected by the direction of the wind. A sudden gust could blow noxious waste gases down the vent stack and into the building. The Star-Kap prevents a potentially dangerous situation.



Star-Kap®

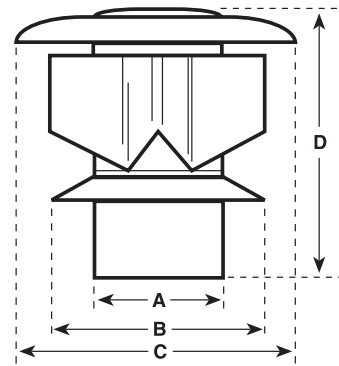
Prevent Flue Gas Spillage

The Star-Kap, when used in conjunction with a double-acting Draft Control and Thermal Safety Switch, creates a system that prevents flue gas spillage. Ask about AGA testing reports for more information.



When to use a Star-Kap

- To prevent downdrafts.
- To keep birds and debris out of the vent stack.
- To keep rain out of the vent stack.
- When venting gas or oil appliances.



Model	Fits Pipe	Dimensions (inches)			
		A	B	C	D
SK-3	3	2 7/8	6 1/2	8 1/4	8 3/8
SK-4	4	3 7/8	6 1/2	8 1/4	8 3/8
SK-5	5	4 7/8	6 1/2	8 1/4	8 3/8
SK-6	6	5 7/8	10	12 3/8	11
SK-8	8	7 7/8	10	12 3/8	11
SK-10	10	9 7/8	16	21 7/8	13 5/8
SK-12	12	11 7/8	16	21 7/8	13 5/8
SK-14	14	13 7/8	16	21 7/8	13 5/8