

PRODUCT INFORMATION PACKET

FASCO®

Model No: UB598
Catalog No: UB598
9 WATT Refrigeration Motor, 1550 RPM, 115 Volts, Unit Bearing, TEAO
Unit Bearing Motors



Regal and Fasco are trademarks of Regal Beloit Corporation or one of its affiliated companies.
©2020 Regal Beloit Corporation, All Rights Reserved. MC017097E

REGAL




Nameplate Specifications

Output Watts	9 W	Frequency	60 Hz
Voltage	115 V	Current	0.53 A
Speed	1550 rpm	Service Factor	1
Phase	1	Duty	Continuous
Insulation Class	B	Frame	UNIT BEARING
Enclosure	Totally Enclosed Air Over	Thermal Protection	Thermally Protected
Ambient Temperature	40 °C	UL	Recognized
CSA	Y	CE	N

Technical Specifications

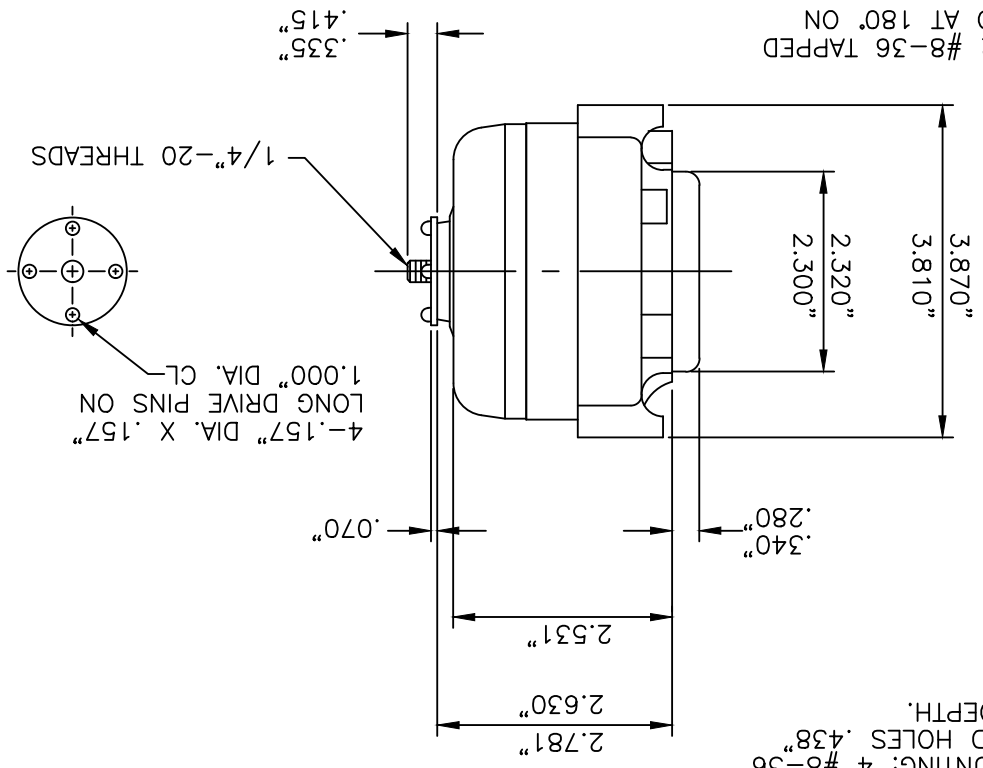
Electrical Type	Shaded Pole	Starting Method	Across The Line
Poles	4	Rotation	Counterclockwise Opposite Shaft End
Mounting	2 BOSS/OSE 3 HOLES	Drive End Bearing	Unit
Opp Drive End Bearing	Unit	Frame Material	Cast Iron
Shaft Type	Threaded	Frame Length	3.12 in
Shaft Diameter	1/4x20 in	Shaft Extension	.415 in
Outline Drawing	UB598-S01		

This is an uncontrolled document once printed or downloaded and is subject to change without notice. Date Created:06/11/2020

TITLE		MOTOR OUTLINE (3/4" C.I. BOSSED, UNIT ROTOR)		NO. S-21116	
AP'VD	④				
DR'N	RS CKD	③			
DATE	08-23-88	②			
SCALE	1/2"=1"	①	REVISIONS ON AUTOCAD		BY RWM DATE 09-14-93
					

C:\ACAD\VOL_9\21116

NOTE: MOUNTING SCREW TORQUE 3.5 FT.LB.MAX.



NOTE: OUTLINE DIMENSIONS ON WHICH NO LIMIT IS SPECIFIED ARE NOMINAL AND NOT GUARANTEED AS TO TOLERANCE. ADDITIONAL INFORMATION ON TOLERANCES WILL BE FURNISHED ON SPECIFIC REQUEST.

