

PRODUCT INFORMATION PACKET

FASCO®

Model No: D294A

Catalog No: D294A

Fan Coil & Air Conditioner Motor, 1/10,1/20,1/25,1/35,1/50 HP, 1 Ph, 60 Hz, 115 V, 1050 RPM,
5 Speed, 42 Frame, OAO



Regal and Fasco are trademarks of Regal Rexnord Corporation or one of its affiliated companies.
©2024 Regal Rexnord Corporation, All Rights Reserved. MC017097E

RegalRexnord



Nameplate Specifications

Phase	1	Output HP	1/10,1/20,1/25,1/35,1/50 Hp
Voltage	115 V	Speed	1050 rpm
Service Factor	1.0	Frame	42
Enclosure	Open Air Over	Thermal Protection	Automatic
Ambient Temperature	40 °C	Frequency	60 Hz
Current	1.3,1.0,0.7,0.5,0.5 A	Duty	Continuous
Insulation Class	B	UL	Recognized
CSA	Y	CE	N
Number of Speeds	5		

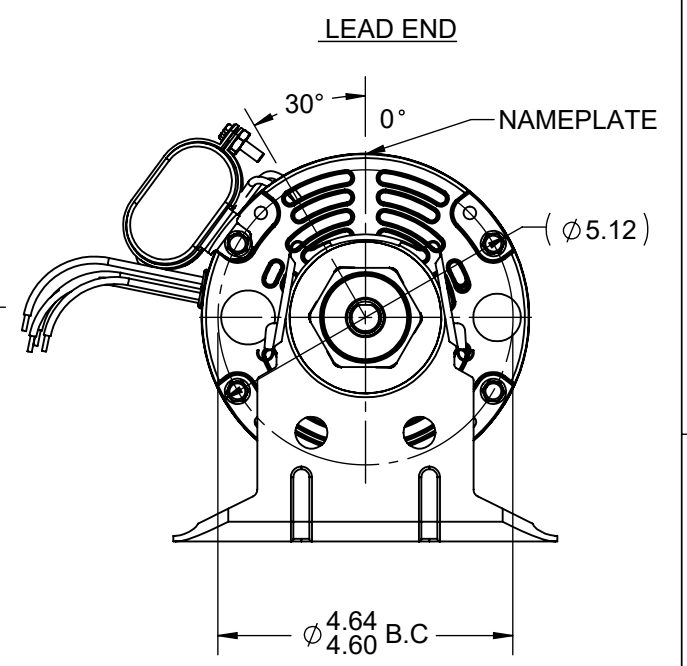
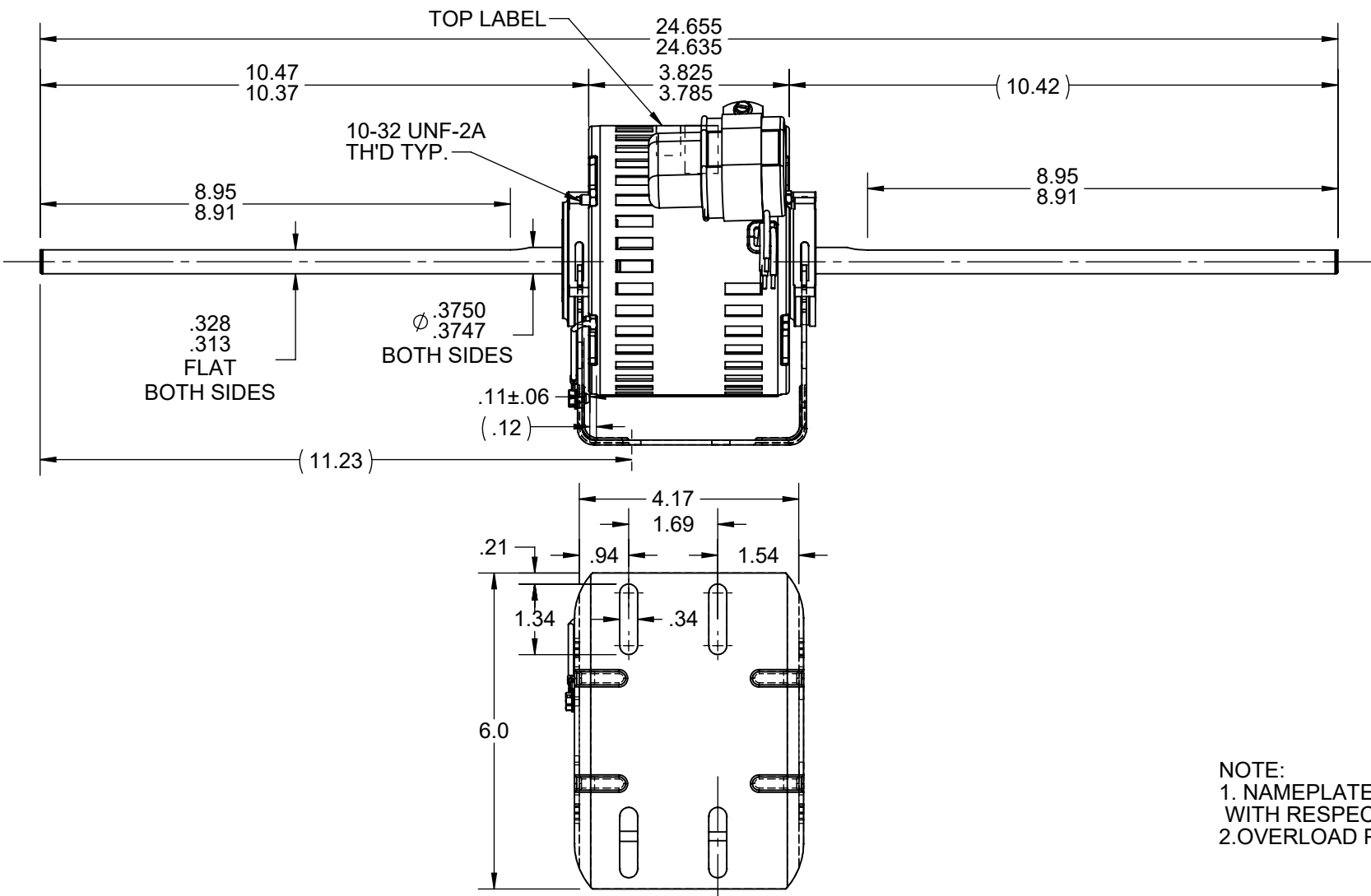
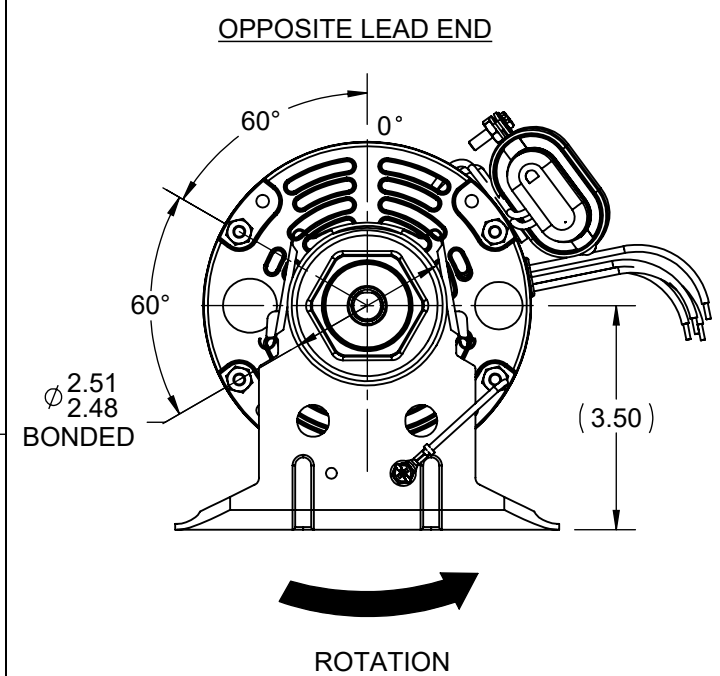
Technical Specifications

Electrical Type	Permanent Split Capacitor	Starting Method	Across The Line
Poles	6	Rotation	Clockwise Lead End
Mounting	Resilient Base	Drive End Bearing	Ball
Opp Drive End Bearing	Ball	Frame Material	Rolled Steel
Shaft Type	Flat	Frame Length	3.83 in
Shaft Diameter	0.375 in	Shaft Extension	10.42X.375X10.42 in
Outline Drawing	71870458R		

This is an uncontrolled document once printed or downloaded and is subject to change without notice. Date Created:07/03/2024

S.NO	CONNECTION	COLOR	EXIT TYPE	EXIT LOC (VIEWING LE)	GAGE	MATERIAL	WALL THK.	LENGTH (+/-1.50)	TERMINATION
1	COMMON LEAD	WHITE	LEAD BUSH	9:20	18	THERMOPLASTIC	2/64	53.50	0.5 BWS
2	CAPACITOR LEAD	BROWN	SHELL NOTCH	11:00	18	THERMOPLASTIC	2/64	0.00	0.25 FQC
3	CAPACITOR LEAD	BRN/WHT	SHELL NOTCH	11:00	18	THERMOPLASTIC	2/64	0.00	0.25 FQC
4	HIGH SPEED LEAD	BLACK	LEAD BUSH	9:20	18	THERMOPLASTIC	2/64	53.50	0.5 BWS
5	MED HI SPEED LEAD	YELLOW	LEAD BUSH	9:20	18	THERMOPLASTIC	2/64	53.50	0.5 BWS
6	MED SPEED LEAD	BLUE	LEAD BUSH	9:20	18	THERMOPLASTIC	2/64	53.50	0.5 BWS
7	MED LO SPEED LEAD	ORANGE	LEAD BUSH	9:20	18	THERMOPLASTIC	2/64	53.50	0.5 BWS
8	LOW SPEED LEAD	RED	LEAD BUSH	9:20	18	THERMOPLASTIC	2/64	53.50	0.5 BWS
9	GROUND LEAD	GRN/YEL	CLAMP SCREW	7:30	18	THERMOPLASTIC	2/64	4.00	#10 SERR.EYELET

VENTILATION SYSTEM	
SHELL VENTS	OPEN
ENDSHIELD(OPP.LEAD END)	OPEN
ENDSHIELD(LEAD END)	OPEN



NAMEPLATE DATA	
MODEL	71870458R
CUST P/N	D294A
HP	1/10-1/20-1/25-1/35-1/50
RPM	1050 (5SPD)
VOLTS	115
HZ	60
SPEED	5
AMPS	1.30 1.00 0.70 0.60 0.50
CAP REQ'D_1	6/370
CAP REQ'D_2	N/R
CONN. DWG	NP24X350533
ROTATION	CWLE

NOTE:
 1. NAMEPLATE LABEL LOCATION: 360° - CENTER - READ FROM LE WITH RESPECT TO MOTOR ZERO.
 2. OVERLOAD PROTECTOR : AUTOMATIC RESET (7AM036)

DRAWING REVISION AC	REVISION BY Muralidar	REV DATE/© DATE 03/05/2024
REQUEST NUMBER ECR-0233030	APPROVED BY TRSK	DATE 03/05/2024
REQUEST NUMBER DESCRIPTION INITIAL DRAWING PER SR23-0717		
<small>COPYRIGHT (PER REVISION DATE) REGAL BELOIT AMERICA, INC. ALL RIGHTS RESERVED. PROPRIETARY AND CONFIDENTIAL INFORMATION - THIS DOCUMENT IS THE PROPERTY OF REGAL BELOIT AMERICA, INC. ("OWNER") AND CONTAINS OWNER'S PROPRIETARY INFORMATION. ANY PERSON, CORPORATION OR OTHER FIRM RECEIVING IT IS DEEMED, BY RECEIVING IT, TO AGREE THAT IT, AND/OR ANY PART OF IT, SHALL NOT BE DISCLOSED TO ANY PERSON, CORPORATION OR OTHER ENTITY, DUPLICATED, AND/OR USED, EXCEPT AS EXPRESSLY APPROVED IN WRITING IN ADVANCE BY OWNER. THIS DOCUMENT SHALL BE RETURNED TO OWNER UPON REQUEST. IT MAY BE SUBJECT TO CERTAIN RESTRICTIONS UNDER APPLICABLE EXPORT CONTROL LAWS AND REGULATIONS.</small>		

PRIMARY DIMENSIONS ARE INCH
 mm DIMENSIONS IN [BRACKETS]
 ARE FOR REFERENCE ONLY

DRAWN BY BHANU	Regal Beloit America, Inc.
DATE 05/11/2023	
APPROVED BY NV	DESCRIPTION OUTLINE
DATE 05/11/2023	CUSTOMER NAME: FASCO DISTRIBUTION CO.
REFERENCE 71860020	MATERIAL
THIRD ANGLE PROJECTION	PROCESS/FINISH
SIZE B	DRAWING NUMBER 71870458R
	SHEET 1 OF 1