

PRODUCT INFORMATION PACKET

FASCO®

Model No: D151A

Catalog No: D151A

Fan and Blower Motor, 1/4,1/5,1/6 HP, 1 Ph, 60 Hz, 230 V, 1050 RPM, 3 Speed, 42 Frame, OAO



Regal and Fasco are trademarks of Regal Rexnord Corporation or one of its affiliated companies.

©2024 Regal Rexnord Corporation, All Rights Reserved. MC017097E

RegalRexnord



Nameplate Specifications

Phase	1	Output HP	1/4,1/5,1/6 Hp
Voltage	230 V	Speed	1050 rpm
Service Factor	1.0	Frame	42
Enclosure	Open Air Over	Thermal Protection	Automatic
Ambient Temperature	40 °C	Frequency	60 Hz
Current	1.7,1.2,0.95 A	Duty	Continuous
Insulation Class	B	UL	Recognized
CSA	Y	CE	N
Number of Speeds	3		

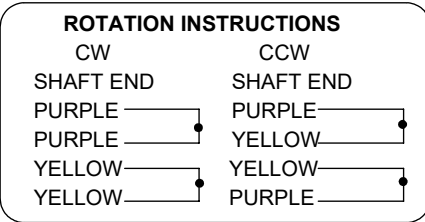
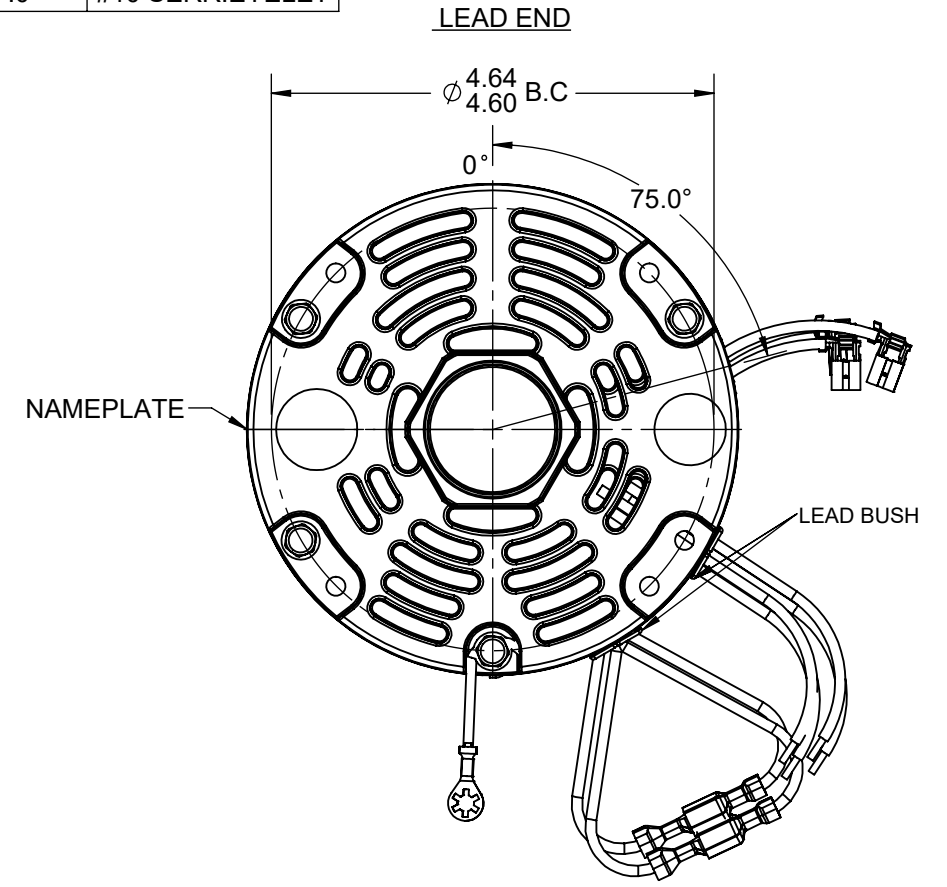
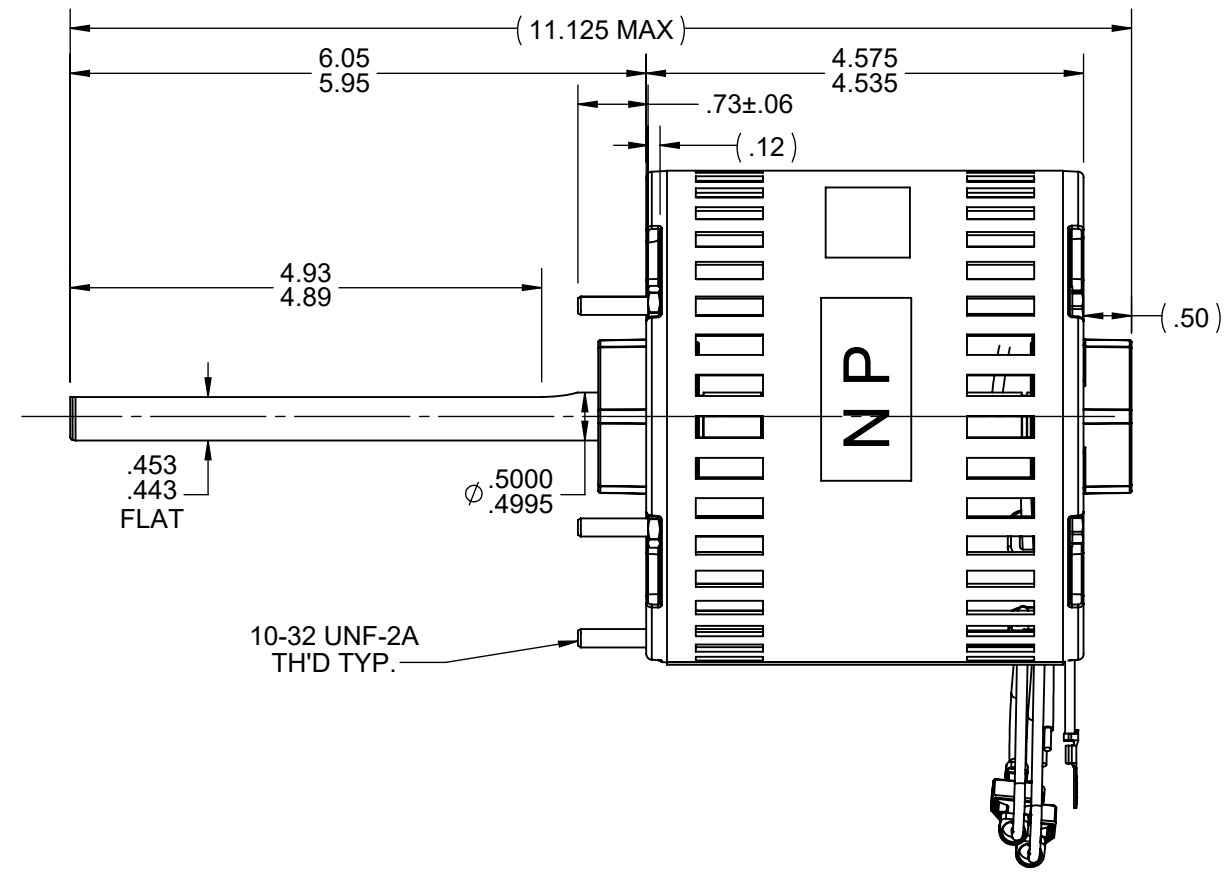
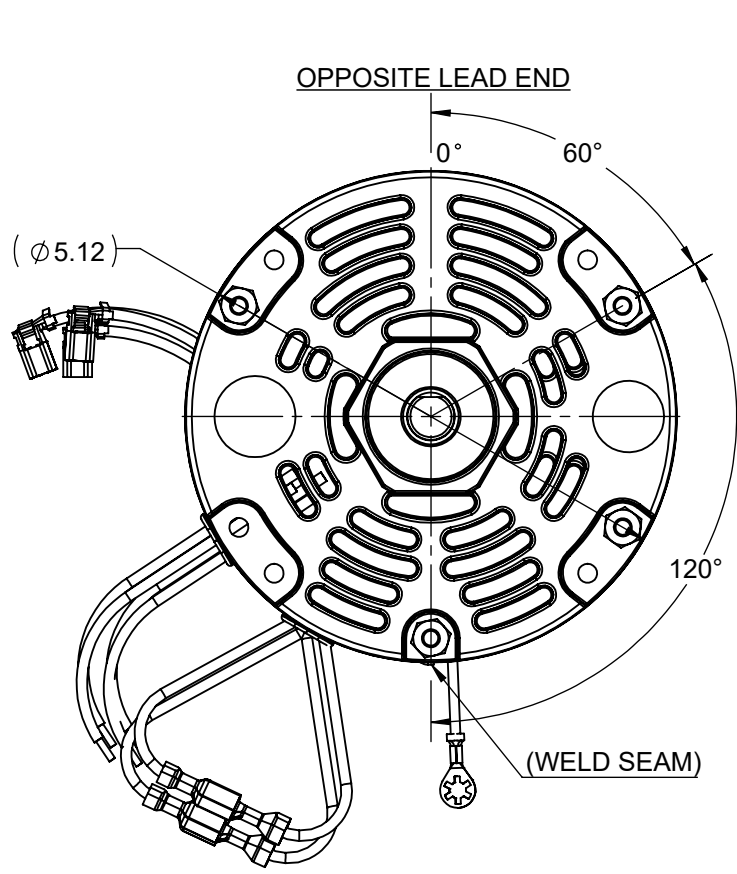
Technical Specifications

Electrical Type	Permanent Split Capacitor	Starting Method	Across The Line
Poles	6	Rotation	Reversible
Mounting	Extended Studs	Drive End Bearing	Ball
Opp Drive End Bearing	Ball	Frame Material	Rolled Steel
Shaft Type	Flat	Frame Length	4.58 in
Shaft Diameter	0.500 in	Shaft Extension	6 in
Outline Drawing	71870446R		

This is an uncontrolled document once printed or downloaded and is subject to change without notice. Date Created:07/03/2024

S.NO	CONNECTION	COLOR	EXIT TYPE	EXIT LOC (VIEWING LE)	GAGE	MATERIAL	WALL THK.	LENGTH (+/-1.50)	TERMINATION
1	COMMON LEAD	WHITE	LEAD BUSH	4:00	18	THERMOPLASTIC	2/64	31.0	0.5 BWS
2	CAPACITOR LEAD	BROWN	SHELL NOTCH	2:30	18	THERMOPLASTIC	2/64	15.0	0.25 FQC
3	CAPACITOR LEAD	BRN/WHT	SHELL NOTCH	2:30	18	THERMOPLASTIC	2/64	15.0	0.25 FQC
4	HIGH SPEED LEAD	BLACK	LEAD BUSH	4:00	18	THERMOPLASTIC	2/64	31.0	0.5 BWS
5	MED SPEED LEAD	BLUE	LEAD BUSH	4:00	18	THERMOPLASTIC	2/64	31.0	0.5 BWS
6	LOW SPEED LEAD	RED	LEAD BUSH	4:00	18	THERMOPLASTIC	2/64	31.0	0.5 BWS
7	REVERSIBLE LEAD	YELLOW	LEAD BUSH	5:00	18	THERMOPLASTIC	2/64	7.0	0.25 MALE SQC
8	REVERSIBLE LEAD	YELLOW	LEAD BUSH	5:00	18	THERMOPLASTIC	2/64	7.0	0.25 FEMALE SQC
9	REVERSIBLE LEAD	PURPLE	LEAD BUSH	5:00	18	THERMOPLASTIC	2/64	7.0	0.25 MALE SQC
10	REVERSIBLE LEAD	PURPLE	LEAD BUSH	5:00	18	THERMOPLASTIC	2/64	7.0	0.25 FEMALE SQC
11	GROUND LEAD	GRN/YEL	CLAMP SCREW	6:00	18	THERMOPLASTIC	2/64	7.0	#10 SERR.EYELET

VENTILATION SYSTEM	
SHELL VENTS	OPEN
ENDSHIELD(OPP.LEAD END)	OPEN
ENDSHIELD(LEAD END)	OPEN



- NOTE:
1. NAMEPLATE LABEL LOCATION: 270° - CENTER - READ FROM LE WITH RESPECT TO MOTOR ZERO.
 2. OVERLOAD PROTECTOR : AUTOMATIC RESET (7AM 036)

NAME PLATE DATA	
MODEL	71870446
CUST P/N	D151A
HP	1/4-1/5-1/6
RPM	1050 (3 SPEED)
VOLTS	230
HZ	60
SPEEDS	3
AMPS	1.70 1.20 0.95
CAP REQ D-1	5.0/440
CAP REQ D-1	N/R
CONN. DRW	NP24X350200
ROTATION	REVERSIBLE

DRAWING REVISION AE	REVISION BY KN	REV DATE/© DATE 05/08/2024
REQUEST NUMBER ECR-0233788	APPROVED BY MURALIDHAR	DATE 05/08/2024
REQUEST NUMBER DESCRIPTION REMOVE SUFFIX R FROM NP DATA AS PER ECR		
<small>COPYRIGHT (PER REVISION DATE) REGAL BELOIT AMERICA, INC. ALL RIGHTS RESERVED. PROPRIETARY AND CONFIDENTIAL INFORMATION - THIS DOCUMENT IS THE PROPERTY OF REGAL BELOIT AMERICA, INC. ("OWNER") AND CONTAINS OWNER'S PROPRIETARY INFORMATION. ANY PERSON, CORPORATION OR OTHER FIRM RECEIVING IT IS DEEMED, BY RECEIVING IT, TO AGREE THAT IT, AND/OR ANY PART OF IT, SHALL NOT BE DISCLOSED TO ANY PERSON, CORPORATION OR OTHER ENTITY, DUPLICATED, AND/OR USED, EXCEPT AS EXPRESSLY APPROVED IN WRITING IN ADVANCE BY OWNER. THIS DOCUMENT SHALL BE RETURNED TO OWNER UPON REQUEST. IT MAY BE SUBJECT TO CERTAIN RESTRICTIONS UNDER APPLICABLE EXPORT CONTROL LAWS AND REGULATIONS.</small>		

PRIMARY DIMENSIONS ARE INCH
mm DIMENSIONS IN [BRACKETS]
ARE FOR REFERENCE ONLY

DRAWN BY BHANU	 Regal Beloit America, Inc.		
DATE 05/31/2023			
APPROVED BY NV	DESCRIPTION		
DATE 05/31/2023	CUSTOMER NAME: FASCO DISTRIBUTION CO.		
REFERENCE 71860402	MATERIAL	PROCESS/FINISH	
THIRD ANGLE PROJECTION	SIZE B	DRAWING NUMBER 71870446R	SHEET 1 OF 1