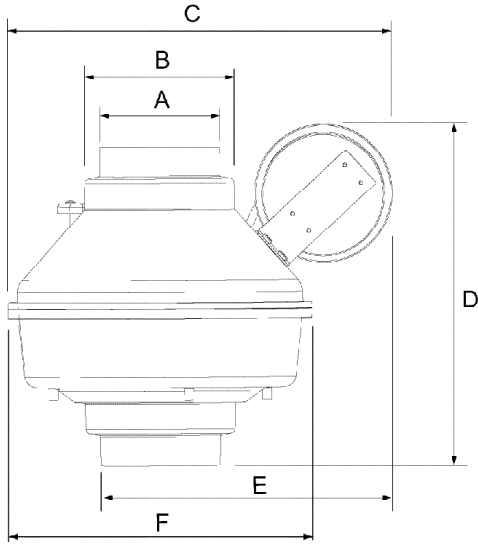


# DBF 110

## Duct Booster Fan



### STANDARD FEATURES

- ABS-PC blended thermoplastic housing
- Vibration welded seam ensures leak proof housing
- Permanently lubricated sealed ball bearings
- Self-cleaning backward curved impeller
- Automatic reset thermal overload protection
- Five-year factory warranty



	A	B	C	D	E	F
DBF 110	3 31/32	4 31/32	12 3/4	11 1/4	9 3/4	10

Dimensions are in inches.

Fan Specifications							Motor Specifications				
Line	Qty	Model No.	Tag	CFM	SP	Fan RPM	Watts	Volts	Phase	Hertz	Encl
1											
2											
3											
4											

Accessory Items	1	2	3	4	Accessory Items	1	2	3	4

Project: \_\_\_\_\_ Submitted: \_\_\_\_\_  
 Customer: \_\_\_\_\_ Approved: \_\_\_\_\_  
 Location: \_\_\_\_\_