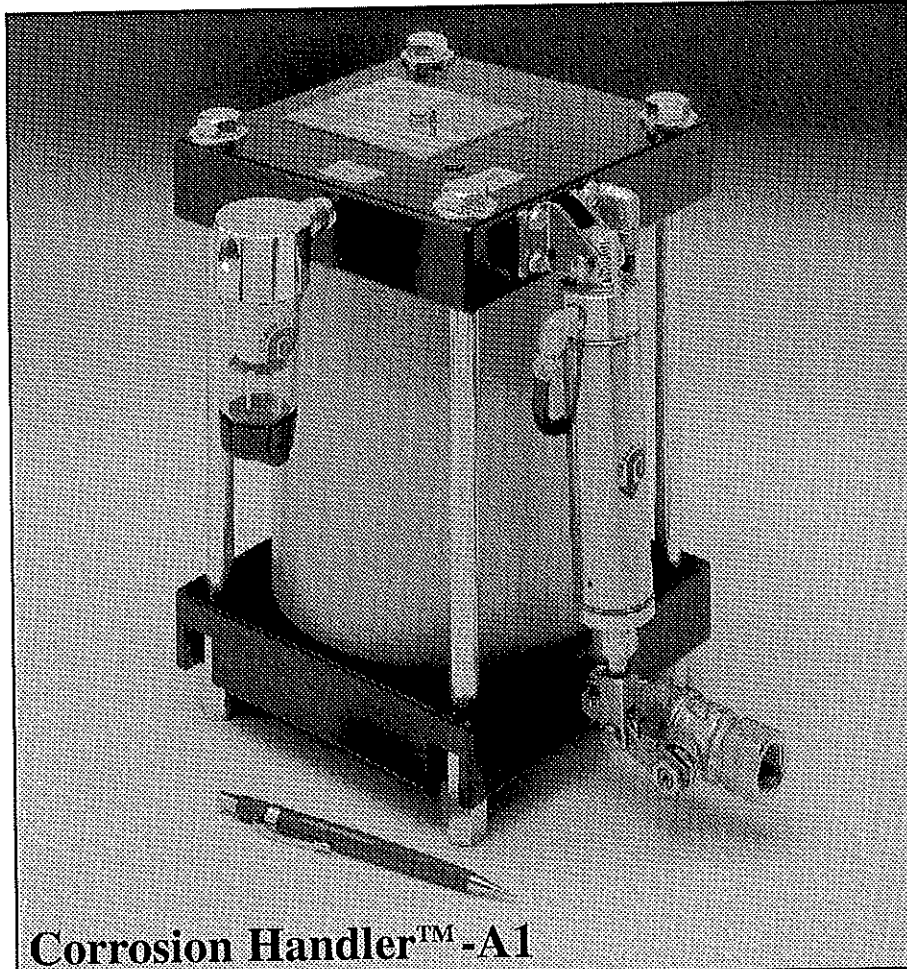


CORROSIONTM handler

CONTROL
SPECIALTIES, INC.



Corrosion HandlerTM - A1

2503 Monroe Drive
Gainesville, GA 30507
(800) 752-0556

Local: (770) 532-7736
Fax: (770) 535-0536
Cell Phone: (706) 318-4872
Home Phone: (706) 865-6176
Email: junicemoody@bellsouth.net

INTRODUCTION

Drain-All, Inc., is an engineering, manufacturing and marketing company, with an ISO 9002 certified quality system. Drain-All, Inc. provides unique, high quality, reliable product solutions for draining and moving liquids such as: (1) condensate removal from compressed air systems, (2) oils and lubricants from manufacturing or test equipment, and (3) liquids from atmospheric and vacuum systems.

In 1982 Drain-All, Inc. developed a world class automatic liquid drain valve and was granted several patents on that design. Not only are these patents still current today, they are being expanded and new ones are being added to provide an ever broadening range of application solutions.

Drain-All products are industrially robust, require little maintenance and since they do not require any electrical connections, can be easily installed on equipment at any point in a system. These patented devices are backed by an excellent warranty and a strong technical support staff who are available to assist customers in developing engineered solutions for all of their liquid drainage problems. The Drain-All, Inc. product line includes a wide array of products, options and accessories which enable customers to customize their particular liquid drainage systems. A world-wide network of full service Drain-All distributors has been established who are dedicated to providing outstanding local sales and service support.

SPECIFICATIONS

	Corrosion Handler TM - A1
	# 870105
Max Liquid Temp - °F (°C)	170 (76.7)
Max Liquid Pressure - PSIG (BARG)	170 (11.7)
Control Air Min - PSIG (BARG)	80 (5.5)
Control Air Max - PSIG (BARG)	130 (9.0)
Ht - " (cm)	11 (27.9)
Width - " (cm)	9-1/4 (23.5)
Depth (Inlet/BV) - " (cm)	10-1/2 (26.7)
Inlet/Outlet - " NPT	1/2
Control Air - " NPT	1/4
Balance Line - " NPT	1/8
Capacity	Varies with pressure/piping
Weight - LBS (KG)	21 (9.5)

Drain-All Quality System is ISO 9002 Certified

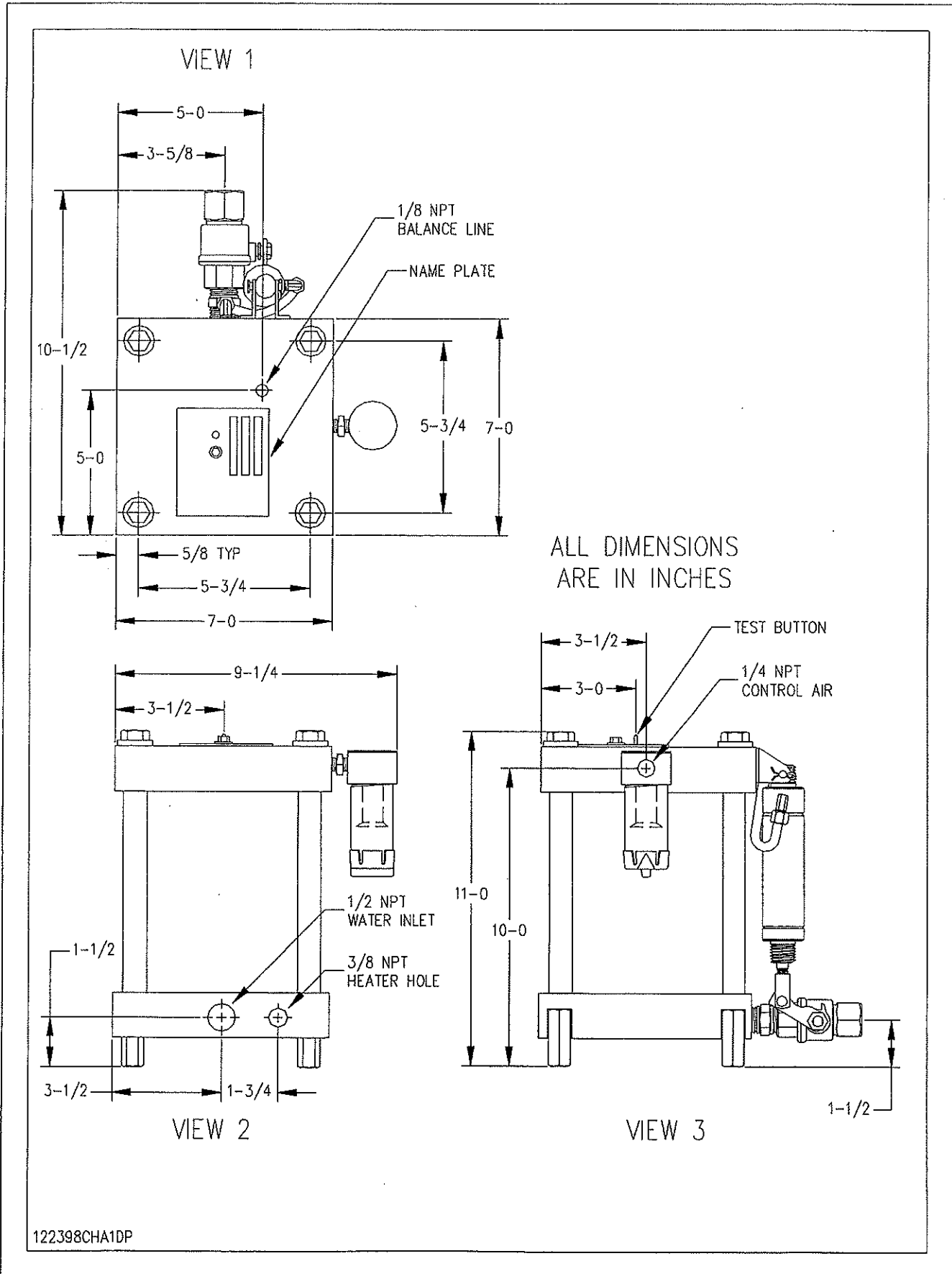
United States Patents

4,444,217 4,562,855 4,574,829 5,004,004 5,014,735



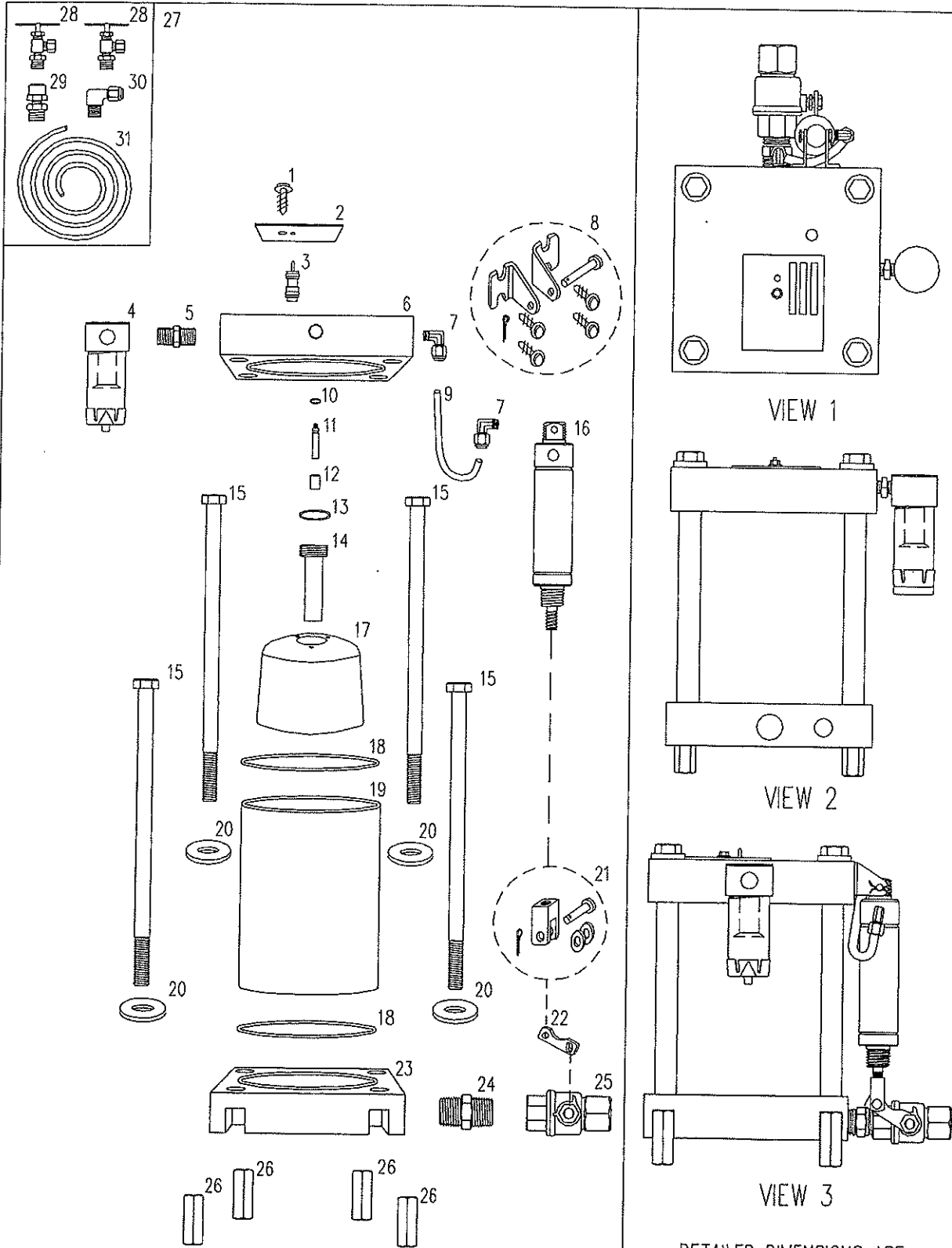


CORROSION HANDLER™ - A1 DIMENSIONAL PRINT





CORROSION HANDLER™ - A1 DISTRIBUTOR PARTS DRAWING



010199CHA1EXP

DETAILED DIMENSIONS ARE
IN DIMENSIONAL PRINT
DRAWING



CORROSION HANDLER™ - A1

PARTS & MATERIALS OF CONSTRUCTION

CODE	PART #	ITEM	DESCRIPTION/REMARKS	Qty
1	302500	Screw, Self-Tapping, #10 x 5/8" L	Zinc Plated Steel	1
2	302806	Name Plate	Aluminum	1
3	300600	Push to Test Button, 0.380" Dia x 1.265" L	Brass	1
4	300700	Control Air Filter Assembly, 1/4" NPT	Aluminum Head, Polycarbonate Bowl, Push Drain	1
5	300800	Hex Nipple, 1/4" NPT, 1-1/8" L	Brass	1
6	170170	Head, 7" W x 7" D, x 1-1/2" T	Black Anodized, 6061-T6 Aluminum	1
7	301000	Elbow Fitting, 1/8" NPT - 1/4" Tube	Brass	2
8	300301	Cylinder Mount Kit	Includes:	1
			(2) Brackets-Electroless Nickel Plated	
			(4) Screws-Zinc Plated Steel	
			(1) Mount Pin-Electroless Nickel Plated	
			(1) Cotter Pin-Stainless Steel	
9	350350	Control Air Tube, 1/4" Dia x 6" L	Nylon	1
10	302210	Valve Stem O-ring, 0.235" ID x 0.069" T	Viton, Brown	1
11	100735	Valve Stem, 0.363" Dia x 2.235" L	O-ring Seal, Black Anodized, 6061-T6 Aluminum	1
12	400100	Inner Magnet, 0.895" Dia x 1.450" L	Ceramic with Viton Ends and Covering	1
13	302215	Center Tube O-ring, 1.096" ID x 0.069" T	Viton, Brown	1
14	200180	Center Tube, 1.15" Dia x 4.5" L	O-ring Seal, Black Anodized, 6061-T6 Aluminum	1
15	302270	Hex Bolt, 1/2" - 13 x 10" L	Zinc Plated Steel	4
16	350300	Pneumatic Cylinder, 1.25" Dia	80 - 130 PSI, Stainless Steel Body and Rod, Aluminum Ends	1
17	100480	Float	Polyurethane, Bullet Shaped	1
18	302200	Sleeve O-ring, 5.519" ID x 0.137" T	Viton, Brown	2
19	100300	Sleeve, 6" ID x 7" L x .125" T	Epoxy Fiberglass, Translucent	1
20	301570	Washer, 1/2" SAE	Zinc Plated Steel	4
21	300303	Clevis and Pin Kit	Includes:	1
			(1) Clevis-Electroless Nickel Plated	
			(1) Clevis Pin-Electroless Nickel Plated	
			(2) Washers-Zinc Plated Steel	
			(1) Cotter Pin-Stainless Steel	
22	100800	Control Lever, 1.625" L x 0.500" W x 0.125" T	Stainless Steel for 1/2" NPT Ball Valve	1
23	170270	Base, 7" W x 7" D x 1-1/2" T, 1/2" NPT Ports	Black Anodized, 6061-T6 Aluminum	1
24	300901	Hex Nipple, 1/2" NPT, 1-1/2" L	Stainless Steel	1
25	300205	Heavy Duty Ball Valve, 1/2" NPT	Double O-ring Viton Stem Seals, Nickel Plated Brass	1
26	302370	Coupling Nut, 1/2" - 13 x 1-3/4" L	Zinc Plated Steel	4
27	301130	Installation Kit	Includes:	1
28			(2) Needle Valve-Brass	
29			(1) Straight Fitting-Brass	
30			(1) Elbow Fitting-Brass	
31			(1) 24' - 1/4" Dia LDPE Tube	