

# DSS SERIES

**RE-VERBER-RAY**®

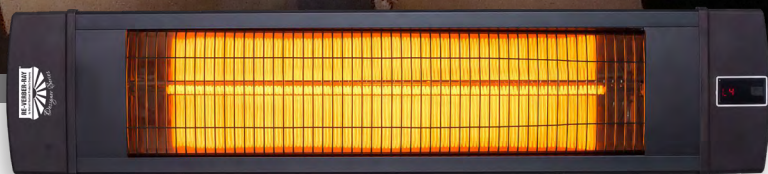
by Detroit Radiant Products Company

*Designer Series*

## MEDIUM-WAVE ELECTRIC INFRARED HEATER

Decorative option for heating high-end patios and outdoor areas by providing spot, total, or comfort heat.

Outdoor approved DSS Series heaters produce medium-wave, instant heat with the use of new technology, carbon lamps encased in a IP55 rated, compact, slim, black enclosure. This heater offers a remote control with timer functionality and four power settings. Operational benefits include a highly efficient energy transfer, even heat distribution, and intense heat output.



### BENEFITS OF HEATING WITH ELECTRIC INFRARED

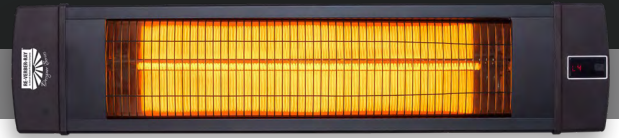
- Superior Comfort
- Reduced Energy Consumption
- Durability
- Even Heat Distribution
- Outdoor Tested & Approved
- Long Lamp Life Expectancy

### PRODUCT FEATURES

- IP55 Design for Outdoor Use
- Remote Control with 3 (120 V) or 4 (230 V) Power Settings
- High Efficiency Carbon Fiber Lamps
- Compact, Slim Design
- Instant Heat
- Overheat & Tip Over Protection

# DSS SERIES

MEDIUM-WAVE ELECTRIC INFRARED HEATER



## PRODUCT SPECIFICATIONS



**Electrical Consumption:**  
From 1,500 to 2,500 watts



**Equivalent BTU/h:**  
5,118 to 8,530 BTU/h



**Length:**  
34.5" L x 7.7" W x 3.3" H



**Lamp Elements:**  
White Carbon Fiber



**Housing:**  
Black Rust-Proof Body



**Certifications & Approvals:**  
ETL Listed, Commercial/Industrial, Outdoor Residential, IP55 Water Resistant



**Limited Warranty:**  
1 year (All Components)



**Electrical:**  
120VAC (1,500 watts); or 230VAC (2,500 watts)

## AVAILABLE DSS MODELS & CLEARANCES

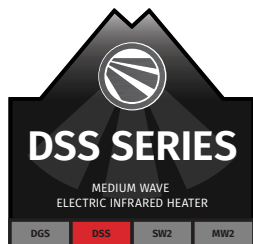
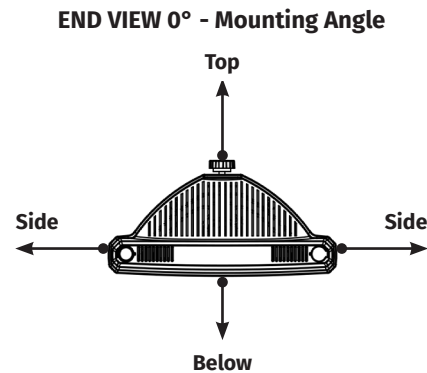
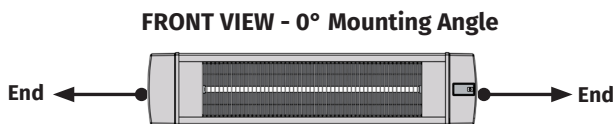
MODEL #	WATTS	VOLTS	AMPS	BTU's	MOUNTING HEIGHTS <sup>1</sup>	MOUNTING ANGLE <sup>2</sup>	SIDE	TOP	BELOW
DSS-35B1-A15	1,500	120	12.5	5,118	7' to 9'	CLEARANCES TO COMBUSTIBLES <sup>3</sup> (INCHES)	13	4	50
DSS-35B1-C25	2,500	230	10.87	8,530	8' to 12'		13	4	50

<sup>1</sup> Factory recommended mounting heights are provided as a guideline. Actual conditions may dictate variations from the above data.

<sup>2</sup> Refer to DSS Manual for additional information about clearances for 45° Mounting Angle.

<sup>3</sup> Supplied bracket to be used for 0° mounting only.

Always maintain the published clearances to combustibles. Clearances published in DSS Series manual and on warning label supersede data shown on this brochure.



**DETROIT RADIANT**  
PRODUCTS COMPANY

21400 Hoover Road, Warren, Michigan 48089 USA  
+1.586.756.0950 | sales@drp-co.com

[www.REVERBERRY.com](http://www.REVERBERRY.com)



Form No. LBDSS\_0321 (XX)

