

Installation Instruction Sheet

PH-BKT Adjustable Wall/Ceiling Mounting Bracket

For use with DSC Series heaters. Contact the factory for instructions for use on the PH Series Patio Heater.

Parts List

- A - (2) Wall Brackets
- B - (2) Connecting Arms
- C - (10) Bolts, Nuts & Lock Washers

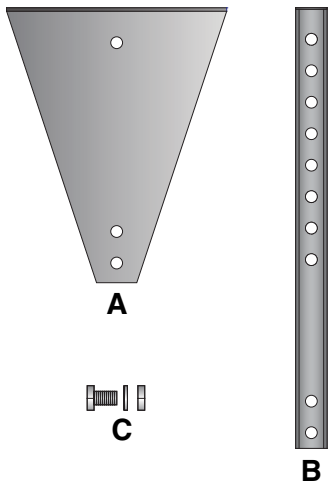
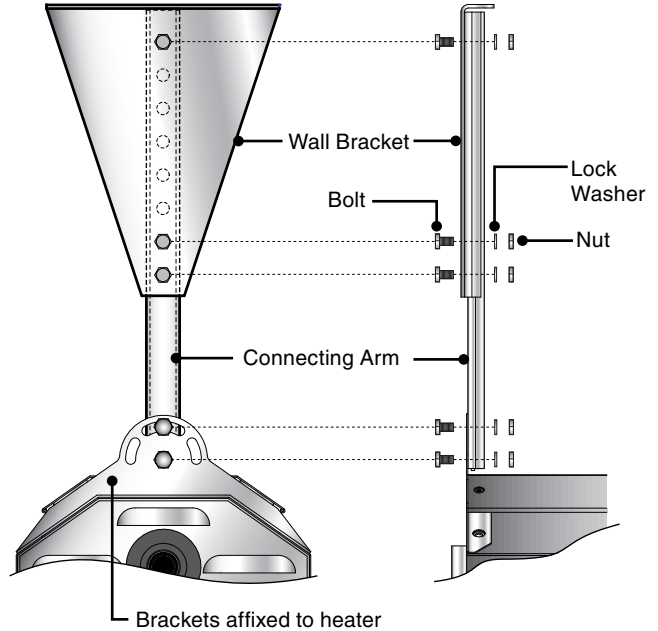
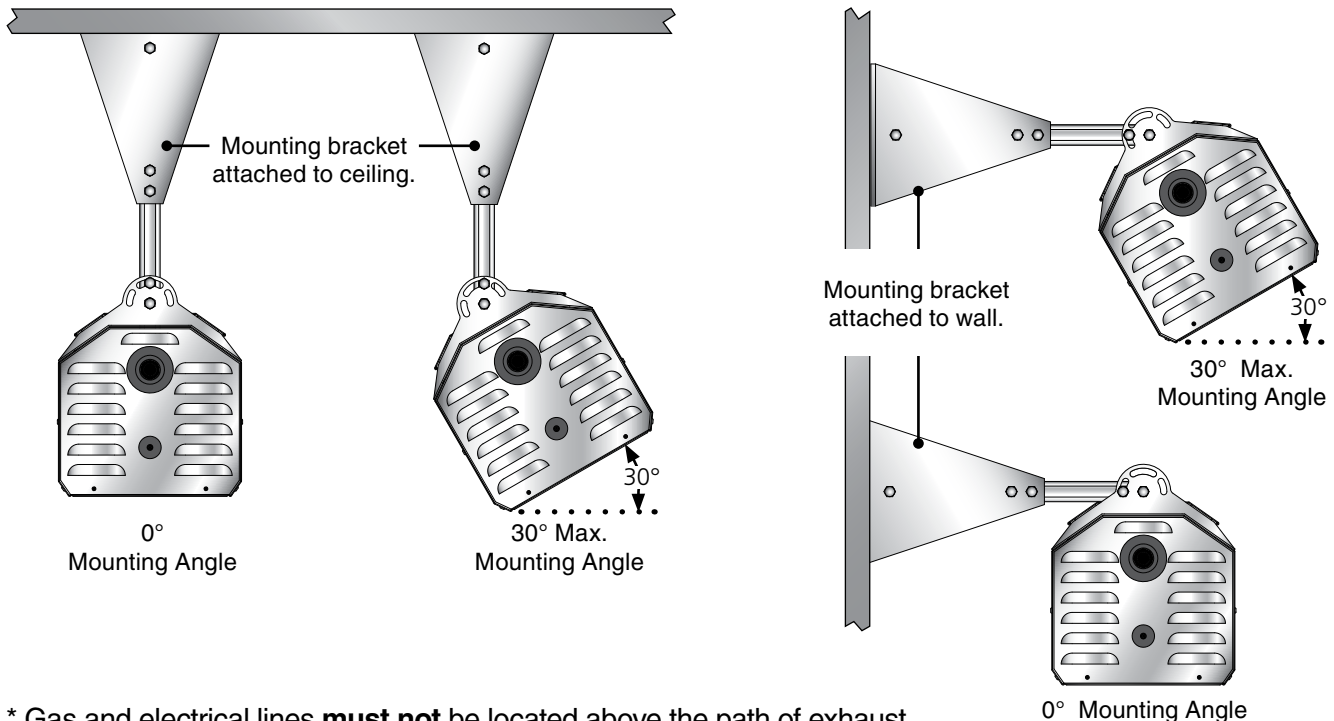


Figure 1 • Basic Assembly



Assemble the mounting hardware as shown in Figure 1. Various mounting configurations can be achieved using the preset mounting bracket. This hardware allows the heater to be installed at an angle between 0° and 30°. This angle must not exceed 30° from horizontal or damage to the eggcrate can occur. All clearances to combustibles **must** be maintained at all times (see Chart 1.1 on reverse).

Figure 2 • Typical Configurations



* Gas and electrical lines **must not** be located above the path of exhaust.

Chart 1.1 • Clearance to Combustibles in Inches (millimeters)

Mounting Angle*	Sides	Back	Top	Below	End(s)	Front
0°	18 (458)	N/A	13 (331)	48 (1220)	12 (305)	N/A
30°	N/A	18 (458)	18 (458)	40 (1016)	12 (305)	36 (915)

The DSC Series heater must be installed 8 feet above the finished floor.

* Heaters mounted on an angle between 1° to 30° must maintain clearances posted for 0° or 30°; whichever is greater.

Figure 3 • Side View

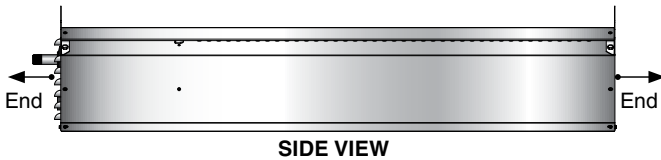


Figure 4 • End View

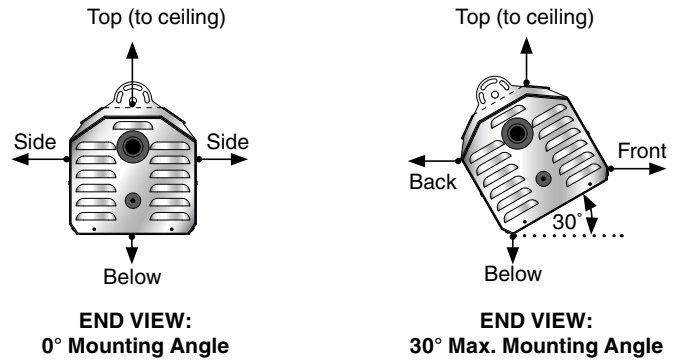


Figure 5 • Mounting Bracket Extension Dimensions

The heater's mounting brackets are adjustable in 1 in. (25.4 mm) intervals when installed with the connecting arms. All clearance to combustibles must be maintained. Refer to the minimum and maximum mounting bracket extensions shown below.

- ① Minimum mounting bracket extension to **non-combustibles only** is 9 in (228.6mm).
- ② Minimum 0° mounting bracket extension is 14.8 in (375.9mm).
- ③ Minimum angle mounting bracket extension (up to 30° max.) is 17.5 in (444.5mm).
- ④ Maximum mounting bracket extension is 20.5 in (520.7mm).

