

BAH SERIES MEDIUM-WAVE

SUBMITTAL DATA ELECTRIC INFRARED SPACE HEATERS

| | |
|-----------------------------|-------------------------|
| SUBMITTED BY: _____ | DATE: _____ |
| JOB TITLE: _____ | CONTRACTOR: _____ |
| ADDRESS: _____ | PHONE #: _____ |
| CITY: _____ | ADDRESS: _____ |
| STATE: _____ ZIP: _____ | CITY: _____ |
| ENGINEER: _____ | STATE: _____ ZIP: _____ |
| LOCAL REPRESENTATIVE: _____ | PHONE: _____ |
| | PHONE: _____ |

| Qty. | Model Number | Overall Length | Volts | kW | Watts | Amps | Phase | BTU's | Ship Weight |
|------|----------------------------------|----------------|-------|-----|-------|------|--------|--------|-----------------|
| | BAH-18-A-05 | 18" | 120 | 0.5 | 500 | 4.2 | Single | 1,700 | 8 lbs (3.6 kg) |
| | BAH-25-A-10 | 25" | 120 | 1.0 | 1,000 | 8.3 | Single | 3,400 | 10 lbs (4.5 kg) |
| | BAH-25-B-10 | 25" | 208 | 1.0 | 1,000 | 4.8 | Single | 3,400 | 10 lbs (4.5 kg) |
| | BAH-25-C-10 | 25" | 240 | 1.0 | 1,000 | 4.2 | Single | 3,400 | 10 lbs (4.5 kg) |
| | BAH-35-A-17² | 35" | 120 | 1.7 | 1,750 | 14.0 | Single | 5,900 | 13 lbs (5.9 kg) |
| | BAH-35-B-17² | 35" | 208 | 1.7 | 1,750 | 8.3 | Single | 5,900 | 13 lbs (5.9 kg) |
| | BAH-35-C-17² | 35" | 240 | 1.7 | 1,750 | 7.0 | Single | 5,900 | 13 lbs (5.9 kg) |
| | BAH-45-B-25² | 45" | 208 | 2.5 | 2,500 | 12.0 | Single | 8,500 | 16 lbs (7.3 kg) |
| | BAH-45-C-25² | 45" | 240 | 2.5 | 2,500 | 10.0 | Single | 8,500 | 16 lbs (7.3 kg) |
| | BAH-60-B-30^{1,2} | 60" | 208 | 3.0 | 3,000 | 14.0 | Single | 10,200 | 20 lbs (9.1 kg) |
| | BAH-60-C-30^{1,2} | 60" | 240 | 3.0 | 3,000 | 12.0 | Single | 10,200 | 20 lbs (9.1 kg) |
| | BAH-60-C-40^{1,2} | 60" | 240 | 4.0 | 4,000 | 16.5 | Single | 13,500 | 20 lbs (9.1 kg) |
| | BAH-60-D-40¹ | 60" | 575 | 4.0 | 4,000 | 7.0 | Single | 13,500 | 20 lbs (9.1 kg) |

¹ Truckline Only, ² Stocked unit.

DETROIT RADIANT PRODUCTS CO.

VISIT OUR WEBSITE FOR:



21400 Hoover Rd.
Warren, MI 48089-3162

Phone: (586) 756-0950
Toll Free: (800) 222-1100
Fax: (586) 756-2626
Email: sales@drp-co.com
Website: www.detroitradiant.com

- Product Specs
- Parts Support
- Dealer Locator
- Applications
- CAD/Revit Library
- Design Guidelines
- Theory of Infrared
- and More!

LSBAH-0M-1018 (DRP)

BAH SPECIFICATIONS



HEATER CONSTRUCTION

- High-end quality and compact, aesthetic design.

REFLECTORS

- Wide, symmetrical design.

LAMP ELEMENTS

- High resistance Quartz.
- Instant heat-up to 3,500°F in 2 seconds.

CONTROLS

- Field supplied.

ELECTRICAL SUPPLY

- Voltages from 120 to 575 VAC
- Single-phase.
- 500 to 4,000 W per unit.

MOUNTING

- Optional 0° to 45° adjustable mounting brackets.

APPROVALS

- ETL Design Certified for indoor applications.
- Commercial/Industrial Approval.
- Not for home or recreational use in a living space or dwelling.

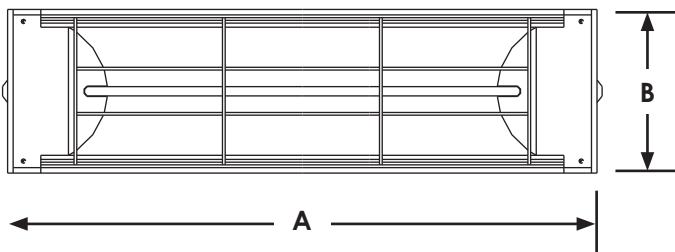
LIMITED WARRANTY

- All components - 1 year.
- Please contact the factory for further information on the terms and conditions.*

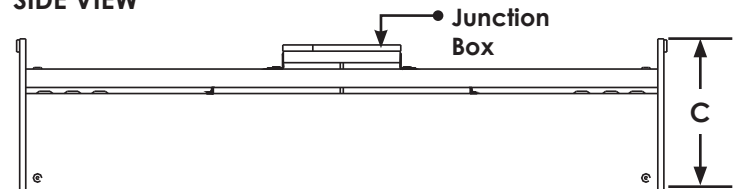
FIELD DATA

DIMENSIONAL INFORMATION

BOTTOM VIEW



SIDE VIEW

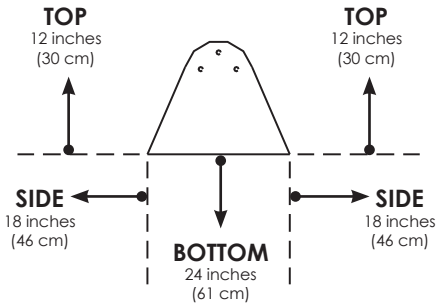


| MODEL NUMBER | DIM A INCHES (mm) | DIM B INCHES (mm) | DIM C INCHES (mm) |
|--------------|-------------------|-------------------|-------------------|
| BAH-18 | 18 (457) | 6.75 (172) | 6.375 (163) |
| BAH-25 | 25 (635) | 6.75 (172) | 6.375 (163) |
| BAH-35 | 35 (889) | 6.75 (172) | 6.375 (163) |
| BAH-45 | 45 (1143) | 6.75 (172) | 6.375 (163) |
| BAH-60 | 60 (1524) | 6.75 (172) | 6.375 (163) |

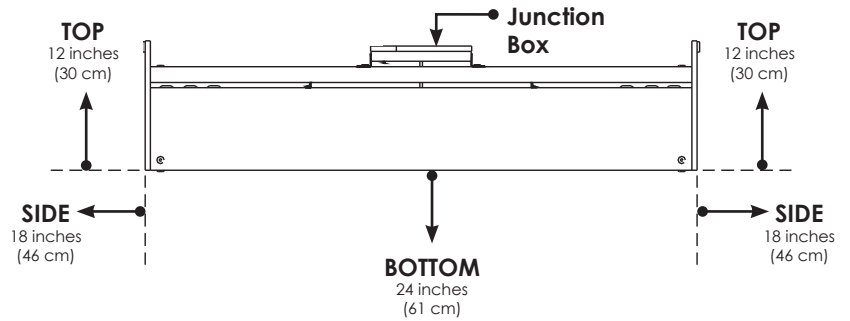
CLEARANCES TO COMBUSTIBLES IN INCHES (IN)

Clearances to combustibles **must** be maintained. Clearances are measured from the radiant surface and/or heater bottom to the nearest combustible surface. It is essential that the position and the angle of the installation avoids any possibility of curtains, draperies, or other flammable material coming in contact with the heater.

END VIEW



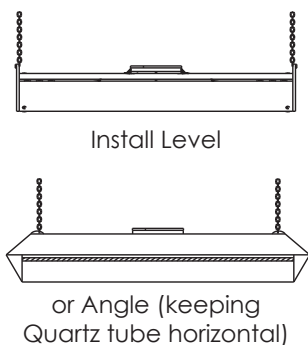
SIDE VIEW



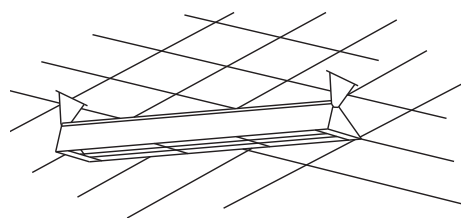
OPTIONAL ACCESSORIES

| QTY. | PART NO. | DESCRIPTION | NOTES |
|------|----------|-----------------------------------|--|
| | THCS | 5' Mounting Chain Set | Chain set with 2) 'S'-hooks. Used for hanging heater. Two needed per heater. 0-20° adjustment range. |
| | MB-1 | BAH Mounting Bracket Set | Used for wall and ceiling mounting. Total range of adjustment is 180°. Sold in pairs. |
| | MWC-16 | 120V Variable Heat Controller | On/off with heater output modulation. 15 Amp. 1600 Watts max. |
| | MWC-32 | 208-240V Variable Heat Controller | On/off with heater output modulation. 15 Amp. 3200 Watts max. |
| | SMWC-18 | 120V Variable Heat Controller | On/off with heater output modulation. 15 Amp. 1800 Watts max. |
| | SMWC-36A | 208-240V Variable Heat Controller | On/off with heater output modulation. 15 Amp. 3600 Watts max. |
| | TH-1A66 | Heater Thermostat | For use on heaters up to 277 V. 22 amps at 120 or 240 VAC non-inductive; 18 amps at 277 VAC non-inductive. |
| | VHC-3 | 208-240V Variable Heat Controller | Suitable for up to a 3kW of infrared heater. Integral on/off switch. Fully adjustable power setting. |
| | TC-6 | Push Button Timer Control | Suitable for up to 5-6kW of infrared heaters at 208-240V supply. 5 to 70 minute time delay. IP55 rated. |
| | PLQ | Clearance Safety Limit Sign | Designed to be hung or adhered at clearance to combustible limit. 24 ga. aluminum 10" x 7". |

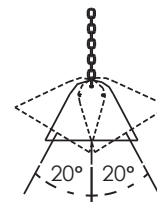
Chain Mounting



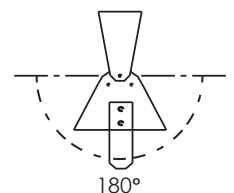
Ceiling or Wall Surface Mounting



3-Position Chain Mounting



180° Adjustable Bracket Mounting (Sold Separately)



WRITTEN SPECIFICATIONS

BAH SERIES INFRARED HEATER PARAMETER/SPECIFICATIONS

- Electric infrared space heaters shall be supplied and installed in accordance with the manufacturer's certified installation instructions and governing codes, as shown per building drawing(s) _____
Medium-wave electric heaters shall be **RE-VERBER-RAY® BAH SERIES**, as manufactured by Detroit Radiant Products Company, Warren, MI 48089.
- Medium-wave infrared heaters shall be Design Certified by Intertek and bear the ETL Seals of Certification for the United States and Canada. Certified to UL Standard number 1278 and Canadian Standard number 46-M1988-ELECTRIC AIR-HEATERS.
- The quartz tubing shall be opaque in color allowing maximum radiant heat transfer.
- Heaters shall operate in given voltages 120, 208, 240, and 575 single-phase 50/60 Hz.
- Heaters shall operate in given kilowatt inputs 0.5, 1.0, 1.7, 2.5, 3.0, and 4.0.
- Heaters radiant efficiency shall be 76% minimum.
- The manufacturer shall have a minimum of 35 years of manufacturing experience producing infrared heaters.
- The heater reflector shall be constructed of specular

BAH SERIES INFRARED HEATER CONSTRUCTION

- polished aluminum.
- The emitter tubing shall be ½" I.D. drawn Quartz with high temperature ceramic end caps.
- The heater body shall be powder-coated steel.
- The protective grill shall be bright zinc coated.
- Optional factory supplied mounting brackets shall accommodate for sidewall or ceiling mounting.