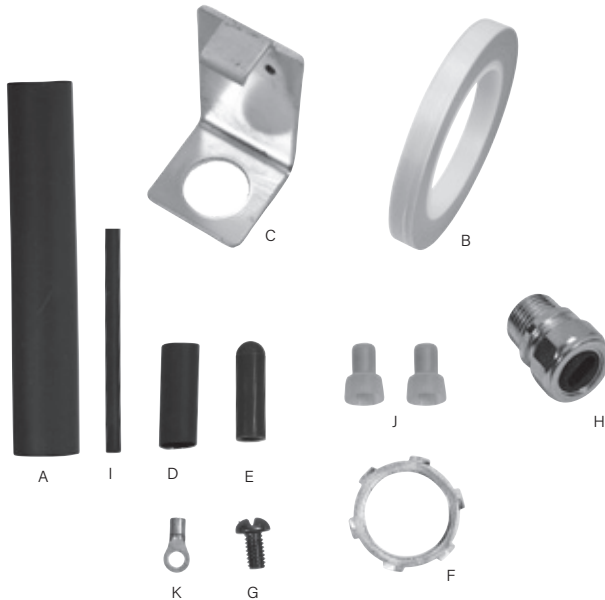


PCK-C6

CO Series Power Connection Kit



DESCRIPTION

PCK-C6 allows you to make electrical connections with all Commercial Series self-regulating heating cables in pipe tracing applications. The kit contains material for one power connection and one end termination.

ITEMS REQUIRED BUT NOT SUPPLIED

- Weather-Tight Junction Box, .75" (2cm) Hub
- Pipe Strap

TOOLS REQUIRED

- Crimping Tool
- Wire Stripper/Cutter
- Utility Knife
- Flat-Blade Screwdriver
- Needle-Nose Pliers
- Adjustable Wrench
- Heat Gun
- Measuring Tape



L

- | | |
|--|---|
| A. Heat Shrink Sleeve
.75" x 6" (2 x 15cm) | F. .75" (2cm) Sealing Locknut |
| B. High Temperature Fiberglass Tape | G. Ground Screw |
| C. Standoff Bracket | H. Connector Assembly .75"
.125" x 2.5" (.3 x 6cm) |
| D. Heat Shrink Sleeve
.5" x 1.5" (1 x 11cm) | J. Closed-End Crimp Connectors (2) |
| E. Heat Shrink Cap
.5" x 1.5" (1 x 11cm) | K. Ring Connector |
| | L. Caution Labels (6) |



WARNING: This kit and the cable used with it must be installed by a qualified electrician. All assembly, installation, and test instructions must be followed. Improper installation can result in property damage, serious injury, and/or death due to electric shock and fires. Please call Delta-Therm Corporation at 1-800-526-7887 with any installation or operating questions.