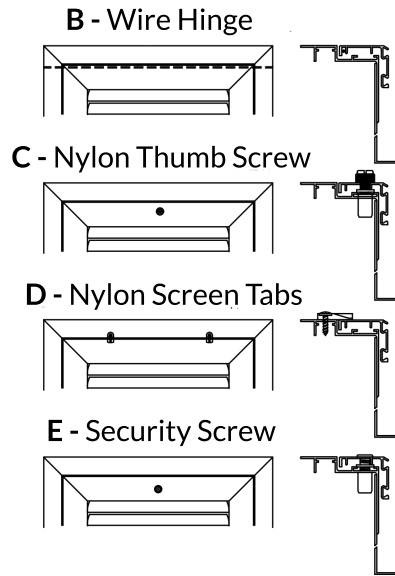
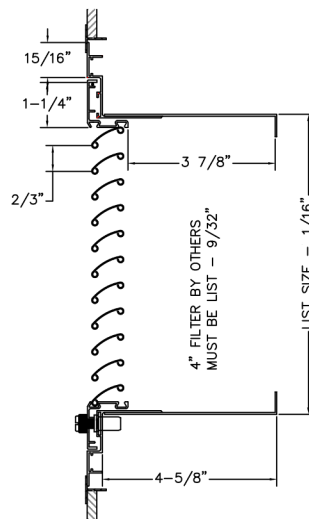
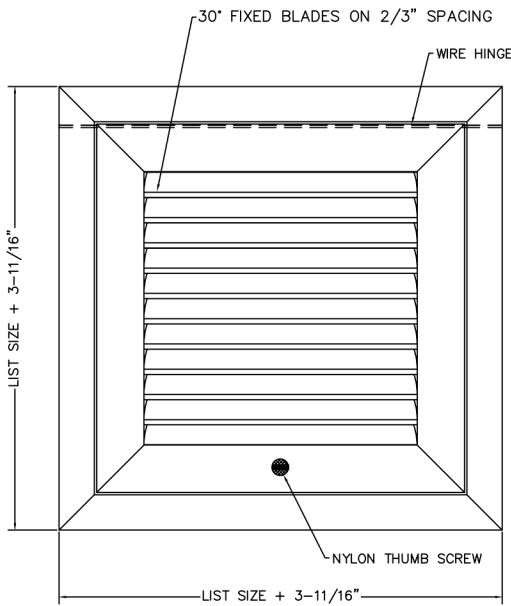




- Horizontal blades fixed on 30° deflection and 2/3" spacing.
- Aluminum roll-formed blade pressure fitted for rattle free performance.
- Outer frame designed to lay-in standard T-Bar ceilings.
- Designed to fit a standard 4" filter depth.
- High quality aluminum extruded frames.
- Mullions used for sizes over 22" in length.
- Available on 2" increments as standard. Custom sizes available down to 1/16" increments.
- Available with durable powder coat finish.



B - Wire Hinge mounting is for hinged access only, and grille face is connected to the outer filter frame.

E - Security Key bit is required for access. The security key is available separately for order as a FG-KEY.

1. Select a Top Mounting Option

Optional to specify.
B - Wire Hinge is standard.

- B** - Wire Hinge
- C** - Nylon Thumb Screw
- D** - Nylon Screen Tabs
- E** - Security Screw

2. Select a Bottom Mounting Option

Optional to specify.
C - Nylon Thumb Screw is standard.

- B** - Wire Hinge
- C** - Nylon Thumb Screw
- D** - Nylon Screen Tabs
- E** - Security Screw

Order 4" smaller than the T-Bar opening.

e.g. a 20" x 20" DARH-FG4-TB grille will fit a standard 2'x2' T-Bar opening.

3. Specify the Length x Height Dimensions

Inches MM _____ x _____

4. Select a Finish

- W** - White
- S** - Silver
- M** - Mill

5. Select a Lead Time

- 3 Day Ship
- Next Friday
- Standard Delivery



Project / Location: _____

Architect: _____

Engineer: _____

Contractor: _____

