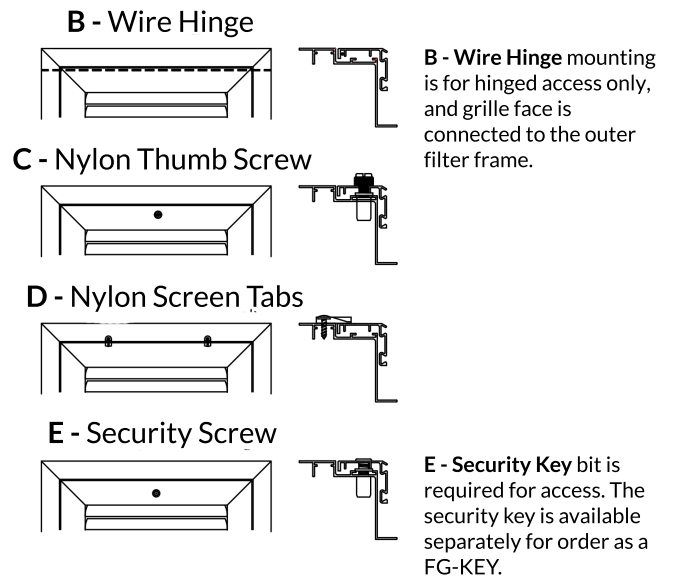
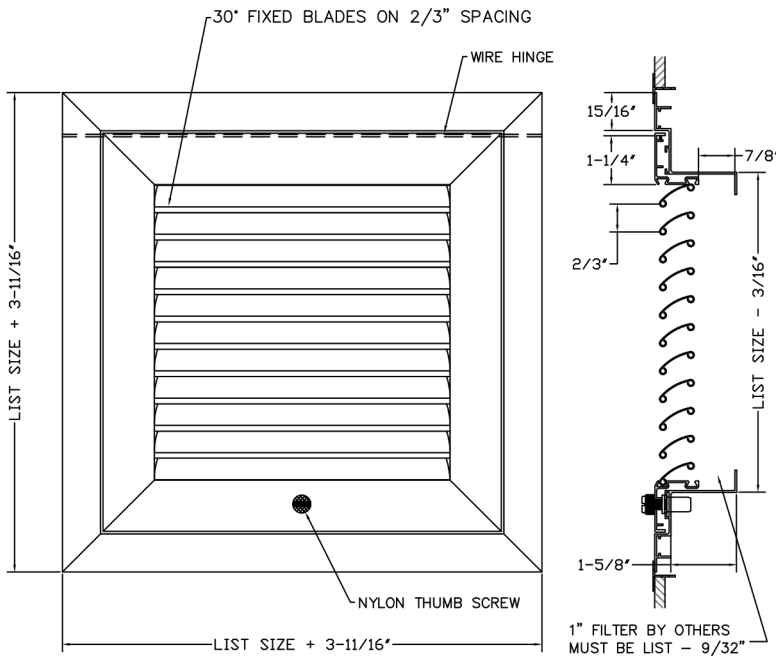




- Horizontal blades fixed on 30° deflection on 2/3" spacing.
- Aluminum roll-formed blade pressure fitted for rattle free performance.
- Outer frame designed to lay-in standard T-Bar ceilings.
- Designed to fit a standard 1" filter depth.
- High quality aluminum extruded frames.
- Mullions used for sizes over 22" in length.
- Available on 2" increments as standard. Custom sizes available down to 1/16" increments.
- Available with durable powder coat finish.



**1. Select a Top Mounting Option**

Optional to specify.  
B - Wire Hinge is standard.

- B - Wire Hinge
- C - Nylon Thumb Screw
- D - Nylon Screen Tabs
- E - Security Screw

**2. Select a Bottom Mounting Option**

Optional to specify.  
C - Nylon Thumb Screw is standard.

- B - Wire Hinge
- C - Nylon Thumb Screw
- D - Nylon Screen Tabs
- E - Security Screw

Order 4" smaller than the T-Bar opening.

e.g. a 20" x 20" DARH-FG-TB grille will fit a standard 2'x2' T-Bar opening.

**3. Specify the Length x Height Dimensions**

Inches      MM \_\_\_\_\_ x \_\_\_\_\_

**4. Select a Finish**

- W White
- S Silver
- M Mill

**5. Select a Lead Time**

- 3 Day Ship
- Next Friday
- Standard Delivery



**Project / Location:** \_\_\_\_\_

**Architect:** \_\_\_\_\_

**Engineer:** \_\_\_\_\_

**Contractor:** \_\_\_\_\_

