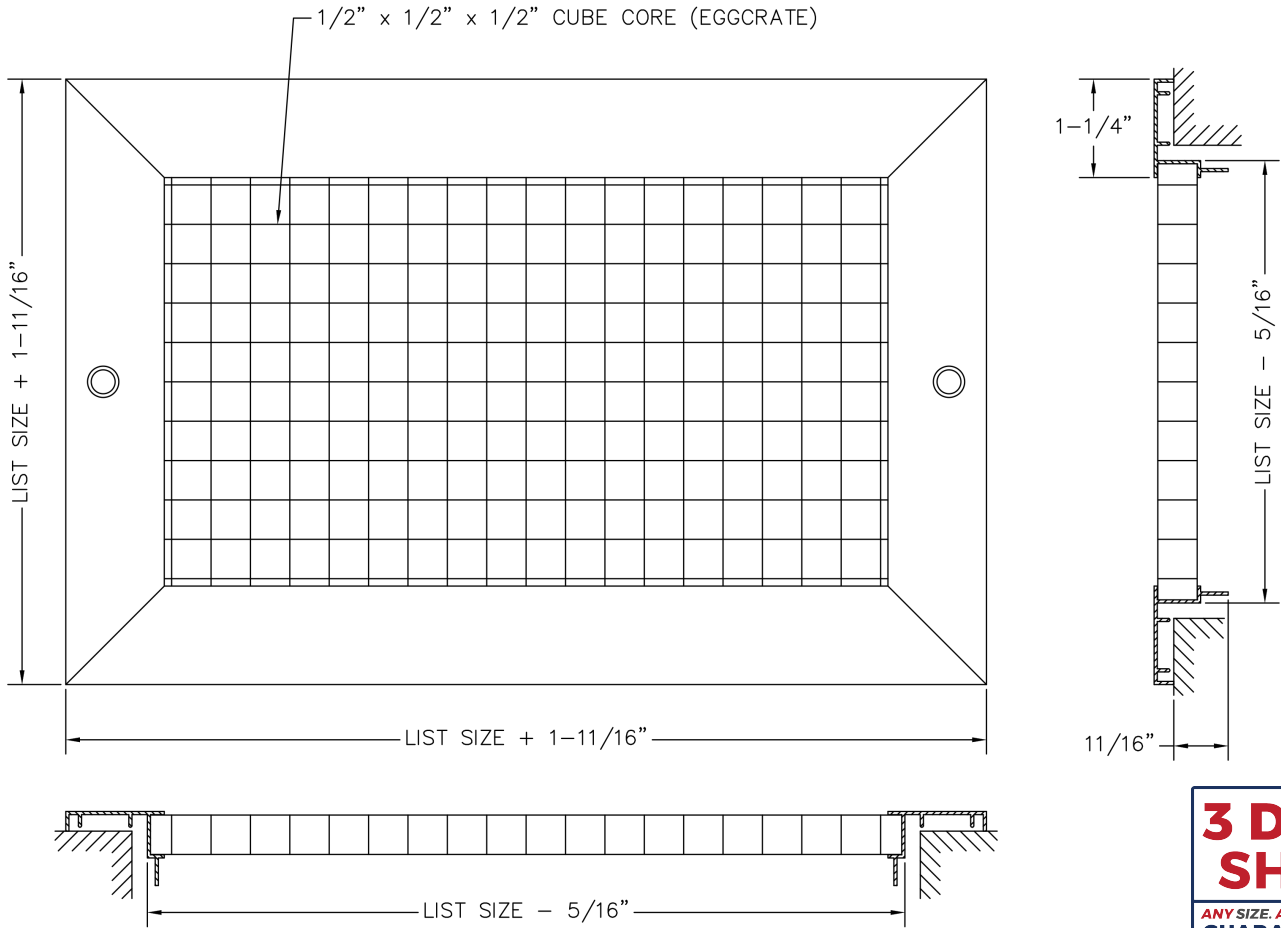


- $\frac{1}{2}$ " x $\frac{1}{2}$ " x $\frac{1}{2}$ " aluminum eggcrate core.
- High quality aluminum extruded frame.
- Countersunk #6 screw hole mounting c/w painted screws.
- Mullions used for sizes over 60" in length.
- Available on 2" increments as standard. Custom sizes available down to 1/16" increments.
- Available with durable powder coat finish.



3 DAY SHIP
 ANY SIZE. ANY MODEL.
 GUARANTEED

Additional Options

- D** - Opposed Blade Damper
- TB** - No Screw Holes
- AA** - All Aluminum

1. Specify the Length x Height Dimensions

Inches MM _____ x _____

2. Select a Finish

- W White
- S Silver
- M Mill

3. Select a Lead Time

- 3 Day Ship
- Next Friday
- Standard Delivery

Project / Location: _____

Architect: _____

Engineer: _____

Contractor: _____

