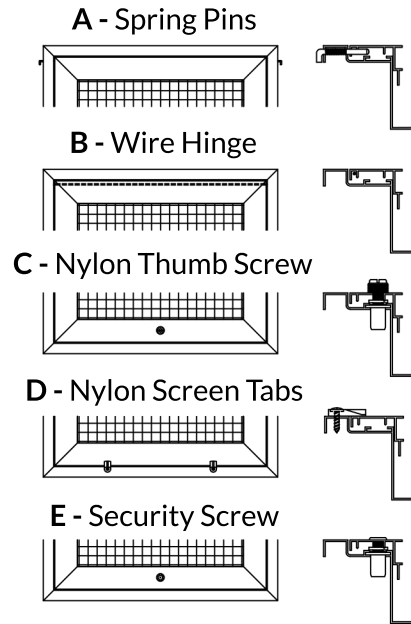
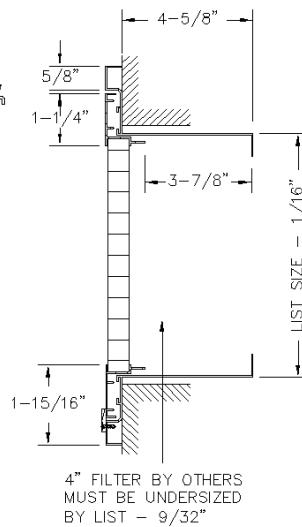
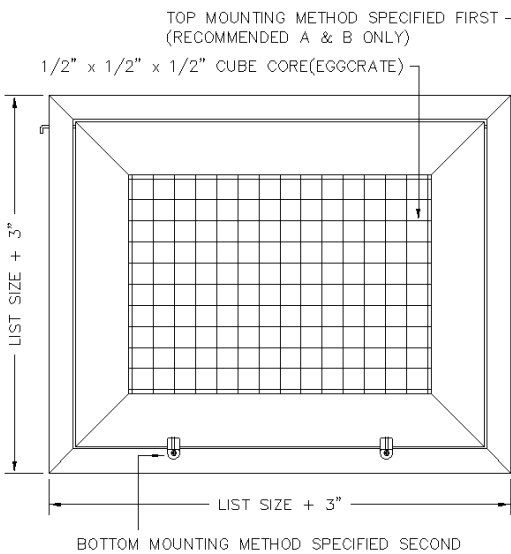




- 1/2" x 1/2" x 1/2" aluminum eggcrate core.
- Designed to fit a standard 4" filter depth.
- High quality aluminum extruded frames.
- Available on 2" increments as standard. Custom sizes available down to 1/16" increments.
- Available with durable powder coat finish.



**A - Spring Pin** mounting allows for easy hinged access and fully removable grille face from outer filter frame.

**B - Wire Hinge** mounting is for hinged access only, and grille face is connected to the outer filter frame.

**E - Security Key** bit is required for access. The security key is available separately for order as a FG-KEY.

**1. Select a Top Mounting Option**

- A - Spring Pins
- B - Wire Hinge
- C - Nylon Thumb Screw
- D - Nylon Screen Tabs
- E - Security Screw

**2. Select a Bottom Mounting Option**

- A - Spring Pins
- B - Wire Hinge
- C - Nylon Thumb Screw
- D - Nylon Screen Tabs
- E - Security Screw

**3. Specify the Length x Height Dimensions**

Inches  MM \_\_\_\_\_ x \_\_\_\_\_

**4. Select a Finish**

- W - White
- S - Silver
- M - Mill

**5. Select a Lead Time**

- 3 Day Ship
- Next Friday
- Standard Delivery



**Additional Options**

- D - Opposed Blade Damper

Project / Location: \_\_\_\_\_

Architect: \_\_\_\_\_

Engineer: \_\_\_\_\_

Contractor: \_\_\_\_\_