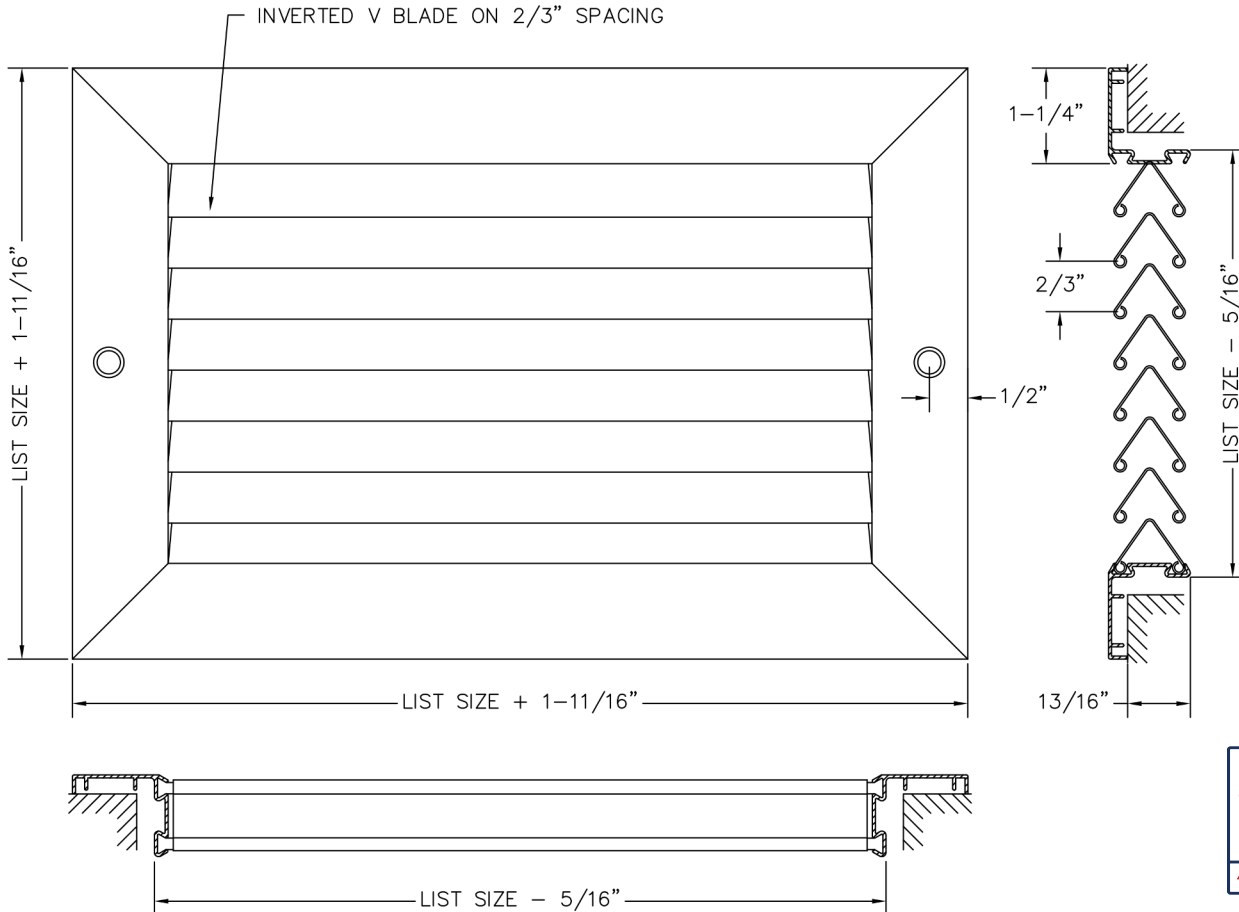




- Inverted V-shaped blades on 2/3" spacing.
- Roll-formed blades designed to minimize vision past core, while maintaining free area for transfer.
- Pressure-fit nylon pivot pins provide rattle free performance.
- High quality aluminum extruded frame.
- Countersunk #6 screw hole mounting c/w painted screws.
- Mullions used for sizes over 22" in length.
- Available on 2" increments as standard. Custom sizes available down to 1/16" increments.
- Available with durable powder coat finish.



See submittal **DANV-A** for Transfer/Door Grille with Standard Flange Frame and Auxiliary Frame.
See submittal **DANV-C** for Transfer/Door Grille with Trim Frame Only.

1. Specify the Length x Height Dimensions

Inches MM _____ x _____

2. Select a Finish

- W - White
 S - Silver
 M - Mill

3. Select a Lead Time

- 3 Day Ship
 Next Friday
 Standard Delivery

Additional Options

- TB - No Screw Holes
 IS - Insect Screen
 AA - All Aluminum

Project / Location: _____
 Architect: _____
 Engineer: _____
 Contractor: _____

