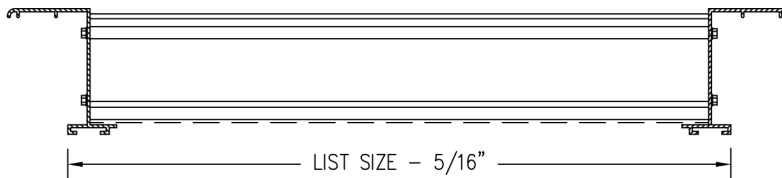
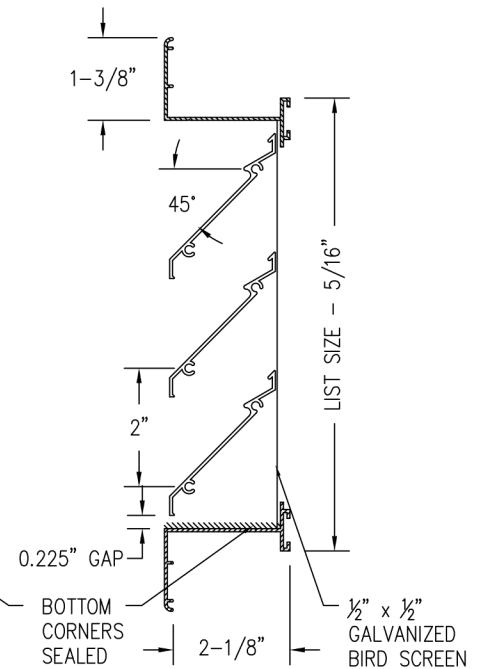
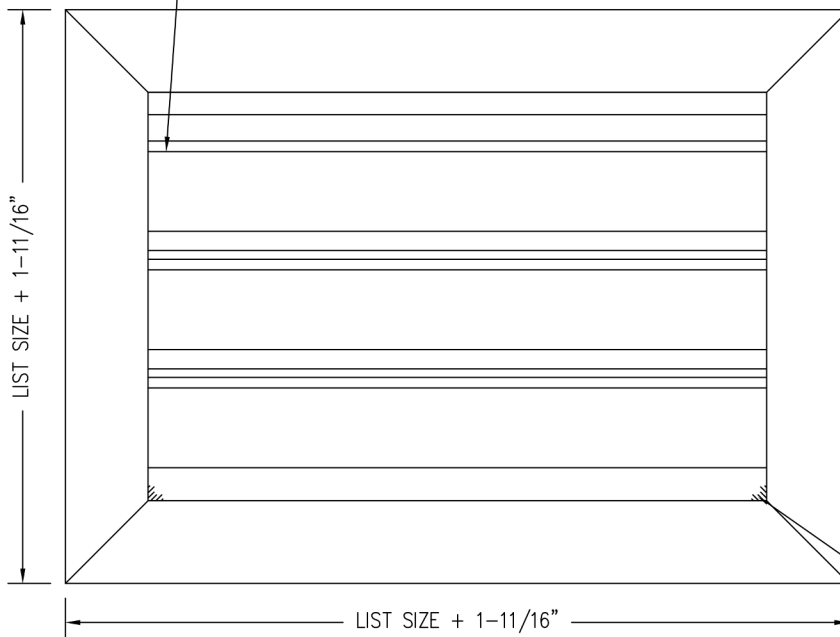




- Extruded storm proof blades designed to prevent water penetration and maximize free area.
- Heavy-duty aluminum extruded flange frame.
- Bird screen included standard. Insect screen can be specified.
- Mullions used for sizes over 36" in length.
- Available on 1" increments as standard. Custom sizes available down to 1/16" increments.
- Available with durable powder coat finish.

STORMPROOF BLADES ON 45° DEFLECTION AND 2" SPACING



Minimum height is 6"

Blade spacing may vary if height is not on 2" increment.



**Additional Options**

- IS - Insect Screen
- A - Screw Holes

**1. Specify the Length x Height Dimensions**

Inches  MM \_\_\_\_\_ x \_\_\_\_\_

**2. Select a Finish**

- W - White
- S - Silver
- B - Brown
- M - Mill
- FB - Flat Black
- Special: \_\_\_\_\_

**3. Select a Lead Time**

- 3 Day Ship
- Next Friday
- Standard Delivery

**Project / Location:** \_\_\_\_\_

**Architect:** \_\_\_\_\_

**Engineer:** \_\_\_\_\_

**Contractor:** \_\_\_\_\_

