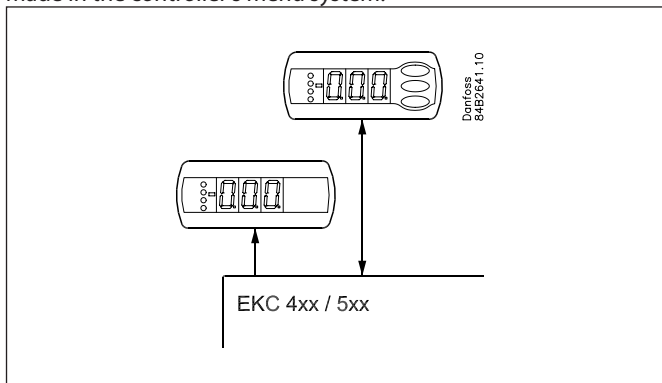


Application

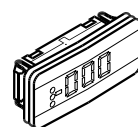
The displays may be used in conjunction with some of the controllers in the AK- and EKC series, e.g. AK-CC, AK-PC, EKC 414, EKC 514.

EKA 161 and 163 has no operating buttons and can be mounted on the refrigeration appliance in such a way that the customer can see the temperature at the goods.

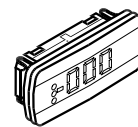
EKA 162 and 164 has operating buttons so that settings can be made in the controller's menu system.



Display for show of measurements

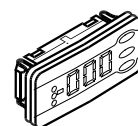


EKA 161

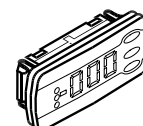


EKA 163

Display for show of measurements and operating buttons for setting of the controllers functions



EKA 162



EKA 164

Comparison

The primary difference between the four display is as follows:

- Design
EKA 161 and EKA 162 follow the design in the EKC 201 series.
EKA 163 and EKA 164 follow the design in the EKC 102 and 202 series.
- With or without operation
- Enclosure IP40 or IP65
- Plug connection or screw terminals

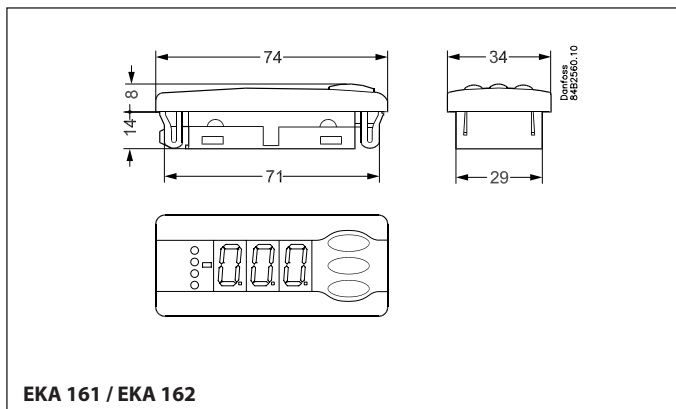
There are 2 types: type A and type B.

Type A has a stronger communication circuit that covers both RS 485 and TTL.

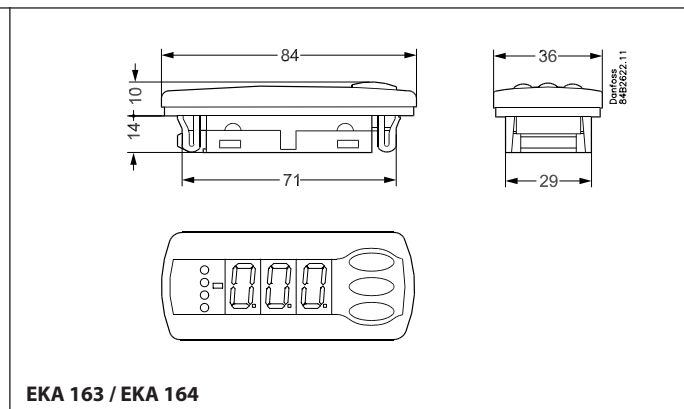
Type A can be used instead of type B.

Do not use type B when controller data requires type A.

Dimensions



EKA 161 / EKA 162




EKA 163 / EKA 164

Data

Supply	12 V +/-15% (from controller)	
Display/ operation	Readout accuracy in measuring range: 0.1°C EKA 161 / 163, LED, 3-digits EKA 162 / 164, LED, -digits, operation buttons	
Electrical connection	EKA 161 EKA 162	Via plug
	EKA 163A EKA 164A	Via screw terminals
	EKA 163B EKA 164B	Via plug
Communica- tion	A-Version	RS 485* and TTL
	B-Version	TTL
Environments	-10 - 55°C, during operation	
	-40 - 70°C, during transport	
	20 - 80% Rh, non condensing	
	No shock influence / no vibrations	
Enclosure	From back	IP 20
Front mounting	EKA 161 EKA 162	IP 40
	EKA 163 EKA 164	IP 65

* The installation of data communication must keep the requirements which are described in literature no. RC8AC

Ordering

Type	Description	Code no.
EKA 161	Display unit	084B8568
EKA 162	Display unit with operation buttons	With plug 084B8569
EKA 163A	Display unit	Screw terminals 084B8562
EKA 163B		With plug 084B8574
EKA 164A	Display unit with operation buttons	Screw terminals 084B8563
EKA 164B		With plug 084B8575
	Cable for display unit (2 m m/each)	1. 084B7298
		24 084B7179
	Cable for display unit (6 m m/plug)	1 084B7299
		24 084B7097
	Cable for display unit (3 m m/plug)	24 084B7099

See also the connection option for the actual controller