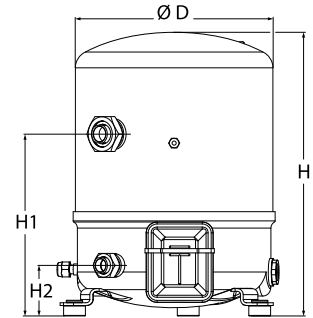


**General Characteristics**

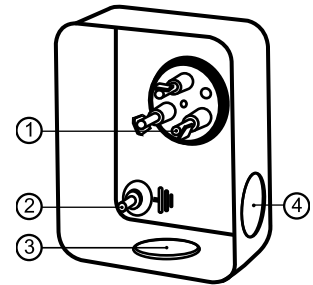
|   |  |                           |
|---|--|---------------------------|
| Model number (on compressor nameplate)            |  | <b>MT72HN3CVE</b>         |
| Code number for Singlepack*                       |  | MT72-3VI                  |
| Code number for Industrial pack**                 |  | MT72-3VM                  |
| Drawing number                                    |  | 8502012g                  |
| Suction and discharge connections                 |  | Rotolock                  |
| Suction connection                                |  | 1-3/4 " Rotolock          |
| Discharge connection                              |  | 1-1/4 " Rotolock          |
| Suction connection with supplied sleeve           |  | 7/8 " ODF                 |
| Discharge connection with supplied sleeve         |  | 3/4 " ODF                 |
| Oil sight glass                                   |  | Threaded                  |
| Oil equalization connection                       |  | 3/8" flare SAE            |
| Oil drain connection                              |  | None                      |
| LP gauge port                                     |  | Schrader                  |
| IPR valve   |  | 435 psi / 115 psi         |
| Cylinders   |  | 2                         |
| Swept volume                                      |  | 7.38 in <sup>3</sup> /rev |
| Displacement @ Nominal speed                      |  | 897 cfh @ 3500 rpm        |
| Net weight  |  | 88 lbs                    |
| Oil charge  |  | 61 oz, Mineral - 160P     |
| Maximum system test pressure Low Side / High side |  | 363 psi / 435 psi         |
| Maximum differential test pressure                |  | 435 psi                   |
| Maximum number of starts per hour                 |  | 12                        |
| Refrigerant charge limit                          |  | 11 lbs                    |
| Approved refrigerants                             |  | R22, R417A-160PZ          |

**Dimensions**



D=11.3 inch, H=16.3 inch,  
H1=10.4 inch, H2=2.9 inch

**Terminal box**



IP55 (with cable gland)

- 1: Spade connectors 1/4"
- 2: Earth M4-12
- 3: Knock-out Ø 21 mm (0.83")
- 4: Hole Ø 21 mm (0.83")

**Electrical Characteristics**

|  |                             |
|--|-----------------------------|
| Nominal voltage                                    | 200-230V/3/60Hz             |
| Voltage range                                      | 180-253 V                   |
| Winding resistance (between phases) +/- 7% at 77°F | 0.55 Ω                      |
| Maximum Continuous Current (MCC)                   | 30 A                        |
| Locked Rotor Amps (LRA)                            | 135 A                       |
| Motor protection                                   | Internal overload protector |

**Recommended Installation torques**

|                                      |                   |
|--------------------------------------|-------------------|
| Oil sight glass                      | 37 ft.lbs         |
| Power connections / Earth connection | ft.lbs / 1 ft.lbs |
| Mounting bolts                       | 11 ft.lbs         |

**Parts shipped with compressor**

|  |
|--|
| Mounting kit with grommets, bolts, nuts, sleeves and washers                                       |
| Suction & Discharge solder sleeves, rotolock nuts and gaskets (shipped with rotolock version only) |
| Initial oil charge   |
| Installation instructions  |

**Approvals** : CE certified, UL certified (file SA6873), -

\*Singlepack: Compressor in cardboard box

\*\*Industrial pack: 6 Unboxed compressors on pallet (order per multiples of 6)

**Rotolock accessories, suction side**

**Code no.**

|   |         |
|---|---------|
| Solder sleeve, P07 (1-3/4" Rotolock, 7/8" ODF)  | 8153013 |
| Angle adapter, C07 (1-3/4" Rotolock, 7/8" ODF)  | 8168008 |
| Rotolock valve, V07 (1-3/4" Rotolock, 7/8" ODF) | 8168032 |
| Gasket, 1-3/4"                                  | 8156132 |

**Rotolock accessories, discharge side**

**Code no.**

|   |         |
|---|---------|
| Solder sleeve, P04 (1-1/4" Rotolock, 3/4" ODF)  | 8153008 |
| Angle adapter, C04 (1-1/4" Rotolock, 3/4" ODF)  | 8168006 |
| Rotolock valve, V04 (1-1/4" Rotolock, 3/4" ODF) | 8168029 |
| Gasket, 1-1/4"                                  | 8156131 |

**Rotolock accessories, sets**

**Code no.**

|   |         |
|---|---------|
| Angle adapter set, C07 (1-3/4"~7/8"), C04 (1-1/4"~3/4")   | 7703013 |
| Valve set, V07 (1-3/4"~7/8"), V04 (1-1/4"~3/4")           | 7703006 |
| Gasket set, 1", 1-1/4", 1-3/4", OSG gaskets black & white | 8156009 |

**Oil / lubricants**

**Code no.**

|                                |         |
|--------------------------------|---------|
| Mineral oil, 160P, 2 liter can | 7754001 |
| Mineral oil, 160P, 5 liter can | 7754002 |

**Crankcase heaters**

**Code no.**

|  |          |
|--|----------|
| PTC heater 27W                                       | 120Z0459 |
| Belt type crankcase heater, 65 W, 110 V, CE mark, UL | 7773109  |
| Belt type crankcase heater, 65 W, 230 V, CE mark, UL | 7773107  |

**Miscellaneous accessories**

**Code no.**

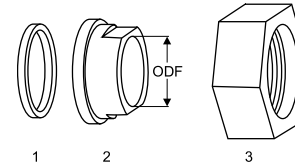
|   |         |
|---|---------|
| Acoustic hood for 2 cylinder compressor | 7755002 |
| Oil equalisation nut                    | 8153127 |

**Spare parts**

**Code no.**

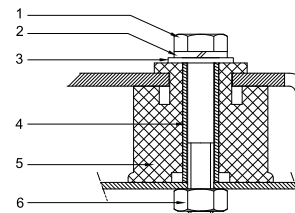
|   |         |
|---|---------|
| Mounting kit for 1 and 2 cylinder compressor, including 3 grommets, 3 bolts | 8156001 |
| Oil sight glass with gaskets (black & white)                                | 8156019 |
| Gasket for oil sight glass (black chloroprene)                              | 8156145 |
| Service kit for terminal box 80 x 96 mm, including 1 cover, 1 clamp         | 8156134 |

**Gaskets, sleeves and nuts**



- 1: Gasket
- 2: Solder sleeve
- 3: Rotolock nut

**Mounting kit**



- 1: Bolt (3x)
- 2: Lock washer (3x)
- 3: Flat washer (3x)
- 4: Sleeve (3x)
- 5: Grommet (3x)
- 6: Nut (3x)

Danfoss can accept no responsibility for possible errors in catalogues, brochures and other printed material. Danfoss reserves the right to alter its products without notice. This also applies to products already on order provided that such alternations can be made without subsequential changes being necessary in specifications already agreed. All trademarks in this material are property of the respective companies. Danfoss, the Danfoss logotype and Maneurop are trademarks of Danfoss A/S. All rights reserved.

Performance data at 60 Hz, ARI rating conditions

R22

| Cond. temp.<br>in °F (tc) | Evaporating temperature in °F (to) |   |    |    |    |    |    |    |
|---------------------------|------------------------------------|---|----|----|----|----|----|----|
|                           | -10                                | 0 | 10 | 20 | 30 | 40 | 45 | 50 |

Cooling capacity in Btu/h

|     |        |        |        |        |        |        |        |         |         |
|-----|--------|--------|--------|--------|--------|--------|--------|---------|---------|
| 90  | 21 172 | 29 913 | 40 349 | 52 680 | 67 106 | 83 827 | 93 111 | 103 043 | 113 650 |
| 100 | 18 807 | 27 174 | 37 128 | 48 870 | 62 601 | 78 520 | 87 362 | 96 827  | 106 938 |
| 110 | 16 802 | 24 723 | 34 125 | 45 208 | 58 172 | 73 217 | 81 582 | 90 543  | 100 124 |
| 120 | -      | 22 619 | 31 398 | 41 750 | 53 877 | 67 978 | 75 831 | 84 252  | 93 268  |
| 130 | -      | -      | 29 006 | 38 557 | 49 776 | 62 861 | 70 167 | 78 014  | 86 428  |
| 140 | -      | -      | -      | 35 688 | 45 927 | 57 927 | 64 649 | 71 886  | 79 663  |
| 150 | -      | -      | -      | -      | 42 390 | 53 233 | 59 336 | 65 928  | 73 033  |

Power input in W

|     |       |       |       |       |       |       |       |       |       |
|-----|-------|-------|-------|-------|-------|-------|-------|-------|-------|
| 90  | 3 377 | 3 859 | 4 336 | 4 790 | 5 207 | 5 572 | 5 730 | 5 870 | 5 989 |
| 100 | 3 565 | 4 070 | 4 576 | 5 066 | 5 525 | 5 939 | 6 123 | 6 291 | 6 440 |
| 110 | 3 773 | 4 306 | 4 844 | 5 374 | 5 880 | 6 347 | 6 560 | 6 759 | 6 939 |
| 120 | -     | 4 567 | 5 144 | 5 719 | 6 275 | 6 799 | 7 044 | 7 275 | 7 490 |
| 130 | -     | -     | 5 478 | 6 101 | 6 713 | 7 299 | 7 577 | 7 843 | 8 094 |
| 140 | -     | -     | -     | 6 524 | 7 196 | 7 848 | 8 162 | 8 464 | 8 755 |
| 150 | -     | -     | -     | -     | 7 727 | 8 449 | 8 800 | 9 143 | 9 474 |

Current consumption in A

|     |       |       |       |       |       |       |       |       |       |
|-----|-------|-------|-------|-------|-------|-------|-------|-------|-------|
| 90  | 13.40 | 14.50 | 15.65 | 16.81 | 17.91 | 18.91 | 19.34 | 19.73 | 20.07 |
| 100 | 13.82 | 15.00 | 16.26 | 17.53 | 18.78 | 19.93 | 20.45 | 20.93 | 21.36 |
| 110 | 14.30 | 15.58 | 16.95 | 18.36 | 19.76 | 21.09 | 21.71 | 22.29 | 22.83 |
| 120 | -     | 16.24 | 17.74 | 19.31 | 20.88 | 22.41 | 23.13 | 23.82 | 24.47 |
| 130 | -     | -     | 18.65 | 20.39 | 22.15 | 23.88 | 24.72 | 25.53 | 26.30 |
| 140 | -     | -     | -     | 21.61 | 23.58 | 25.54 | 26.50 | 27.43 | 28.33 |
| 150 | -     | -     | -     | -     | 25.17 | 27.38 | 28.46 | 29.53 | 30.58 |

Mass flow in lbs/h

|     |     |     |     |     |     |       |       |       |       |
|-----|-----|-----|-----|-----|-----|-------|-------|-------|-------|
| 90  | 283 | 394 | 524 | 674 | 847 | 1 045 | 1 154 | 1 270 | 1 393 |
| 100 | 261 | 373 | 502 | 651 | 823 | 1 019 | 1 127 | 1 242 | 1 364 |
| 110 | 244 | 354 | 481 | 628 | 797 | 990   | 1 096 | 1 210 | 1 330 |
| 120 | -   | 339 | 463 | 606 | 771 | 960   | 1 064 | 1 175 | 1 292 |
| 130 | -   | -   | 449 | 588 | 747 | 930   | 1 031 | 1 139 | 1 253 |
| 140 | -   | -   | -   | 573 | 726 | 902   | 999   | 1 102 | 1 213 |
| 150 | -   | -   | -   | -   | 709 | 876   | 969   | 1 068 | 1 174 |

Energy Efficiency Ratio (E.E.R.)

|     |      |      |      |       |       |       |       |       |       |
|-----|------|------|------|-------|-------|-------|-------|-------|-------|
| 90  | 6.27 | 7.75 | 9.31 | 11.00 | 12.89 | 15.04 | 16.25 | 17.55 | 18.98 |
| 100 | 5.28 | 6.68 | 8.11 | 9.65  | 11.33 | 13.22 | 14.27 | 15.39 | 16.61 |
| 110 | 4.45 | 5.74 | 7.04 | 8.41  | 9.89  | 11.54 | 12.44 | 13.40 | 14.43 |
| 120 | -    | 4.95 | 6.10 | 7.30  | 8.59  | 10.00 | 10.77 | 11.58 | 12.45 |
| 130 | -    | -    | 5.30 | 6.32  | 7.41  | 8.61  | 9.26  | 9.95  | 10.68 |
| 140 | -    | -    | -    | 5.47  | 6.38  | 7.38  | 7.92  | 8.49  | 9.10  |
| 150 | -    | -    | -    | -     | 5.49  | 6.30  | 6.74  | 7.21  | 7.71  |

Nominal performance at to = 45 °F, tc = 130 °F

|                  |        |       |                     |       |       |
|------------------|--------|-------|---------------------|-------|-------|
| Cooling capacity | 70 167 | Btu/h | Current consumption | 24.72 | A     |
| Power input      | 7 577  | W     | Mass flow           | 1 031 | lbs/h |
| E.E.R.           | 9.26   |       |                     |       |       |

Pressure switch settings

|                           |     |        |
|---------------------------|-----|--------|
| Maximum HP switch setting | 402 | psi(g) |
| Minimum LP switch setting | 3   | psi(g) |
| LP pump down setting      | 13  | psi(g) |

T 0 : Evaporating temperature at dew point

T C : Condensing temperature at dew point

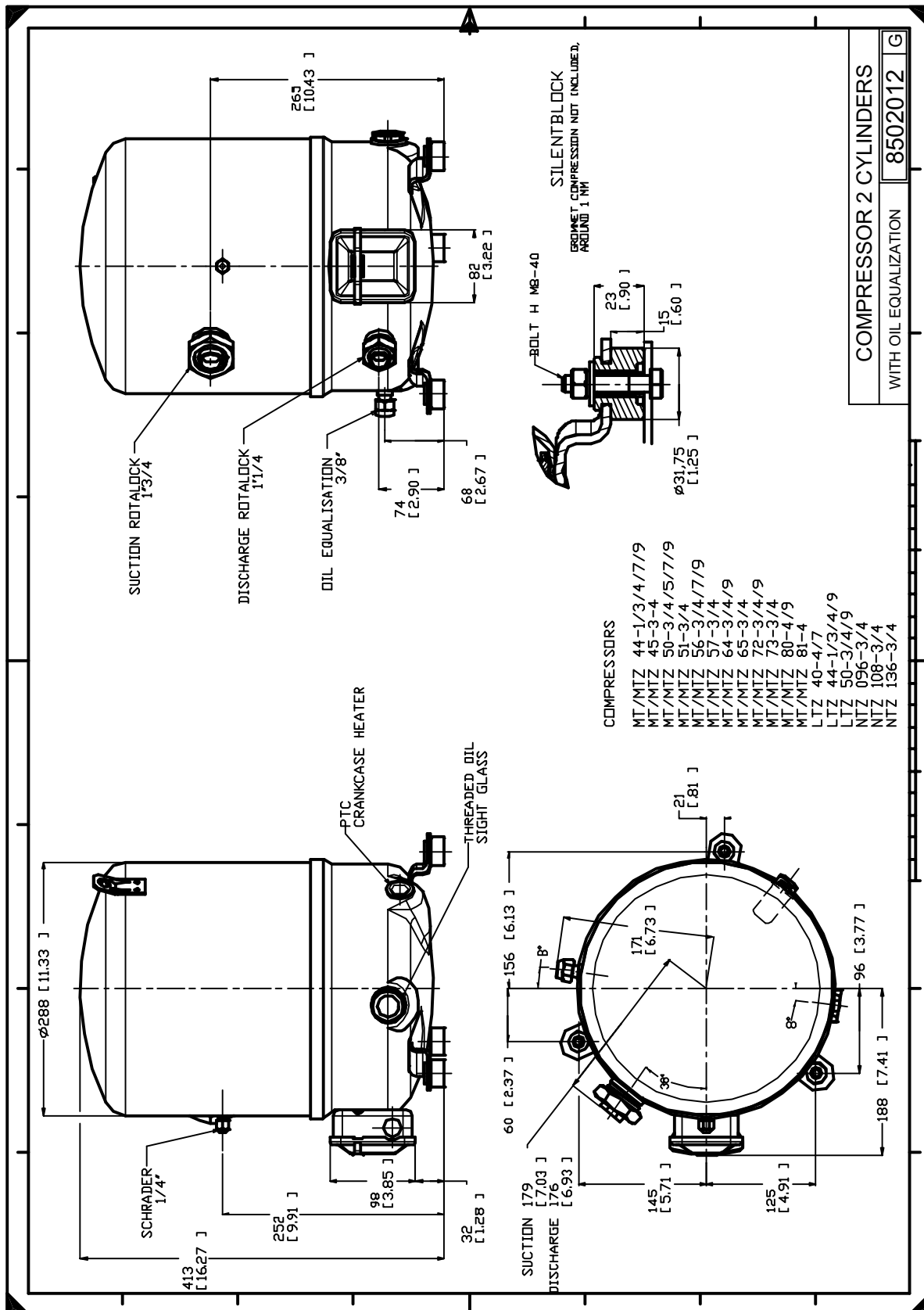
Rating conditions : Superheat = 20 °F , Subcooling = 15 °F

All performance data +/- 5%

Sound power data

|                    |   |       |
|--------------------|---|-------|
| Sound power level  | 0 | dB(A) |
| With acoustic hood | 0 | dB(A) |

Danfoss can accept no responsibility for possible errors in catalogues, brochures and other printed material. Danfoss reserves the right to alter its products without notice. This also applies to products already on order provided that such alternations can be made without subsequential changes being necessary in specifications already agreed. All trademarks in this material are property of the respective companies. Danfoss, the Danfoss logotype and Maneurop are trademarks of Danfoss A/S. All rights reserved.



Danfoss can accept no responsibility for possible errors in catalogues, brochures and other printed material. Danfoss reserves the right to alter its products without notice. This also applies to products already on order provided that such alternations can be made without subsequential changes being necessary in specifications already agreed. All trademarks in this material are property of the respective companies. Danfoss, the Danfoss logotype and Maneurop are trademarks of Danfoss A/S. All rights reserved.