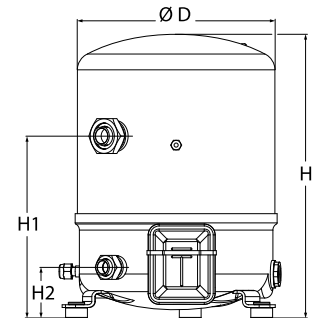


General Characteristics

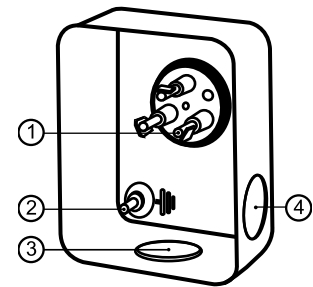
Model number (on compressor nameplate)		MT64HM3DVE
Code number for Singlepack*		MT64-3VI
Code number for Industrial pack**		MT64-3VM
Drawing number		8502012g
Suction and discharge connections		Rotolock
Suction connection		1-3/4 " Rotolock
Discharge connection		1-1/4 " Rotolock
Suction connection with supplied sleeve		7/8 " ODF
Discharge connection with supplied sleeve		3/4 " ODF
Oil sight glass		Threaded
Oil equalization connection		3/8" flare SAE
Oil drain connection		None
LP gauge port		Schrader
IPR valve		435 psi / 115 psi
Cylinders		2
Swept volume		6.57 in ³ /rev
Displacement @ Nominal speed		799 cfh @ 3500 rpm
Net weight		82 lbs
Oil charge		61 oz, Mineral - 160P
Maximum system test pressure Low Side / High side		363 psi / 435 psi
Maximum differential test pressure		435 psi
Maximum number of starts per hour		12
Refrigerant charge limit		11 lbs
Approved refrigerants		R22, R417A-160PZ

Dimensions



D=11.3 inch, H=16.3 inch,
H1=10.4 inch, H2=2.9 inch

Terminal box



IP55 (with cable gland)

- 1: Spade connectors 1/4"
- 2: Earth M4-12
- 3: Knock-out Ø 21 mm (0.83")
- 4: Hole Ø 21 mm (0.83")

Electrical Characteristics

Nominal voltage	200-230V/3/60Hz
Voltage range	180-253 V
Winding resistance (between phases) +/- 7% at 77°F	0.57 Ω
Maximum Continuous Current (MCC)	29 A
Locked Rotor Amps (LRA)	137 A
Motor protection	Internal overload protector

Recommended Installation torques

Oil sight glass	37 ft.lbs
Power connections / Earth connection	ft.lbs / 1 ft.lbs
Mounting bolts	11 ft.lbs

Parts shipped with compressor

Mounting kit with grommets, bolts, nuts, sleeves and washers
Suction & Discharge solder sleeves, rotolock nuts and gaskets (shipped with rotolock version only)
Initial oil charge
Installation instructions

Approvals : CE certified, UL certified (file SA6873), -

*Singlepack: Compressor in cardboard box

**Industrial pack: 6 Unboxed compressors on pallet (order per multiples of 6)

Rotolock accessories, suction side
Code no.

Solder sleeve, P07 (1-3/4" Rotolock, 7/8" ODF)	8153013
Angle adapter, C07 (1-3/4" Rotolock, 7/8" ODF)	8168008
Rotolock valve, V07 (1-3/4" Rotolock, 7/8" ODF)	8168032
Gasket, 1-3/4"	8156132

Rotolock accessories, discharge side
Code no.

Solder sleeve, P04 (1-1/4" Rotolock, 3/4" ODF)	8153008
Angle adapter, C04 (1-1/4" Rotolock, 3/4" ODF)	8168006
Rotolock valve, V04 (1-1/4" Rotolock, 3/4" ODF)	8168029
Gasket, 1-1/4"	8156131

Rotolock accessories, sets
Code no.

Angle adapter set, C07 (1-3/4"~7/8"), C04 (1-1/4"~3/4")	7703013
Valve set, V07 (1-3/4"~7/8"), V04 (1-1/4"~3/4")	7703006
Gasket set, 1", 1-1/4", 1-3/4", OSG gaskets black & white	8156009

Oil / lubricants
Code no.

Mineral oil, 160P, 2 liter can	7754001
Mineral oil, 160P, 5 liter can	7754002

Crankcase heaters
Code no.

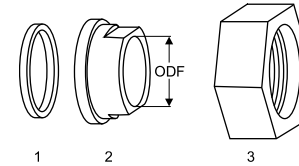
PTC heater 27W	120Z0459
Belt type crankcase heater, 65 W, 110 V, CE mark, UL	7773109
Belt type crankcase heater, 65 W, 230 V, CE mark, UL	7773107

Miscellaneous accessories
Code no.

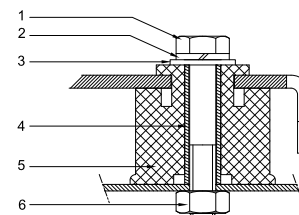
Acoustic hood for 2 cylinder compressor	7755002
Oil equalisation nut	8153127

Spare parts
Code no.

Mounting kit for 1 and 2 cylinder compressor, including 3 grommets, 3 bolts	8156001
Oil sight glass with gaskets (black & white)	8156019
Gasket for oil sight glass (black chloroprene)	8156145
Service kit for terminal box 80 x 96 mm, including 1 cover, 1 clamp	8156134

Gaskets, sleeves and nuts


- 1: Gasket
- 2: Solder sleeve
- 3: Rotolock nut

Mounting kit


- 1: Bolt (3x)
- 2: Lock washer (3x)
- 3: Flat washer (3x)
- 4: Sleeve (3x)
- 5: Grommet (3x)
- 6: Nut (3x)

Performance data at 60 Hz, ARI rating conditions

R22

Cond. temp. in °F (tc)	Evaporating temperature in °F (to)								
	-10	0	10	20	30	40	45	50	55

Cooling capacity in Btu/h

90	19 152	26 901	36 324	47 650	61 106	76 921	85 783	95 321	105 562
100	16 948	24 371	33 374	44 186	57 033	72 146	80 622	89 750	99 559
110	15 001	22 035	30 555	40 791	52 968	67 317	75 376	84 064	93 408
120	-	19 943	27 919	37 516	48 962	62 484	70 095	78 311	87 160
130	-	-	25 514	34 411	45 062	57 697	64 829	72 542	80 865
140	-	-	-	31 525	41 320	53 005	59 626	66 806	74 572
150	-	-	-	-	37 785	48 458	54 538	61 153	68 331

Power input in W

90	2 863	3 375	3 850	4 262	4 588	4 804	4 863	4 885	4 867
100	3 066	3 611	4 128	4 593	4 981	5 268	5 365	5 429	5 455
110	3 225	3 810	4 376	4 900	5 356	5 721	5 861	5 969	6 042
120	-	3 966	4 588	5 177	5 707	6 156	6 342	6 498	6 622
130	-	-	4 756	5 416	6 028	6 568	6 803	7 010	7 187
140	-	-	-	5 612	6 312	6 948	7 235	7 497	7 732
150	-	-	-	-	6 551	7 291	7 634	7 953	8 248

Current consumption in A

90	12.33	13.21	14.13	15.01	15.76	16.27	16.41	16.46	16.40
100	12.69	13.66	14.71	15.74	16.66	17.39	17.65	17.82	17.90
110	12.98	14.06	15.25	16.46	17.59	18.54	18.93	19.24	19.46
120	-	14.39	15.74	17.14	18.49	19.70	20.23	20.68	21.05
130	-	-	16.15	17.77	19.36	20.85	21.52	22.13	22.66
140	-	-	-	18.30	20.16	21.94	22.77	23.55	24.26
150	-	-	-	-	20.87	22.97	23.97	24.92	25.81

Mass flow in lbs/h

90	255	354	472	610	771	959	1 063	1 175	1 294
100	235	334	451	589	750	936	1 040	1 151	1 270
110	218	315	431	567	726	910	1 013	1 123	1 241
120	-	299	412	545	701	882	984	1 092	1 208
130	-	-	395	524	676	854	952	1 059	1 172
140	-	-	-	506	653	825	921	1 025	1 136
150	-	-	-	-	632	798	891	991	1 098

Energy Efficiency Ratio (E.E.R.)

90	6.69	7.97	9.44	11.18	13.32	16.01	17.64	19.51	21.69
100	5.53	6.75	8.08	9.62	11.45	13.70	15.03	16.53	18.25
110	4.65	5.78	6.98	8.33	9.89	11.77	12.86	14.08	15.46
120	-	5.03	6.09	7.25	8.58	10.15	11.05	12.05	13.16
130	-	-	5.36	6.35	7.47	8.78	9.53	10.35	11.25
140	-	-	-	5.62	6.55	7.63	8.24	8.91	9.65
150	-	-	-	-	5.77	6.65	7.14	7.69	8.28

Nominal performance at to = 45 °F, tc = 130 °F

Cooling capacity	64 829	Btu/h	Current consumption	21.52	A
Power input	6 803	W	Mass flow	952	lbs/h
E.E.R.	9.53				

Pressure switch settings

Maximum HP switch setting	402	psi(g)
Minimum LP switch setting	3	psi(g)
LP pump down setting	13	psi(g)

T 0 : Evaporating temperature at dew point

T C : Condensing temperature at dew point

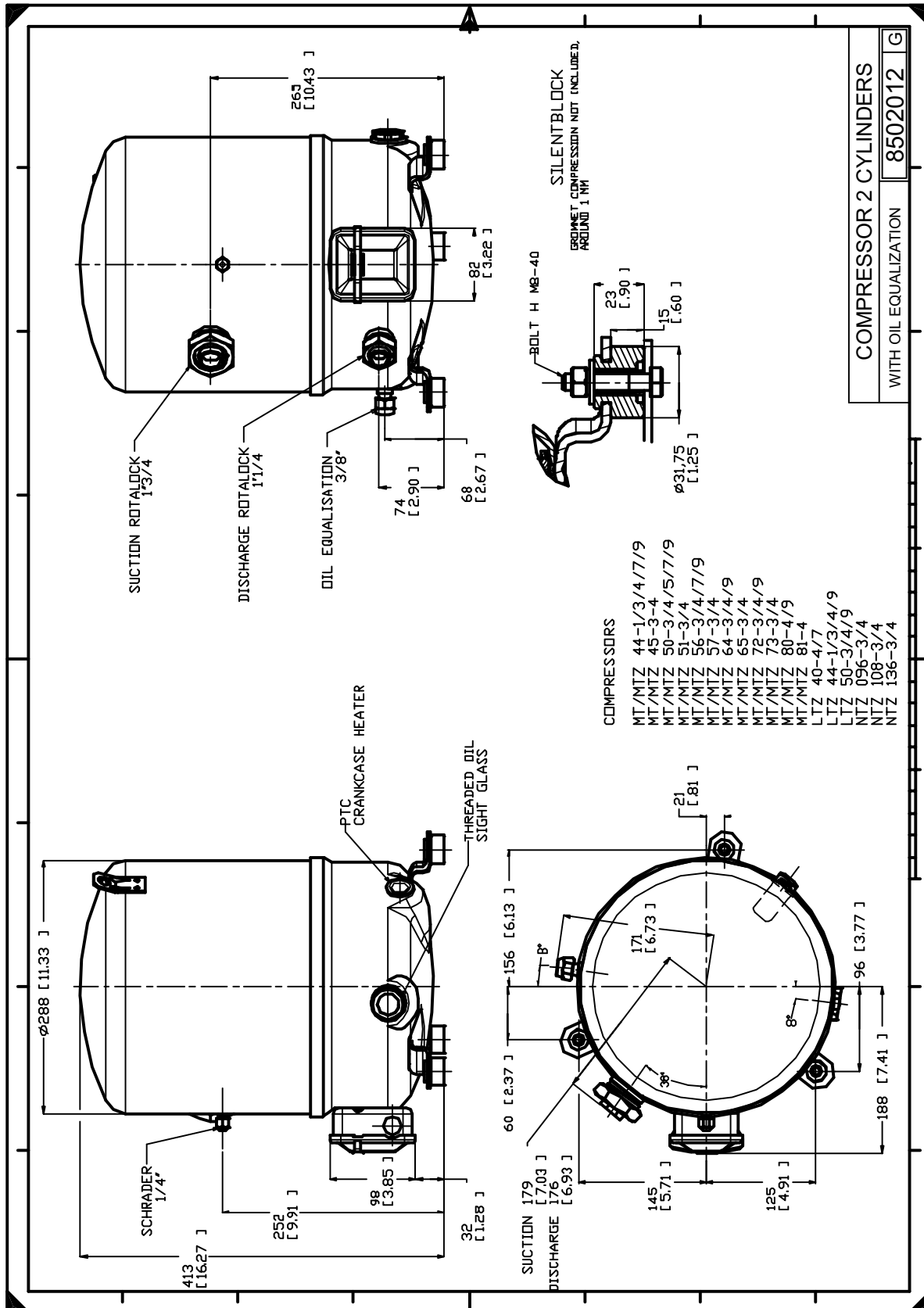
Rating conditions : Superheat = 20 °F , Subcooling = 15 °F

All performance data +/- 5%

Sound power data

Sound power level	0	dB(A)
With acoustic hood	0	dB(A)

Danfoss can accept no responsibility for possible errors in catalogues, brochures and other printed material. Danfoss reserves the right to alter its products without notice. This also applies to products already on order provided that such alternations can be made without subsequential changes being necessary in specifications already agreed. All trademarks in this material are property of the respective companies. Danfoss, the Danfoss logotype and Maneurop are trademarks of Danfoss A/S. All rights reserved.



Danfoss can accept no responsibility for possible errors in catalogues, brochures and other printed material. Danfoss reserves the right to alter its products without notice. This also applies to products already on order provided that such alternations can be made without subsequential changes being necessary in specifications already agreed. All trademarks in this material are property of the respective companies. Danfoss, the Danfoss logotype and Maneurop are trademarks of Danfoss A/S. All rights reserved.