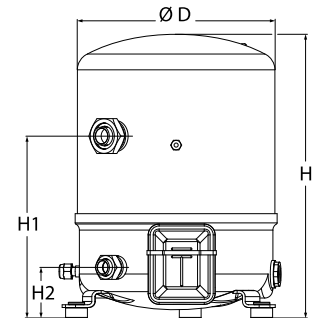


General Characteristics

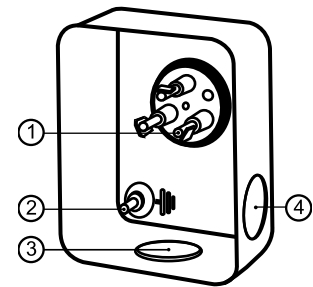
Model number (on compressor nameplate)		MT56HL4AVE
Code number for Singlepack*		MT56-4VI
Code number for Industrial pack**		MT56-4VM
Drawing number		8502012g
Suction and discharge connections		Rotolock
Suction connection		1-3/4 " Rotolock
Discharge connection		1-1/4 " Rotolock
Suction connection with supplied sleeve		7/8 " ODF
Discharge connection with supplied sleeve		3/4 " ODF
Oil sight glass		Threaded
Oil equalization connection		3/8" flare SAE
Oil drain connection		None
LP gauge port		Schrader
IPR valve		435 psi / 115 psi
Cylinders		2
Swept volume		5.87 in3/rev
Displacement @ Nominal speed		591 cfh @ 2900 rpm - 713 cfh @ 3500 rpm
Net weight		82 lbs
Oil charge		61 oz, Mineral - 160P
Maximum system test pressure Low Side / High side		363 psi / 435 psi
Maximum differential test pressure		435 psi
Maximum number of starts per hour		12
Refrigerant charge limit		11 lbs
Approved refrigerants		R22, R417A-160PZ

Dimensions



D=11.3 inch, H=16.3 inch,
H1=10.4 inch, H2=2.9 inch

Terminal box



IP55 (with cable gland)

- 1: Spade connectors 1/4"
- 2: Earth M4-12
- 3: Knock-out Ø 21 mm (0.83")
- 4: Hole Ø 21 mm (0.83")

Electrical Characteristics

Nominal voltage	380-400V/3/50Hz - 460V/3/60Hz
Voltage range	340-440 V @ 50Hz - 414-506 V @ 60Hz
Winding resistance (between phases) +/- 7% at 77°F	2.41 Ω
Maximum Continuous Current (MCC)	12 A
Locked Rotor Amps (LRA)	60 A
Motor protection	Internal overload protector

Recommended Installation torques

Oil sight glass	37 ft.lbs
Power connections / Earth connection	ft.lbs / 1 ft.lbs
Mounting bolts	11 ft.lbs

Parts shipped with compressor

Mounting kit with grommets, bolts, nuts, sleeves and washers
Suction & Discharge solder sleeves, rotolock nuts and gaskets (shipped with rotolock version only)
Initial oil charge
Installation instructions

Approvals : CE certified, UL certified (file SA6873), CCC certified

*Singlepack: Compressor in cardboard box

**Industrial pack: 6 Unboxed compressors on pallet (order per multiples of 6)

Rotolock accessories, suction side
Code no.

Solder sleeve, P07 (1-3/4" Rotolock, 7/8" ODF)	8153013
Angle adapter, C07 (1-3/4" Rotolock, 7/8" ODF)	8168008
Rotolock valve, V07 (1-3/4" Rotolock, 7/8" ODF)	8168032
Gasket, 1-3/4"	8156132

Rotolock accessories, discharge side
Code no.

Solder sleeve, P04 (1-1/4" Rotolock, 3/4" ODF)	8153008
Angle adapter, C04 (1-1/4" Rotolock, 3/4" ODF)	8168006
Rotolock valve, V04 (1-1/4" Rotolock, 3/4" ODF)	8168029
Gasket, 1-1/4"	8156131

Rotolock accessories, sets
Code no.

Angle adapter set, C07 (1-3/4"~7/8"), C04 (1-1/4"~3/4")	7703013
Valve set, V07 (1-3/4"~7/8"), V04 (1-1/4"~3/4")	7703006
Gasket set, 1", 1-1/4", 1-3/4", OSG gaskets black & white	8156009

Oil / lubricants
Code no.

Mineral oil, 160P, 2 liter can	7754001
Mineral oil, 160P, 5 liter can	7754002

Crankcase heaters
Code no.

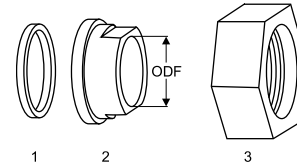
PTC heater 27W	120Z0459
Belt type crankcase heater, 65 W, 230 V, CE mark, UL	7773107
Belt type crankcase heater, 65 W, 400 V, CE mark, UL	7773117
Belt type crankcase heater, 65 W, 460 V, CE mark, UL	120Z0466

Miscellaneous accessories
Code no.

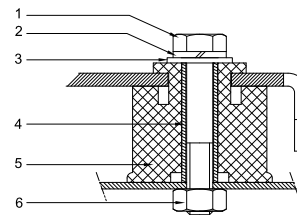
Electronic soft start kit, MCI 15 C	7705006
Acoustic hood for 2 cylinder compressor	7755002
Oil equalisation nut	8153127

Spare parts
Code no.

Mounting kit for 1 and 2 cylinder compressor, including 3 grommets, 3 bolts	8156001
Oil sight glass with gaskets (black & white)	8156019
Gasket for oil sight glass (black chloroprene)	8156145
Service kit for terminal box 80 x 96 mm, including 1 cover, 1 clamp	8156134

Gaskets, sleeves and nuts


- 1: Gasket
- 2: Solder sleeve
- 3: Rotolock nut

Mounting kit


- 1: Bolt (3x)
- 2: Lock washer (3x)
- 3: Flat washer (3x)
- 4: Sleeve (3x)
- 5: Grommet (3x)
- 6: Nut (3x)

Performance data at 60 Hz, ARI rating conditions

R22

Cond. temp. in °F (tc)	Evaporating temperature in °F (to)							
	-10	0	10	20	30	40	45	50

Cooling capacity in Btu/h

90	16 835	23 913	32 335	42 256	53 832	67 220	74 642	82 576	91 041
100	14 961	21 776	29 858	39 364	50 450	63 272	70 383	77 987	86 103
110	13 155	19 655	27 348	36 389	46 934	59 141	65 916	73 165	80 907
120	-	17 570	24 823	33 349	43 304	54 845	61 258	68 127	75 470
130	-	-	22 298	30 259	39 574	50 399	56 427	62 890	69 810
140	-	-	-	27 138	35 762	45 821	51 438	57 471	63 942
150	-	-	-	-	31 885	41 128	46 308	51 887	57 883

Power input in W

90	2 576	3 038	3 449	3 782	4 012	4 111	4 103	4 053	3 958
100	2 704	3 205	3 665	4 059	4 360	4 542	4 580	4 578	4 533
110	2 801	3 348	3 865	4 328	4 708	4 980	5 067	5 117	5 127
120	-	3 463	4 045	4 583	5 050	5 420	5 560	5 665	5 734
130	-	-	4 201	4 822	5 383	5 858	6 054	6 220	6 350
140	-	-	-	5 039	5 702	6 290	6 547	6 775	6 972
150	-	-	-	-	6 004	6 711	7 033	7 328	7 594

Current consumption in A

90	4.31	4.50	4.95	5.48	5.96	6.21	6.20	6.08	5.83
100	4.35	4.70	5.30	6.01	6.66	7.09	7.19	7.16	7.01
110	4.45	4.95	5.71	6.59	7.42	8.05	8.24	8.32	8.27
120	-	5.18	6.12	7.17	8.18	9.00	9.29	9.47	9.53
130	-	-	6.44	7.67	8.87	9.89	10.28	10.56	10.72
140	-	-	-	8.03	9.42	10.64	11.13	11.52	11.79
150	-	-	-	-	9.77	11.19	11.79	12.28	12.66

Mass flow in lbs/h

90	225	316	420	541	680	839	926	1 019	1 117
100	208	299	404	524	663	821	908	1 000	1 098
110	191	281	385	505	643	800	886	977	1 074
120	-	263	366	484	620	775	859	950	1 046
130	-	-	345	461	594	746	829	918	1 012
140	-	-	-	436	565	713	795	882	974
150	-	-	-	-	533	677	756	840	930

Energy Efficiency Ratio (E.E.R.)

90	6.54	7.87	9.38	11.17	13.42	16.35	18.19	20.37	23.00
100	5.53	6.79	8.15	9.70	11.57	13.93	15.37	17.03	18.99
110	4.70	5.87	7.08	8.41	9.97	11.88	13.01	14.30	15.78
120	-	5.07	6.14	7.28	8.58	10.12	11.02	12.03	13.16
130	-	-	5.31	6.28	7.35	8.60	9.32	10.11	10.99
140	-	-	-	5.39	6.27	7.29	7.86	8.48	9.17
150	-	-	-	-	5.31	6.13	6.58	7.08	7.62

Nominal performance at to = 45 °F, tc = 130 °F

Cooling capacity	56 427	Btu/h	Current consumption	10.28	A
Power input	6 054	W	Mass flow	829	lbs/h
E.E.R.	9.32				

Pressure switch settings

Maximum HP switch setting	402	psi(g)
Minimum LP switch setting	3	psi(g)
LP pump down setting	13	psi(g)

T 0 : Evaporating temperature at dew point

T C : Condensing temperature at dew point

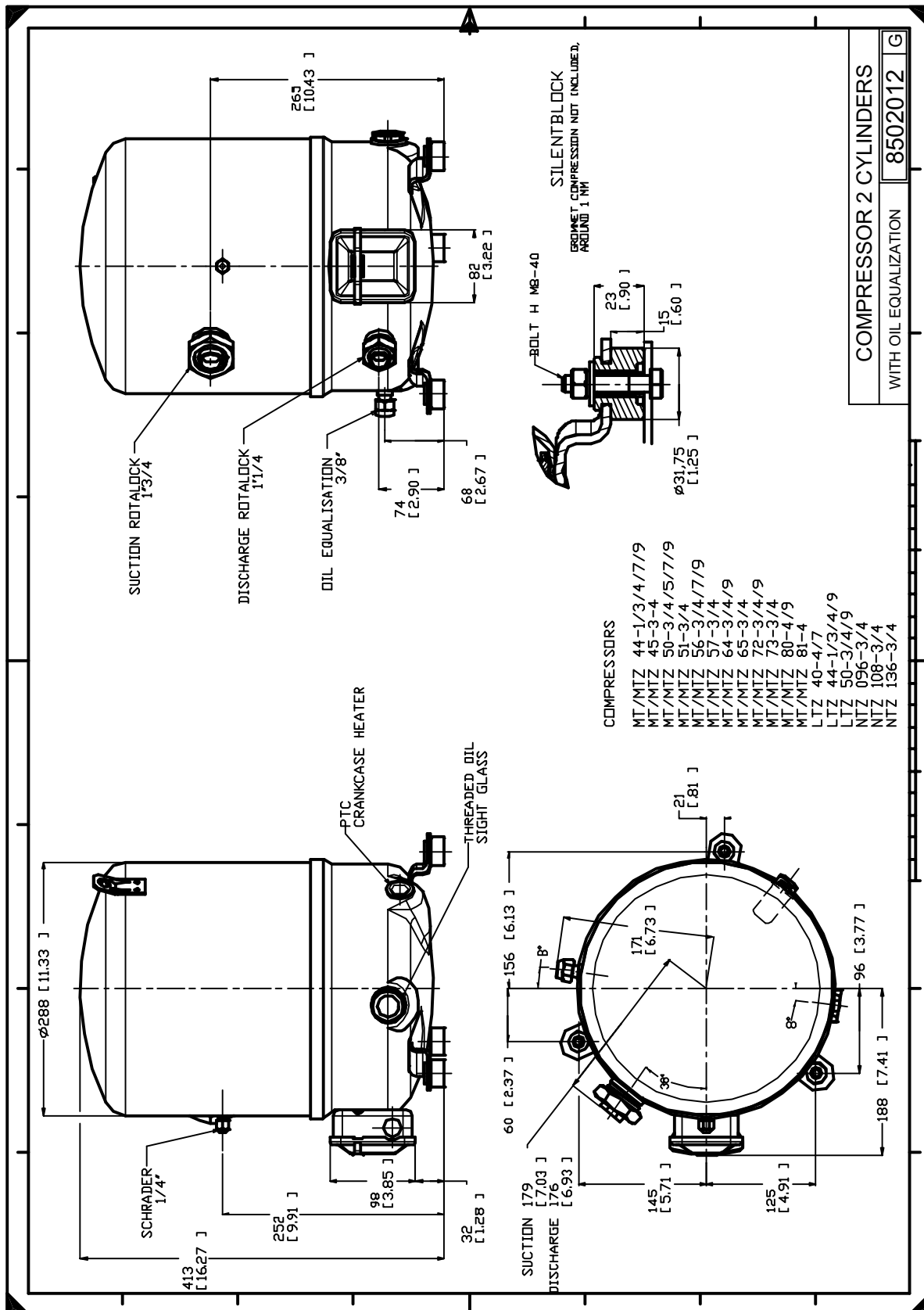
Rating conditions : Superheat = 20 °F , Subcooling = 15 °F

All performance data +/- 5%

Sound power data

Sound power level	0	dB(A)
With acoustic hood	0	dB(A)

Danfoss can accept no responsibility for possible errors in catalogues, brochures and other printed material. Danfoss reserves the right to alter its products without notice. This also applies to products already on order provided that such alternations can be made without subsequential changes being necessary in specifications already agreed. All trademarks in this material are property of the respective companies. Danfoss, the Danfoss logotype and Maneurop are trademarks of Danfoss A/S. All rights reserved.



Danfoss can accept no responsibility for possible errors in catalogues, brochures and other printed material. Danfoss reserves the right to alter its products without notice. This also applies to products already on order provided that such alternations can be made without subsequential changes being necessary in specifications already agreed. All trademarks in this material are property of the respective companies. Danfoss, the Danfoss logotype and Maneurop are trademarks of Danfoss A/S. All rights reserved.