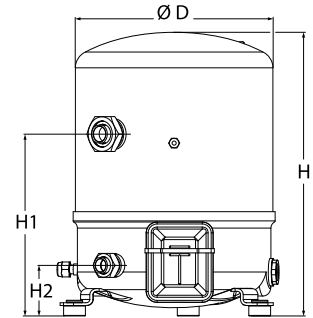


General Characteristics

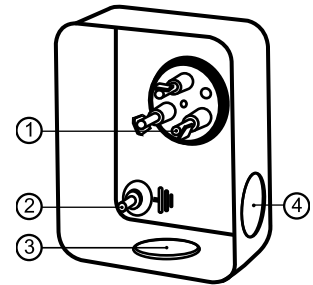
Model number (on compressor nameplate)		MT50HK3CVE
Code number for Singlepack*		MT50-3VI
Code number for Industrial pack**		MT50-3VM
Drawing number		8502012g
Suction and discharge connections		Rotolock
Suction connection		1-3/4 " Rotolock
Discharge connection		1-1/4 " Rotolock
Suction connection with supplied sleeve		7/8 " ODF
Discharge connection with supplied sleeve		3/4 " ODF
Oil sight glass		Threaded
Oil equalization connection		3/8" flare SAE
Oil drain connection		None
LP gauge port		Schrader
IPR valve		435 psi / 115 psi
Cylinders		2
Swept volume		5.23 in3/rev
Displacement @ Nominal speed		635 cfh @ 3500 rpm
Net weight		77 lbs
Oil charge		61 oz, Mineral - 160P
Maximum system test pressure Low Side / High side		363 psi / 435 psi
Maximum differential test pressure		435 psi
Maximum number of starts per hour		12
Refrigerant charge limit		11 lbs
Approved refrigerants		R22, R417A-160PZ

Dimensions



D=11.3 inch, H=16.3 inch,
H1=10.4 inch, H2=2.9 inch

Terminal box



IP55 (with cable gland)

- 1: Spade connectors 1/4"
- 2: Earth M4-12
- 3: Knock-out Ø 21 mm (0.83")
- 4: Hole Ø 21 mm (0.83")

Electrical Characteristics

Nominal voltage		200-230V/3/60Hz
Voltage range		180-253 V
Winding resistance (between phases) +/- 7% at 77°F		0.72 Ω
Maximum Continuous Current (MCC)		25 A
Locked Rotor Amps (LRA)		115 A
Motor protection		Internal overload protector

Recommended Installation torques

Oil sight glass		37 ft.lbs
Power connections / Earth connection		ft.lbs / 1 ft.lbs
Mounting bolts		11 ft.lbs

Parts shipped with compressor

Mounting kit with grommets, bolts, nuts, sleeves and washers
Suction & Discharge solder sleeves, rotolock nuts and gaskets (shipped with rotolock version only)
Initial oil charge
Installation instructions

Approvals : CE certified, UL certified (file SA6873), -

*Singlepack: Compressor in cardboard box

**Industrial pack: 6 Unboxed compressors on pallet (order per multiples of 6)

Rotolock accessories, suction side
Code no.

Solder sleeve, P07 (1-3/4" Rotolock, 7/8" ODF)	8153013
Angle adapter, C07 (1-3/4" Rotolock, 7/8" ODF)	8168008
Rotolock valve, V07 (1-3/4" Rotolock, 7/8" ODF)	8168032
Gasket, 1-3/4"	8156132

Rotolock accessories, discharge side
Code no.

Solder sleeve, P04 (1-1/4" Rotolock, 3/4" ODF)	8153008
Angle adapter, C04 (1-1/4" Rotolock, 3/4" ODF)	8168006
Rotolock valve, V04 (1-1/4" Rotolock, 3/4" ODF)	8168029
Gasket, 1-1/4"	8156131

Rotolock accessories, sets
Code no.

Angle adapter set, C07 (1-3/4"~7/8"), C04 (1-1/4"~3/4")	7703013
Valve set, V07 (1-3/4"~7/8"), V04 (1-1/4"~3/4")	7703006
Gasket set, 1", 1-1/4", 1-3/4", OSG gaskets black & white	8156009

Oil / lubricants
Code no.

Mineral oil, 160P, 2 liter can	7754001
Mineral oil, 160P, 5 liter can	7754002

Crankcase heaters
Code no.

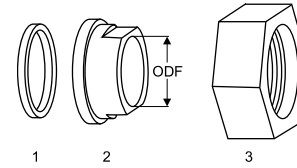
PTC heater 27W	120Z0459
Belt type crankcase heater, 65 W, 110 V, CE mark, UL	7773109
Belt type crankcase heater, 65 W, 230 V, CE mark, UL	7773107

Miscellaneous accessories
Code no.

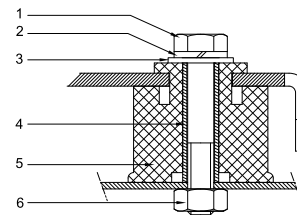
Acoustic hood for 2 cylinder compressor	7755002
Oil equalisation nut	8153127

Spare parts
Code no.

Mounting kit for 1 and 2 cylinder compressor, including 3 grommets, 3 bolts	8156001
Oil sight glass with gaskets (black & white)	8156019
Gasket for oil sight glass (black chloroprene)	8156145
Service kit for terminal box 80 x 96 mm, including 1 cover, 1 clamp	8156134

Gaskets, sleeves and nuts


- 1: Gasket
- 2: Solder sleeve
- 3: Rotolock nut

Mounting kit


- 1: Bolt (3x)
- 2: Lock washer (3x)
- 3: Flat washer (3x)
- 4: Sleeve (3x)
- 5: Grommet (3x)
- 6: Nut (3x)

Performance data at 60 Hz, ARI rating conditions

R22

Cond. temp. in °F (tc)	Evaporating temperature in °F (to)							
	-10	0	10	20	30	40	45	50

Cooling capacity in Btu/h

90	15 640	21 049	27 910	36 467	46 963	59 639	66 871	74 740	83 275
100	13 912	19 092	25 658	33 853	43 920	56 101	63 061	70 640	78 870
110	12 228	17 135	23 362	31 151	40 745	52 388	59 053	66 322	74 223
120	-	15 191	21 035	28 375	37 453	48 514	54 863	61 798	69 350
130	-	-	18 692	25 539	34 058	44 492	50 503	57 083	64 264
140	-	-	-	22 657	30 572	40 336	45 987	52 191	58 979
150	-	-	-	-	27 010	36 061	41 330	47 136	53 509

Power input in W

90	2 183	2 566	2 936	3 280	3 582	3 830	3 928	4 008	4 066
100	2 340	2 741	3 134	3 507	3 843	4 129	4 249	4 351	4 433
110	2 475	2 898	3 318	3 722	4 096	4 425	4 568	4 694	4 802
120	-	3 033	3 484	3 924	4 338	4 713	4 881	5 033	5 169
130	-	-	3 627	4 106	4 565	4 989	5 184	5 365	5 530
140	-	-	-	4 266	4 773	5 250	5 473	5 684	5 880
150	-	-	-	-	4 958	5 492	5 745	5 987	6 216

Current consumption in A

90	8.84	9.10	9.67	10.43	11.25	12.03	12.36	12.63	12.83
100	8.97	9.34	10.07	11.02	12.10	13.16	13.65	14.10	14.48
110	9.15	9.64	10.54	11.71	13.05	14.42	15.08	15.71	16.29
120	-	9.94	11.03	12.44	14.05	15.75	16.59	17.41	18.19
130	-	-	11.47	13.13	15.04	17.09	18.12	19.14	20.13
140	-	-	-	13.75	15.97	18.38	19.60	20.83	22.04
150	-	-	-	-	16.78	19.56	21.00	22.44	23.88

Mass flow in lbs/h

90	208	277	363	467	593	744	829	922	1 021
100	193	262	347	451	577	728	813	906	1 006
110	178	245	329	433	558	708	793	886	986
120	-	228	310	412	536	685	770	862	961
130	-	-	289	389	511	658	742	833	932
140	-	-	-	364	483	628	710	800	898
150	-	-	-	-	452	594	675	763	860

Energy Efficiency Ratio (E.E.R.)

90	7.16	8.20	9.50	11.12	13.11	15.57	17.02	18.65	20.48
100	5.95	6.97	8.19	9.65	11.43	13.59	14.84	16.24	17.79
110	4.94	5.91	7.04	8.37	9.95	11.84	12.93	14.13	15.46
120	-	5.01	6.04	7.23	8.63	10.29	11.24	12.28	13.42
130	-	-	5.15	6.22	7.46	8.92	9.74	10.64	11.62
140	-	-	-	5.31	6.41	7.68	8.40	9.18	10.03
150	-	-	-	-	5.45	6.57	7.19	7.87	8.61

Nominal performance at to = 45 °F, tc = 130 °F

Cooling capacity	50 503	Btu/h	Current consumption	18.12	A
Power input	5 184	W	Mass flow	742	lbs/h
E.E.R.	9.74				

Pressure switch settings

Maximum HP switch setting	402	psi(g)
Minimum LP switch setting	3	psi(g)
LP pump down setting	13	psi(g)

T 0 : Evaporating temperature at dew point

T C : Condensing temperature at dew point

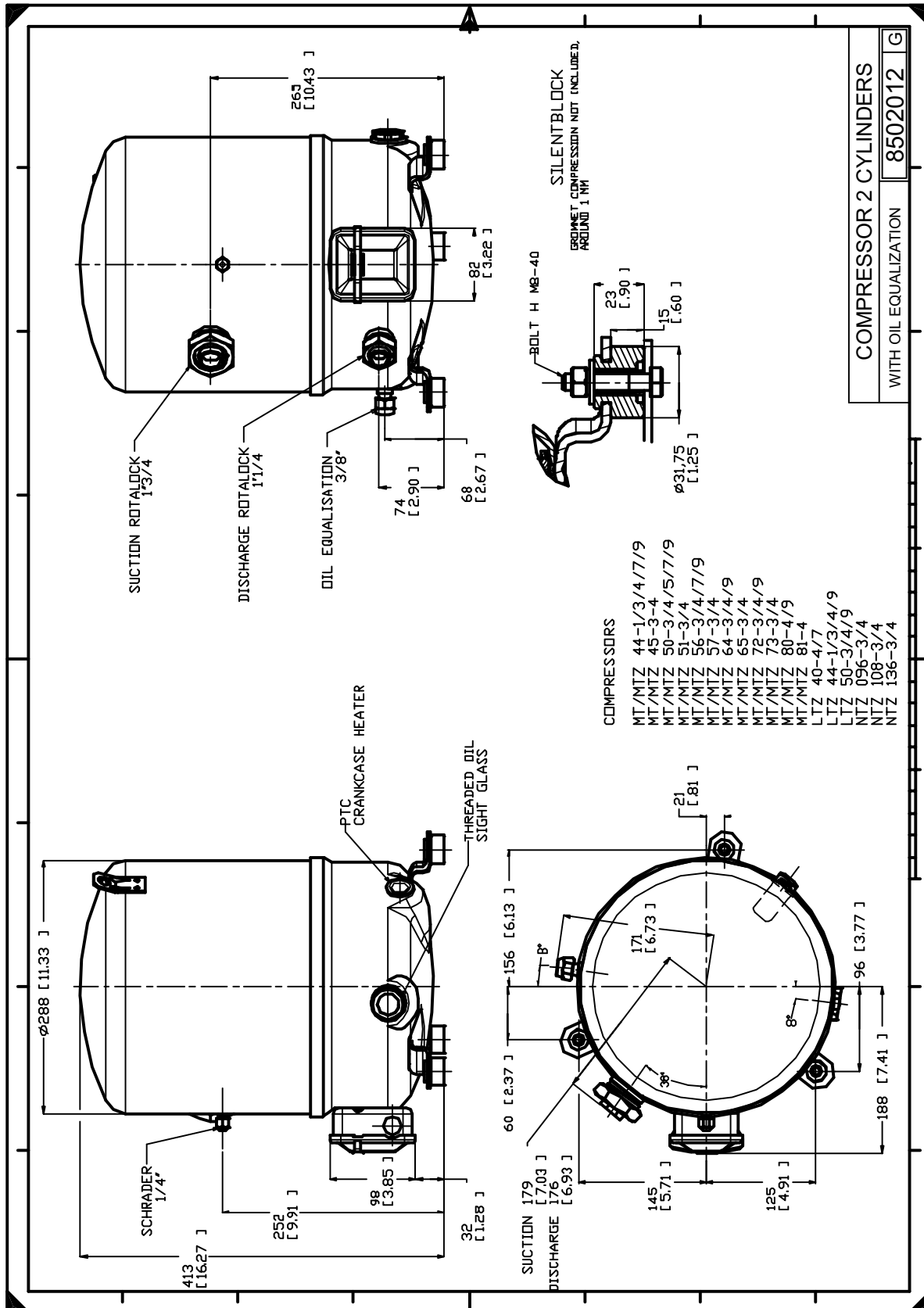
Rating conditions : Superheat = 20 °F , Subcooling = 15 °F

All performance data +/- 5%

Sound power data

Sound power level	0	dB(A)
With acoustic hood	0	dB(A)

Danfoss can accept no responsibility for possible errors in catalogues, brochures and other printed material. Danfoss reserves the right to alter its products without notice. This also applies to products already on order provided that such alternations can be made without subsequential changes being necessary in specifications already agreed. All trademarks in this material are property of the respective companies. Danfoss, the Danfoss logotype and Maneurop are trademarks of Danfoss A/S. All rights reserved.



Danfoss can accept no responsibility for possible errors in catalogues, brochures and other printed material. Danfoss reserves the right to alter its products without notice. This also applies to products already on order provided that such alternations can be made without subsequential changes being necessary in specifications already agreed. All trademarks in this material are property of the respective companies. Danfoss, the Danfoss logotype and Maneurop are trademarks of Danfoss A/S. All rights reserved.