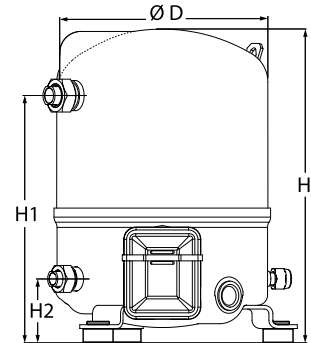


General Characteristics

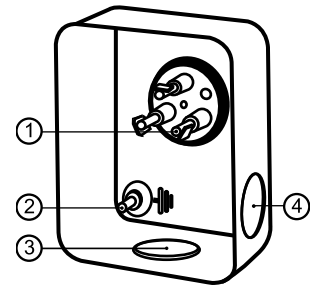
Model number (on compressor nameplate)		MT40JH1NVE
Code number for Singlepack*		MT40-1VI
Code number for Industrial pack**		MT40-1VM
Drawing number		8501020e
Suction and discharge connections		Rotolock
Suction connection		1-1/4" Rotolock
Discharge connection		1" Rotolock
Suction connection with supplied sleeve		5/8" ODF
Discharge connection with supplied sleeve		1/2" ODF
Oil sight glass		Threaded
Oil equalization connection		3/8" flare SAE
Oil drain connection		None
LP gauge port		Schrader
IPR valve		435 psi / 115 psi
Cylinders		1
Swept volume		4.14 in ³ /rev
Displacement @ Nominal speed		503 cfh @ 3500 rpm
Net weight		57 lbs
Oil charge		32 oz, Mineral - 160P
Maximum system test pressure Low Side / High side		363 psi / 435 psi
Maximum differential test pressure		435 psi
Maximum number of starts per hour		12
Refrigerant charge limit		6 lbs
Approved refrigerants		R22, R417A-160PZ

Dimensions



D=8.8 inch, H=14 inch,
H1=10.4 inch, H2=2.7 inch

Terminal box



IP55 (with cable gland)
1: Spade connectors 1/4"
2: Earth M4-12
3: Knock-out Ø 21 mm (0.83")
4: Hole Ø 21 mm (0.83")

Electrical Characteristics

Nominal voltage	208-230V/1/60Hz
Voltage range	187-253 V
Winding resistance (main / start) at 25°C	0,53 Ω / 2 Ω
Run capacitors A + C	35 uF + 20 uF
Start capacitor B	100 uF
Start relay	RVA-6AMKL
Maximum Continuous Current (MCC)	34 A
Locked Rotor Amps (LRA)	99 A
Motor protection	Internal overload protector

Recommended Installation torques

Oil sight glass	37 ft.lbs
Power connections / Earth connection	ft.lbs / 1 ft.lbs
Mounting bolts	11 ft.lbs

Parts shipped with compressor

Mounting kit with grommets, bolts, nuts, sleeves and washers
Suction & Discharge solder sleeves, rotolock nuts and gaskets (shipped with rotolock version only)
Initial oil charge
Installation instructions

Approvals : CE certified, UL certified (file SA6873), -

*Singlepack: Compressor in cardboard box

**Industrial pack: 12 Unboxed compressors on pallet (order per multiples of 12)

Rotolock accessories, suction side
Code no.

Solder sleeve, P09 (1-1/4" Rotolock, 5/8" ODF)	8153011
Angle adapter, C09 (1-1/4" Rotolock, 5/8" ODF)	8168009
Rotolock valve, V09 (1-1/4" Rotolock, 5/8" ODF)	8168033
Gasket, 1-1/4"	8156131

Rotolock accessories, discharge side
Code no.

Solder sleeve, P06 (1" Rotolock, 1/2" ODF)	8153007
Angle adapter, C06 (1" Rotolock, 1/2" ODF)	8168007
Rotolock valve, V06 (1" Rotolock, 1/2" ODF)	8168031
Gasket, 1"	8156130

Rotolock accessories, sets
Code no.

Angle adapter set, C09 (1-1/4"~5/8"), C06 (1"~1/2")	7703012
Valve set, V09 (1-1/4"~5/8"), V06 (1"~1/2")	7703005
Gasket set, 1", 1-1/4", 1-3/4", OSG gaskets black & white	8156009

Oil / lubricants
Code no.

Mineral oil, 160P, 2 liter can	7754001
Mineral oil, 160P, 5 liter can	7754002

Crankcase heaters
Code no.

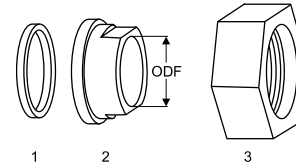
PTC heater 27W	120Z0459
Belt type crankcase heater, 54 W, 230 V, CE mark, UL	7773106

Miscellaneous accessories
Code no.

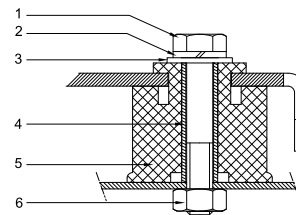
PSC starting kit, 35 µF, 20 µF	7701153
CSR starting kit, 35 µF, 20 µF, 98 µF	7701156
CSR starting kit, prewired box, 35 µF, 20 µF, 98 µF	7701150
Acoustic hood for 1 cylinder compressor	7755001
Oil equalisation nut	8153127

Spare parts
Code no.

Mounting kit for 1 and 2 cylinder compressor, including 3 grommets, 3 bolts	8156001
Oil sight glass with gaskets (black & white)	8156019
Gasket for oil sight glass (black chloroprene)	8156145
Service kit for terminal box 80 x 96 mm, including 1 cover, 1 clamp	8156134

Gaskets, sleeves and nuts


- 1: Gasket
- 2: Solder sleeve
- 3: Rotolock nut

Mounting kit


- 1: Bolt (3x)
- 2: Lock washer (3x)
- 3: Flat washer (3x)
- 4: Sleeve (3x)
- 5: Grommet (3x)
- 6: Nut (3x)

Performance data at 60 Hz, ARI rating conditions

R22

Cond. temp. in °F (tc)	Evaporating temperature in °F (to)								
	-10	0	10	20	30	40	45	50	55

Cooling capacity in Btu/h

90	13 781	18 917	24 860	31 683	39 461	48 266	53 077	58 173	63 562
100	12 034	17 096	22 944	29 652	37 292	45 940	50 665	55 668	60 961
110	10 274	15 248	20 988	27 565	35 055	43 531	48 162	53 067	58 255
120	-	13 384	19 000	25 434	32 760	41 051	45 581	50 380	55 457
130	-	-	16 993	23 269	30 416	38 507	42 930	47 616	52 575
140	-	-	-	21 079	28 034	35 912	40 220	44 786	49 620
150	-	-	-	-	25 623	33 274	37 460	41 900	46 602

Power input in W

90	2 007	2 353	2 665	2 925	3 114	3 214	3 224	3 206	3 155
100	2 132	2 504	2 849	3 150	3 387	3 542	3 583	3 597	3 581
110	2 227	2 630	3 014	3 360	3 650	3 866	3 940	3 989	4 009
120	-	2 727	3 154	3 551	3 900	4 181	4 291	4 377	4 437
130	-	-	3 266	3 719	4 131	4 483	4 631	4 757	4 859
140	-	-	-	3 859	4 339	4 767	4 956	5 124	5 270
150	-	-	-	-	4 520	5 029	5 260	5 474	5 667

Current consumption in A

90	12.40	13.29	14.19	15.00	15.62	15.96	16.00	15.92	15.73
100	12.73	13.72	14.74	15.71	16.52	17.09	17.24	17.30	17.25
110	12.99	14.10	15.27	16.42	17.45	18.25	18.54	18.74	18.84
120	-	14.39	15.74	17.10	18.36	19.44	19.88	20.23	20.49
130	-	-	16.14	17.73	19.25	20.62	21.22	21.74	22.17
140	-	-	-	18.27	20.09	21.77	22.54	23.24	23.85
150	-	-	-	-	20.84	22.87	23.82	24.71	25.52

Mass flow in lbs/h

90	183	248	322	405	498	602	659	718	780
100	167	234	310	395	490	596	654	714	777
110	150	218	296	383	480	589	647	709	773
120	-	201	280	369	469	580	640	702	768
130	-	-	263	354	457	570	631	695	763
140	-	-	-	338	443	559	621	687	756
150	-	-	-	-	428	547	611	678	749

Energy Efficiency Ratio (E.E.R.)

90	6.87	8.04	9.33	10.83	12.67	15.02	16.46	18.15	20.15
100	5.64	6.83	8.05	9.41	11.01	12.97	14.14	15.48	17.03
110	4.61	5.80	6.96	8.20	9.60	11.26	12.22	13.30	14.53
120	-	4.91	6.02	7.16	8.40	9.82	10.62	11.51	12.50
130	-	-	5.20	6.26	7.36	8.59	9.27	10.01	10.82
140	-	-	-	5.46	6.46	7.53	8.12	8.74	9.42
150	-	-	-	-	5.67	6.62	7.12	7.65	8.22

Nominal performance at to = 45 °F, tc = 130 °F

Cooling capacity	42 930	Btu/h	Current consumption	21.22	A
Power input	4 631	W	Mass flow	631	lbs/h
E.E.R.	9.27				

Pressure switch settings

Maximum HP switch setting	402	psi(g)
Minimum LP switch setting	3	psi(g)
LP pump down setting	13	psi(g)

T 0 : Evaporating temperature at dew point

T C : Condensing temperature at dew point

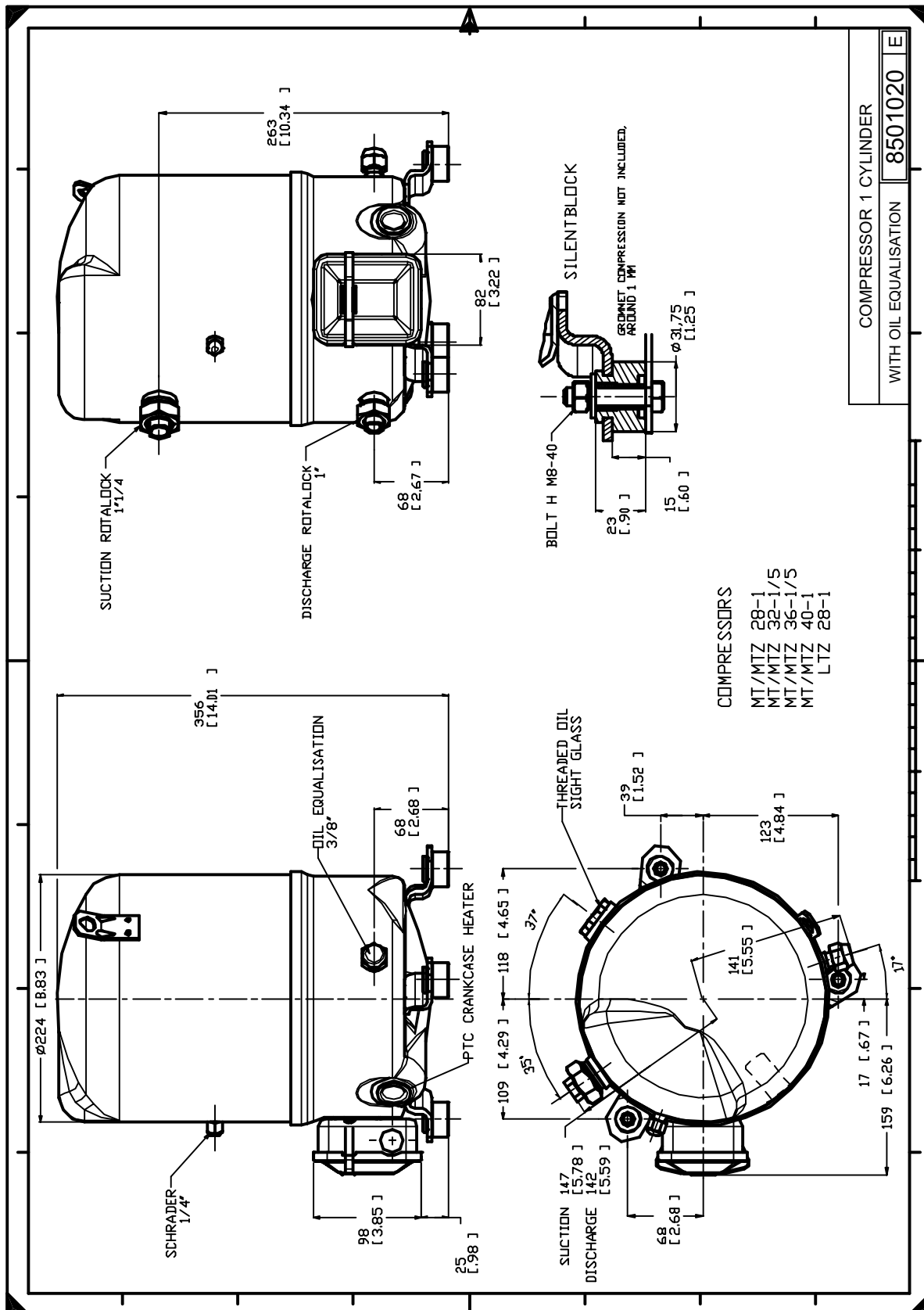
Rating conditions : Superheat = 20 °F , Subcooling = 15 °F

All performance data +/- 5%

Sound power data

Sound power level	0	dB(A)
With acoustic hood	0	dB(A)

Danfoss can accept no responsibility for possible errors in catalogues, brochures and other printed material. Danfoss reserves the right to alter its products without notice. This also applies to products already on order provided that such alternations can be made without subsequential changes being necessary in specifications already agreed. All trademarks in this material are property of the respective companies. Danfoss, the Danfoss logotype and Maneurop are trademarks of Danfoss A/S. All rights reserved.



Danfoss can accept no responsibility for possible errors in catalogues, brochures and other printed material. Danfoss reserves the right to alter its products without notice. This also applies to products already on order provided that such alternations can be made without subsequential changes being necessary in specifications already agreed. All trademarks in this material are property of the respective companies. Danfoss, the Danfoss logotype and Maneurop are trademarks of Danfoss A/S. All rights reserved.