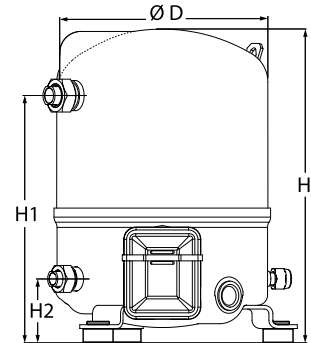


General Characteristics

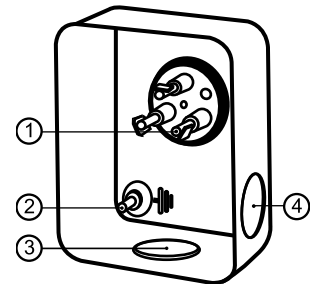
Model number (on compressor nameplate)		MT36JG3FVE
Code number for Singlepack*		MT36-3VI
Code number for Industrial pack**		MT36-3VM
Drawing number		8501025f
Suction and discharge connections		Rotolock
Suction connection		1-1/4" Rotolock
Discharge connection		1" Rotolock
Suction connection with supplied sleeve		5/8" ODF
Discharge connection with supplied sleeve		1/2" ODF
Oil sight glass		Threaded
Oil equalization connection		3/8" flare SAE
Oil drain connection		None
LP gauge port		Schrader
IPR valve		435 psi / 115 psi
Cylinders		1
Swept volume		3.69 in ³ /rev
Displacement @ Nominal speed		448 cfh @ 3500 rpm
Net weight		55 lbs
Oil charge		32 oz, Mineral - 160P
Maximum system test pressure Low Side / High side		363 psi / 435 psi
Maximum differential test pressure		435 psi
Maximum number of starts per hour		12
Refrigerant charge limit		6 lbs
Approved refrigerants		R22, R417A-160PZ

Dimensions



D=8.8 inch, H=14 inch,
H1=10.4 inch, H2=2.7 inch

Terminal box



- IP55 (with cable gland)
 1: Spade connectors 1/4"
 2: Earth M4-12
 3: Knock-out Ø 21 mm (0.83")
 4: Hole Ø 21 mm (0.83")

Electrical Characteristics

Nominal voltage	200-230V/3/60Hz
Voltage range	180-253 V
Winding resistance (between phases) +/- 7% at 77°F	1.16 Ω
Maximum Continuous Current (MCC)	17 A
Locked Rotor Amps (LRA)	74 A
Motor protection	Internal overload protector

Recommended Installation torques

Oil sight glass	37 ft.lbs
Power connections / Earth connection	ft.lbs / 1 ft.lbs
Mounting bolts	11 ft.lbs

Parts shipped with compressor

Mounting kit with grommets, bolts, nuts, sleeves and washers
Suction & Discharge solder sleeves, rotolock nuts and gaskets (shipped with rotolock version only)
Initial oil charge
Installation instructions

Approvals : CE certified, UL certified (file SA6873), -

*Singlepack: Compressor in cardboard box

**Industrial pack: 12 Unboxed compressors on pallet (order per multiples of 12)

Rotolock accessories, suction side
Code no.

Solder sleeve, P09 (1-1/4" Rotolock, 5/8" ODF)	8153011
Angle adapter, C09 (1-1/4" Rotolock, 5/8" ODF)	8168009
Rotolock valve, V09 (1-1/4" Rotolock, 5/8" ODF)	8168033
Gasket, 1-1/4"	8156131

Rotolock accessories, discharge side
Code no.

Solder sleeve, P06 (1" Rotolock, 1/2" ODF)	8153007
Angle adapter, C06 (1" Rotolock, 1/2" ODF)	8168007
Rotolock valve, V06 (1" Rotolock, 1/2" ODF)	8168031
Gasket, 1"	8156130

Rotolock accessories, sets
Code no.

Angle adapter set, C09 (1-1/4"~5/8"), C06 (1"~1/2")	7703012
Valve set, V09 (1-1/4"~5/8"), V06 (1"~1/2")	7703005
Gasket set, 1", 1-1/4", 1-3/4", OSG gaskets black & white	8156009

Oil / lubricants
Code no.

Mineral oil, 160P, 2 liter can	7754001
Mineral oil, 160P, 5 liter can	7754002

Crankcase heaters
Code no.

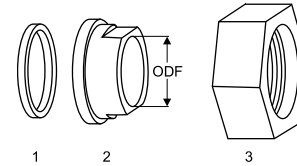
PTC heater 27W	120Z0459
Belt type crankcase heater, 54 W, 230 V, CE mark, UL	7773106

Miscellaneous accessories
Code no.

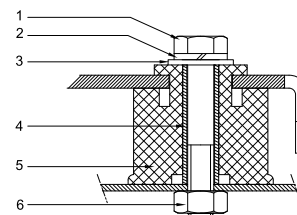
Acoustic hood for 1 cylinder compressor	7755001
Oil equalisation nut	8153127

Spare parts
Code no.

Mounting kit for 1 and 2 cylinder compressor, including 3 grommets, 3 bolts	8156001
Oil sight glass with gaskets (black & white)	8156019
Gasket for oil sight glass (black chloroprene)	8156145
Service kit for terminal box 80 x 96 mm, including 1 cover, 1 clamp	8156134

Gaskets, sleeves and nuts


- 1: Gasket
- 2: Solder sleeve
- 3: Rotolock nut

Mounting kit


- 1: Bolt (3x)
- 2: Lock washer (3x)
- 3: Flat washer (3x)
- 4: Sleeve (3x)
- 5: Grommet (3x)
- 6: Nut (3x)

Performance data at 60 Hz, ARI rating conditions

R22

Cond. temp. in °F (tc)	Evaporating temperature in °F (to)								
	-10	0	10	20	30	40	45	50	55

Cooling capacity in Btu/h

90	12 650	17 439	22 992	29 375	36 657	44 904	49 411	54 184	59 231
100	11 180	15 839	21 225	27 406	34 447	42 417	46 771	51 382	56 259
110	9 698	14 203	19 398	25 350	32 127	39 795	43 984	48 422	53 115
120	-	12 536	17 515	23 215	29 702	37 044	41 056	45 307	49 806
130	-	-	15 582	21 005	27 178	34 169	37 992	42 045	46 336
140	-	-	-	18 726	24 561	31 177	34 799	38 641	42 711
150	-	-	-	-	21 857	28 073	31 480	35 099	38 938

Power input in W

90	1 937	2 192	2 433	2 651	2 834	2 971	3 020	3 054	3 071
100	2 013	2 286	2 551	2 797	3 013	3 190	3 260	3 316	3 357
110	2 082	2 377	2 668	2 946	3 200	3 419	3 512	3 592	3 659
120	-	2 463	2 785	3 099	3 393	3 658	3 776	3 883	3 977
130	-	-	2 900	3 253	3 592	3 906	4 050	4 185	4 308
140	-	-	-	3 408	3 794	4 161	4 334	4 499	4 653
150	-	-	-	-	4 000	4 424	4 627	4 823	5 010

Current consumption in A

90	7.10	7.56	8.04	8.49	8.90	9.21	9.32	9.40	9.44
100	7.24	7.74	8.28	8.81	9.30	9.72	9.89	10.03	10.14
110	7.37	7.92	8.53	9.15	9.74	10.28	10.51	10.72	10.90
120	-	8.10	8.79	9.50	10.21	10.88	11.19	11.47	11.73
130	-	-	9.05	9.88	10.71	11.52	11.91	12.27	12.62
140	-	-	-	10.27	11.24	12.21	12.68	13.13	13.56
150	-	-	-	-	11.80	12.93	13.49	14.04	14.57

Mass flow in lbs/h

90	169	230	299	376	463	561	613	669	727
100	155	217	287	365	453	550	603	659	717
110	141	203	273	352	440	538	591	647	705
120	-	188	258	337	425	523	576	632	690
130	-	-	241	320	408	506	558	614	672
140	-	-	-	301	388	485	538	593	651
150	-	-	-	-	365	462	514	568	626

Energy Efficiency Ratio (E.E.R.)

90	6.53	7.96	9.45	11.08	12.94	15.11	16.36	17.74	19.29
100	5.56	6.93	8.32	9.80	11.43	13.30	14.35	15.50	16.76
110	4.66	5.98	7.27	8.60	10.04	11.64	12.52	13.48	14.52
120	-	5.09	6.29	7.49	8.75	10.13	10.87	11.67	12.52
130	-	-	5.37	6.46	7.57	8.75	9.38	10.05	10.76
140	-	-	-	5.49	6.47	7.49	8.03	8.59	9.18
150	-	-	-	-	5.46	6.35	6.80	7.28	7.77

Nominal performance at to = 45 °F, tc = 130 °F

Cooling capacity	37 992	Btu/h	Current consumption	11.91	A
Power input	4 050	W	Mass flow	558	lbs/h
E.E.R.	9.38				

Pressure switch settings

Maximum HP switch setting	402	psi(g)
Minimum LP switch setting	3	psi(g)
LP pump down setting	13	psi(g)

T 0 : Evaporating temperature at dew point

T C : Condensing temperature at dew point

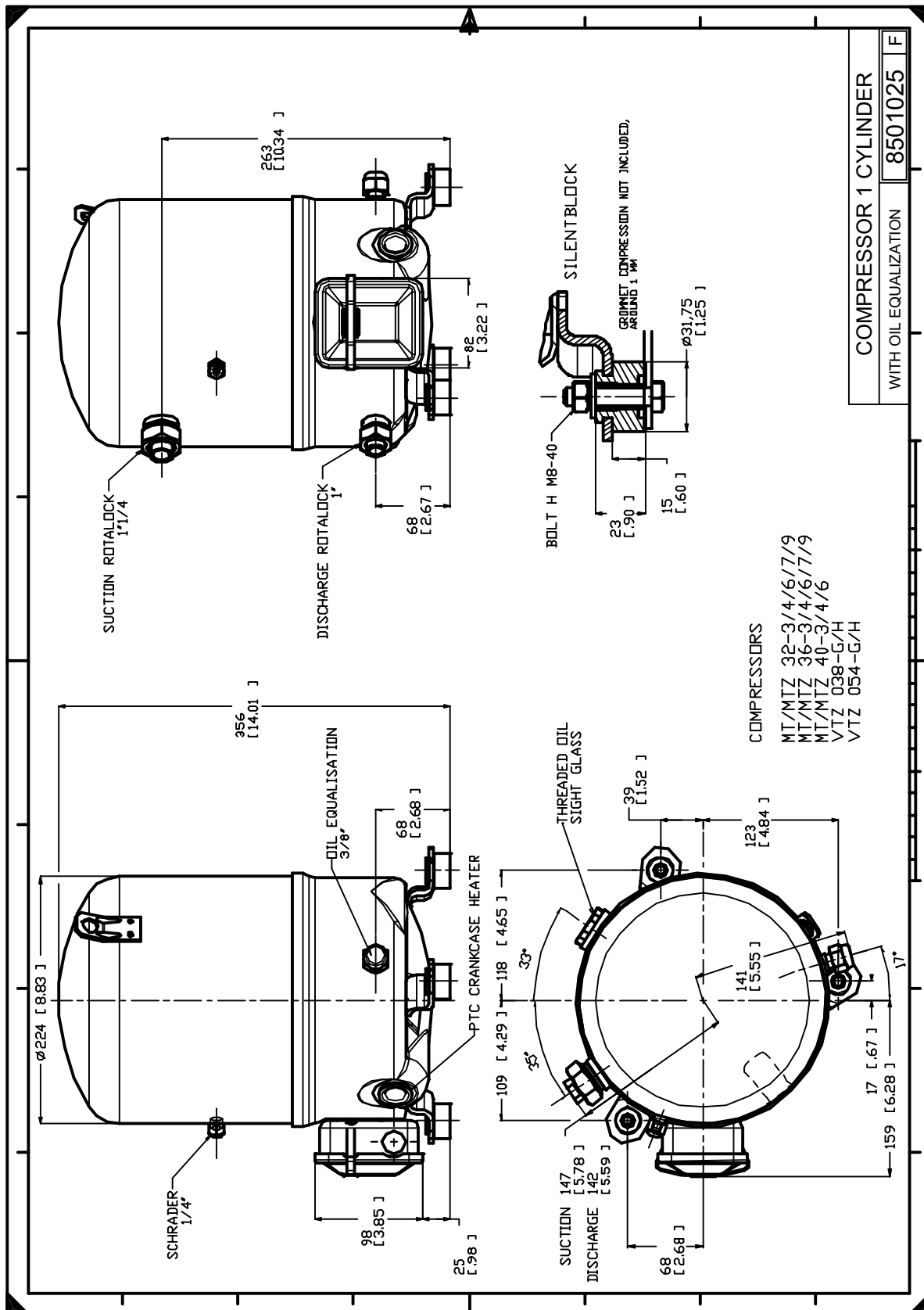
Rating conditions : Superheat = 20 °F , Subcooling = 15 °F

All performance data +/- 5%

Sound power data

Sound power level	0	dB(A)
With acoustic hood	0	dB(A)

Danfoss can accept no responsibility for possible errors in catalogues, brochures and other printed material. Danfoss reserves the right to alter its products without notice. This also applies to products already on order provided that such alternations can be made without subsequential changes being necessary in specifications already agreed. All trademarks in this material are property of the respective companies. Danfoss, the Danfoss logotype and Maneurop are trademarks of Danfoss A/S. All rights reserved.



Danfoss can accept no responsibility for possible errors in catalogues, brochures and other printed material. Danfoss reserves the right to alter its products without notice. This also applies to products already on order provided that such alternations can be made without subsequential changes being necessary in specifications already agreed. All trademarks in this material are property of the respective companies. Danfoss, the Danfoss logotype and Maneurop are trademarks of Danfoss A/S. All rights reserved.