



## ONLINE PRODUCT INFORMATION

[OPi HOME PAGE](#) | 
 [COMPRESSORS](#) | 
 [CONDENSING UNITS](#) | 
 [OTHER EMERSON CLIMATE BUSINESS UNITS](#) | 
 [CROSS REFERENCE](#) | 
 [SOFTWARE DOWNLOADS](#) | 
 [PUBLICATION & BULLETIN SEARCH](#) | 
 [WHERE TO BUY](#) | 
 [BROWSE INFORMATION](#)

### RFT42C1E-PFV

HFC, R-404A, 60Hz, 1- Phase, 208/230 V  
Low Temperature



Production Status: Available for sale to all U.S. customers. Please check with your local Emerson Climate Technologies Representative for international availability.

#### Performance

Evap(*F)/Cond(*F)	-10 / 120	-25 / 105
RG(*F)/Liq(*F)	40.0 / 120.0	40.0 / 105.0
Capacity (Btu/hr)	4100	3160
Power (Watts):	1180	950
Current (Amps):	5.40	4.40
EER (Btu/Wh):	3.50	3.35
Mass Flow (lbs/hr):	93	62
Sound Power (dBA):	64 Avg	67 Max
Vibration (mils/peak)		
Record Date:	2010-08-05	

#### Mechanical

Number of Cylinders:	1	Disp(lin <sup>3</sup> /Rev):	1.70
Bore Size(in):	1.50	Disp(ft <sup>3</sup> /hr):	206.16
Stroke(in):	0.96		
Overall Length (in):	10.30	Mounting Length (in):	8.00
Overall Width (in):	7.10	Mounting Width (in):	4.80
Overall Height (in):	9.80	Mounting Height (in):	10.40 *
Suction Size (in):	3/8 Stub		
Discharge Size (in):	1/4 Stub		
Oil Recharge (oz):	20		
Initial Oil Charge (oz):	22		
Net Weight (lbs):	39.7		
Internal Free Volume (in <sup>3</sup> ):			
Horse Power:			
*Overall compressor height on Copeland Brand Product's specified mounting grommets.			

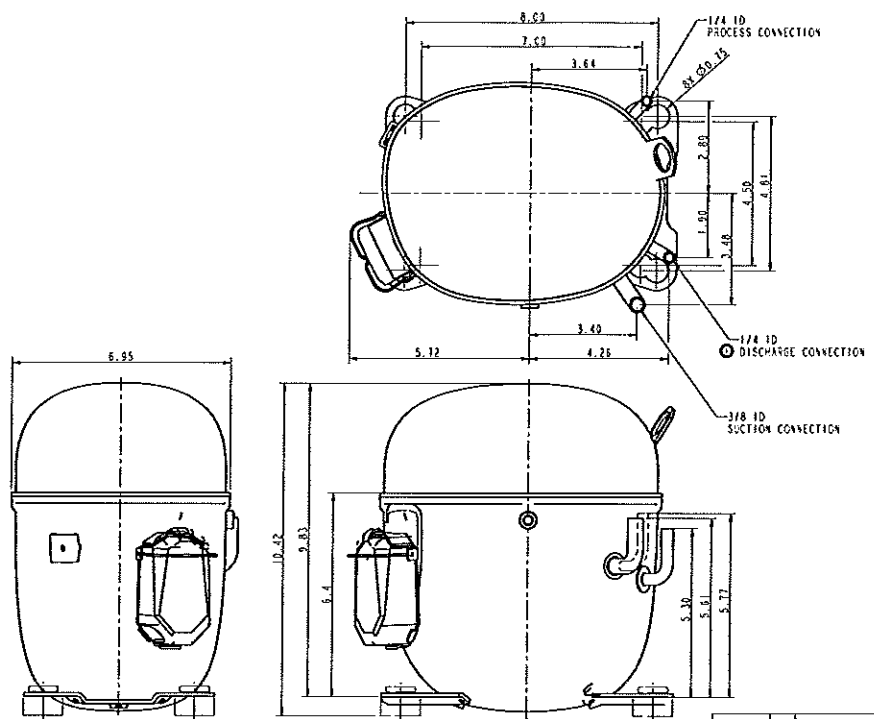
#### Electrical

LRA-High*:	45.0	MCC (Amps):	11.2	UL File No:	SA-2337
LRA-Half Winding:		RPM:	3500	UL File Date:	04-Oct-1979
LRA Low*:		Max Operating Current:			
RLA(=MCC/1.4;use for contactor selection):			8		
RLA(=MCC/1.56;use for breaker & wire size)			7.2		
*Low and High refer to the low and high nominal voltage ranges for which the motor is approved.					
Type	Part No	Low MFD	High MFD	Volts	User Description
Start Capacitor	014-0061-30	130.0	156.0	330	
Run Capacitor	014-0064-11	25.0	0.0	440	

#### Alternate Applications

Refrigerant	Freq (Hz)	Phase	Voltage	Application
R-404A HFC	50	1	200	

MODEL
RF118C1E-PFA
RF142C1E-PFA
RF142C1E-PFV
RF142C1E-PFZ



REV	DATE	BY	CHKD	APP'D
001	08/11/18			
002	08/11/18			
003	08/11/18			
004	08/11/18			
005	08/11/18			
006	08/11/18			
007	08/11/18			
008	08/11/18			
009	08/11/18			
010	08/11/18			

20	REF DWS-WELD COMP ASSEM	487-2855-02
----	-------------------------	-------------

COPYRIGHT EMERSON CLIMATE TECHNOLOGIES, INC. - CONFIDENTIAL

UNCONTROLLED - DO NOT MODIFY