

SAFETY RELIEF VALVE

3 SIZES 2", 2 1/2", 3"

HIGH FLOW, LOW PRESSURE
RELIEF APPLICATION

UNIQUE SEAT DESIGN
MINIMIZES LEAKAGE

NBR HAS PULL RING OR
"T" HANDLE FOR MANUAL TESTING

TESTED FOR SET PRESSURE
AND LEAKAGE



Item# NBR

Max Operating Pressure: 15 PSI (1.034214 BAR)

Min Operating Pressure: 1 PSI (0.06894757 BAR)

Min/Max Temperature: -20°F–400°F (-29°C–204°C)

Size: 2" NPT, 2 1/2" NPT, 3" NPT

Connection: Threaded NPT

Materials: Inlet, Piston, Stem, Spring Guide, Cap: Brass

Body: Cast Iron

Spring, Set Screws, Pull Ring: Stainless Steel

CONTROL DEVICES, LLC
1555 LARKIN WILLIAMS ROAD
FENTON, MISSOURI 63026

+1 636.660.7100
+1 800.233.1477

WWW.CDIVALVE.COM



control
devices, LLC

SAFETY RELIEF VALVE

HOW TO ORDER

SIZE	OPTION	PRESSURE SETTING (PSI)	THREAD	D/H/W			WEIGHT (LBS)	FLOW (5PSI/10PSI/15PSI)		
20 (2" NPT)	A (Pull Ring)	Select a whole number 1-15. Format as 3 digits (ex. 14 PSI =014)	2	4.5	6.3	5.0	9	590	771	856
25 (2.5" NPT)	T (Tee Handle)		2.5	5.0	7.8	5.7	13	933	1193	1862
30 (3" NPT)			3	6.1	8.7	6.9	17	1200	1862	2223

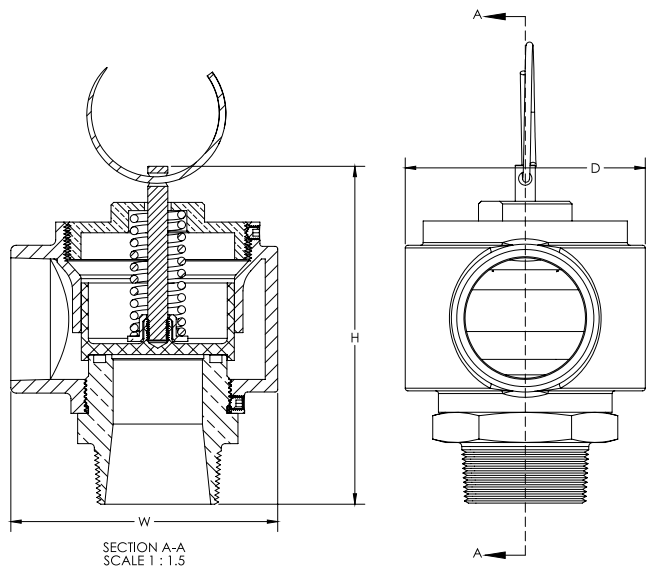
NBR _ _ -0 _ _ _ _

EXAMPLE

NBR20-0A007

DESCRIPTION

2" NPT Connections, Pull Ring, Set to 7 PSI



OPTIONAL PULL RING

Prevents handle from wearing through stem in high vibration applications