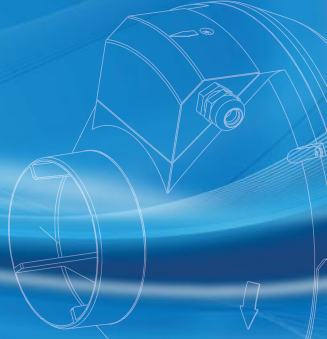




**CFM**<sup>™</sup>  
CONTINENTAL FAN

*better AIRFLOW by DESIGN*<sup>™</sup>



# *Commercial Fans & Dampers*

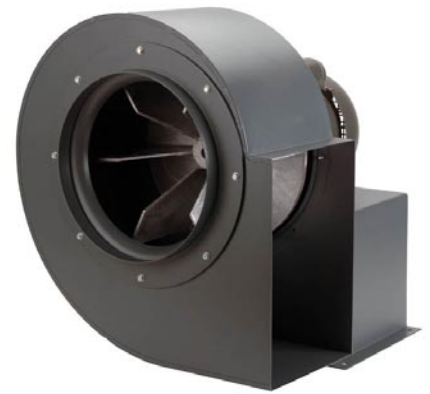


# RADIAL BLADE BLOWERS

## KRD RADIAL BLADE BLOWERS

### FEATURES & BENEFITS

- Welded 16-gauge steel housing and motor base
- Dynamically balanced cast aluminum wheels
- Self cleaning wheel designed for efficient operation
- Baked polyester powder coat finish
- Single or three phase TEFC motors; also available without motor
- Explosion proof motors available - consult factory
- Standard discharge: CW bottom horizontal; rotatable to 8 positions
- Field adjustable rotation and discharge
- Capacities to 3,307 cfm



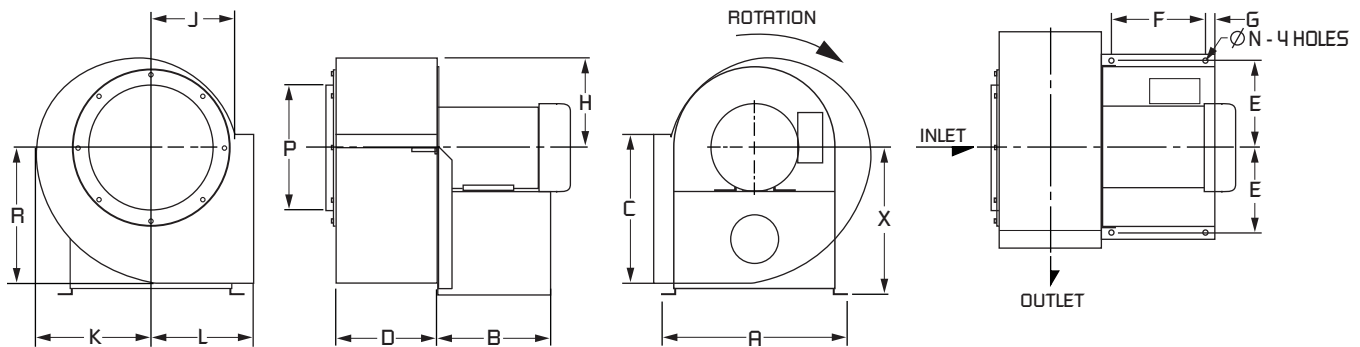
### APPLICATIONS

- Small exhaust systems where air is laden with dust or grit
- Suitable for air containing dirt, lint or foreign material, as wheel is self cleaning

### ACCESSORIES / OPTIONS

- Weather proof motor cover
- Inlet and discharge screen
- Discharge dampers
- Custom coatings
- Inlet and discharge flanges
- Factory mounted motors
- Spark resistant construction

MODEL	MTR HP	dBA @ 5'	AIRFLOW PERFORMANCE (CFM) AT 1750 RPM												
			0.125" SP	0.25" SP	0.375" SP	0.50" SP	0.625" SP	0.75" SP	1" SP	1.25" SP	1.50" SP	1.75" SP	2" SP	2.25" SP	
KRD-08	1/4	64	493	448	396	334	250	93	-	-	-	-	-	-	
KRD-09	1/4	69	848	788	724	655	572	462	-	-	-	-	-	-	
KRD-11	3/4	75	1524	1457	1386	1309	1225	1134	916	617	97	-	-	-	
KRD-12	1-1/2	79	2400	2331	2257	2179	2096	2007	1807	1564	1252	812	166	-	
KRD-14	2	81	3307	3221	3134	3046	2956	2863	2664	2438	2164	1786	1181	666	



MODEL	DIMENSIONS IN INCHES*																		WT (LBS) LESS MTR
	WHEEL SIZE	BORE SIZE	MTR FRAME	A	B	C	D	E	F	G	H	J	K	L	N	P	R	X	
KRD-08	7-3/4 x 4	5/8	56	11.0	8.0	8.3	5.4	5.0	7.0	0.5	6.0	4.6	6.8	6.9	0.4	8.0	8.0	8.5	35
KRD-09	9 x 5	5/8	56	12.1	8.0	10.8	6.5	5.6	7.0	0.5	6.8	5.6	7.8	7.1	0.4	9.0	9.3	9.4	45
KRD-11	10-7/8 x 5-5/8	5/8	56	14.8	9.0	11.8	8.0	6.9	7.5	0.8	8.0	6.8	9.1	8.1	0.4	10.0	10.8	11.8	65
KRD-12	12-1/2 x 7-1/2	7/8	145T	16.4	10.5	13.3	9.6	7.4	8.8	0.9	10.1	8.5	11.5	10.5	0.6	13.3	13.3	17.0	95
KRD-14	13-1/2 x 8-1/8	7/8	145T	17.6	10.5	14.6	10.8	8.0	8.8	0.9	11.1	9.4	12.6	11.4	0.6	14.5	14.6	17.0	120

\*DO NOT USE FOR CONSTRUCTION

CONSULT FACTORY FOR CERTIFIED PRINTS

## PRD RADIAL BLADE PRESSURE BLOWERS

### FEATURES & BENEFITS

- Welded 16-gauge steel housing and motor base
- Dynamically balanced cast aluminum wheel
- Self cleaning wheel designed for efficient operation
- Baked polyester powder coat finish
- Single or three phase TEFC motors; also available without motor
- Explosion proof motors available - consult factory
- Standard discharge: CW bottom horizontal; rotatable to 8 positions
- Field adjustable rotation and discharge
- Capacities to 2,100 cfm



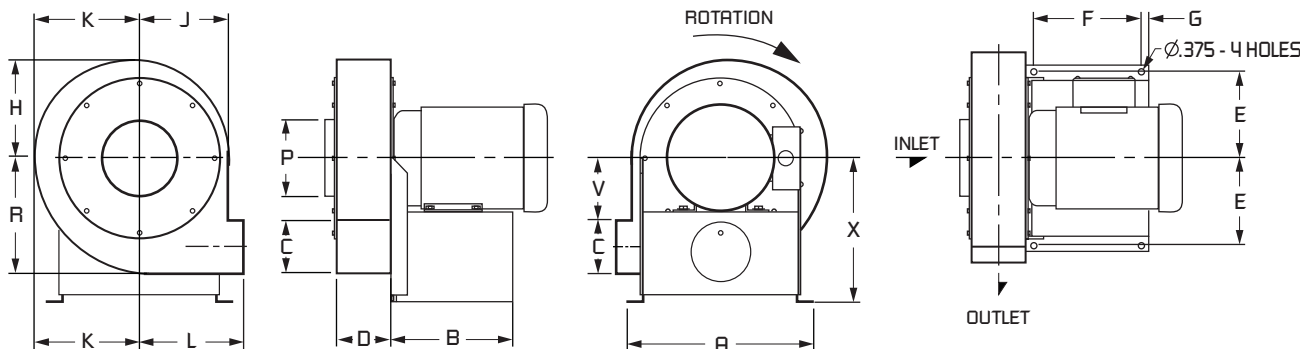
### APPLICATIONS

- Small exhaust systems where air is laden with dust or grit
- Supplying high pressure air for conveying and cooling

### ACCESSORIES / OPTIONS

- Weather proof motor cover
- Custom coatings
- Factory mounted motors
- Inlet and discharge screen
- Inlet and discharge flanges
- Spark resistant construction

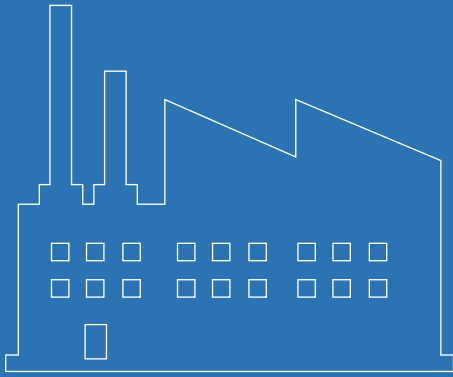
MODEL	MTR HP	dBA @ 5'	AIRFLOW PERFORMANCE (CFM) AT 3500 RPM																
			0.25" SP	0.50" SP	1" SP	1.50" SP	2" SP	2.50" SP	3" SP	3.50" SP	4" SP	5" SP	6" SP	7" SP	8" SP	9" SP	10" SP	11" SP	12" SP
PRD-08	1/3	74	283	274	256	237	216	192	165	129	70	-	-	-	-	-	-	-	-
PRD-09	3/4	77	475	465	445	423	399	374	346	316	282	195	-	-	-	-	-	-	-
PRD-11	1-1/2	84	786	772	746	719	692	664	635	606	575	508	431	329	-	-	-	-	-
PRD-12	3	90	1185	1171	1145	1117	1090	1062	1033	1004	974	911	842	765	672	549	-	-	-
PRD-14	7-1/2	92	2100	2079	2037	1995	1952	1909	1866	1822	1777	1685	1587	1482	1367	1236	1081	874	474



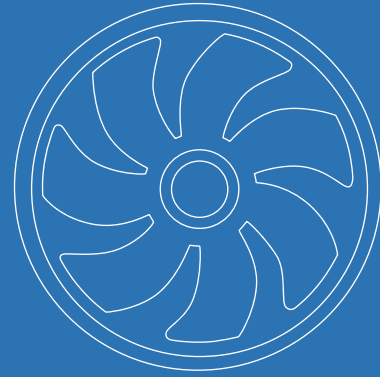
MODEL	WHEEL SIZE	BORE SIZE	MTR FRAME	DIMENSIONS IN INCHES*															WT (LBS) LESS MTR
				A	B	C	D	E	F	G	H	J	K	L	P	R	V	X	
PRD-08	7-3/4 x 2-1/4	5/8	56	11.0	8.0	3.0	3.0	5.0	7.0	0.5	5.4	4.9	5.9	5.9	4.0	6.6	3.6	8.5	35
PRD-09	9 x 2-3/4	5/8	56	12.1	8.0	3.5	3.5	5.6	7.0	0.5	6.4	5.8	6.9	6.8	5.0	7.5	4.0	9.4	40
PRD-11	10-5/8 x 3	5/8	56	14.8	9.0	4.0	3.5	6.9	7.5	0.8	7.3	6.5	8.0	7.6	6.0	8.6	4.6	11.8	55
PRD-12	12-1/2 x 3	7/8	145T	17.0	8.0	5.0	4.0	8.0	6.5	0.8	8.3	7.5	9.0	9.6	7.0	10.0	5.0	10.6	85
PRD-14	13-1/2 x 4-3/8	1-1/8	184T	17.6	11.3	7.1	5.8	8.0	9.6	1.0	10.5	9.6	11.4	11.0	8.0	11.5	4.4	12.6	140

\*DO NOT USE FOR CONSTRUCTION

CONSULT FACTORY FOR CERTIFIED PRINTS



***Industrial Fans  
& Blowers***



***OEM Solutions  
& Custom Fans***



***Commercial Fans  
& Dampers***



***Residential Fans &  
Air Purifiers***



## Commercial Fans & Dampers

Continental Fan Manufacturing Inc.  
203 Eggert Road  
Buffalo, New York 14215

Continental Fan Canada Inc.  
12-205 Matheson Blvd E  
Mississauga, Ontario L4Z 3E3

Continental Fan Manufacturing Inc.  
6274 Executive Blvd.  
Dayton, Ohio 45424

1-800-779-4021 • [www.continentalfan.com](http://www.continentalfan.com)

Distributed by:

Commercial-1705