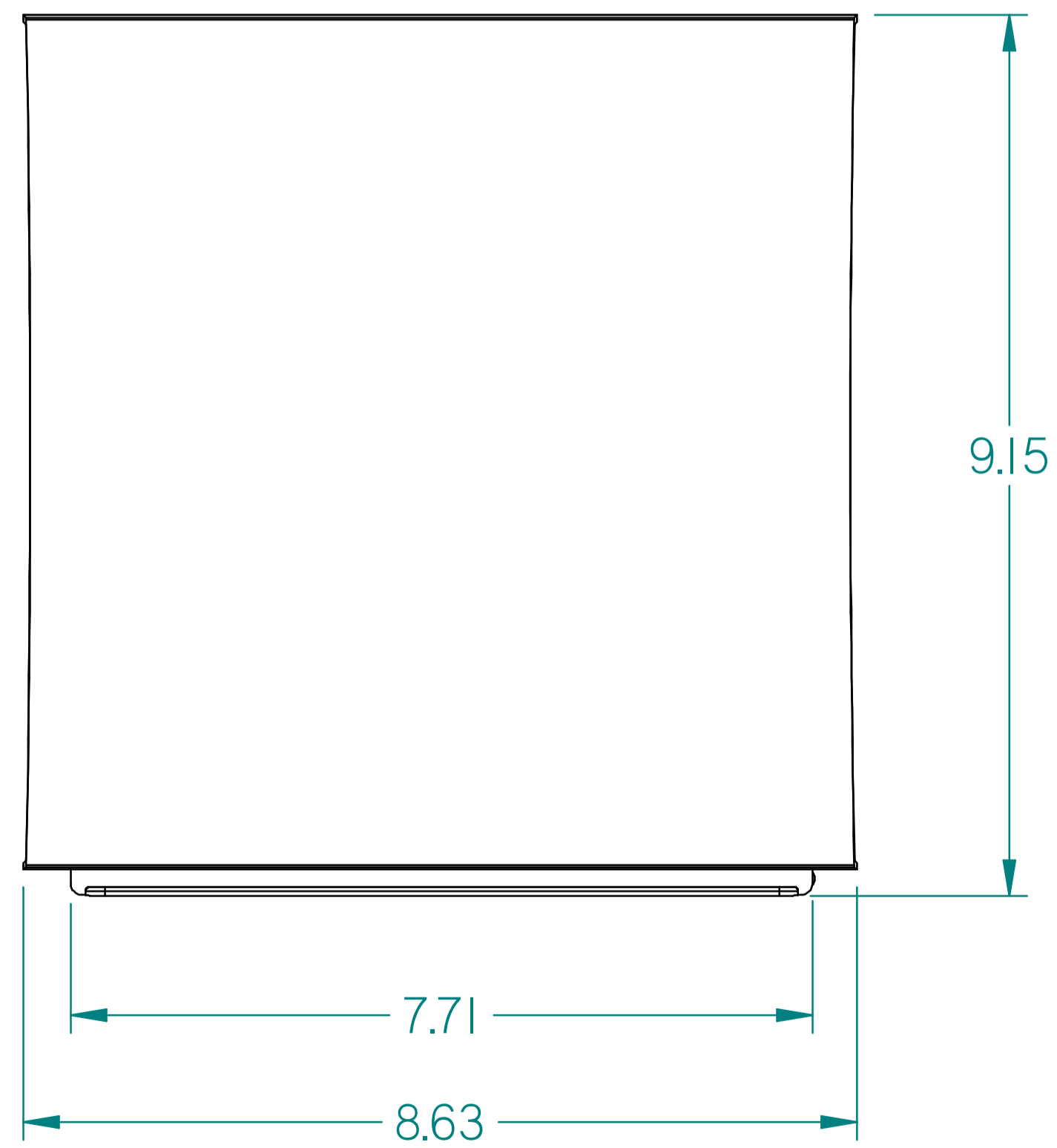



CURVE GRILLE



DIMENSIONS SUBJECT TO CHANGE WITHOUT NOTICE.
DRAWING NOT TO BE USED FOR CONSTRUCTION.

ALL DIMENSIONS IN INCHES

10					 CFM Better Airflow By Design TITLE ECO-FLO-PLUS SUBMITTAL		
09							
08							
07							
06							
05							
04							
03							
02							
01							
REV.	DIMENSIONS REVISED	06/25/2025	CMJ	DESIGNED BY CUNRAU	APPROVED BY	DATE 01/30/2024	REV. 01
	REVISION NOTE	DATE	BY				