

Energy Recovery Ventilator

ECO-FLO^{Plus} ERV is the all-in-one ventilation solution for new construction and renovation projects. This compact ventilator is capable of exhausting stale indoor air and supplying fresh filtered outdoor air. The reversible axial fan features a DC motor, characterized by low power consumption and quiet operation. The ceramic energy regenerator provides a regeneration efficiency of up to 97%. The energy recovered from the exhaust air will pre-heat or pre-cool the incoming supply air (depending on the season). ECO-FLO^{Plus} ERV has the added benefit of indoor humidity control, making it ideal for use in both living and working environments.

FEATURES & BENEFITS

- Reversible 3-speed axial fan with an energy efficient EC motor
- Air purification with a pre-filter and MERV11 (F7) filter
- Built-in temperature sensor
- Automatic shutter prevents backdrafts
- Plain white interior panel
- Frost and condensation free
- Low energy demand 11.5 watts
- Quiet operation - less than 32.7dB(A)
- Supplies fresh outdoor air and exhausts stale indoor air
- Flexible operation, working individually or in groups
- High-tech ceramic energy regenerator with heat recovery efficiency up to 97%
- Easily control from the app, remote, or ventilator casing
- CO₂ sensor monitors real-time concentration and dilutes CO₂ concentration with fresh air
- Simple through-the-wall installation; suitable for wall thickness ranging from 8.7" to 14.2"



APPLICATIONS

- New construction
- Apartments
- Offices
- Renovation projects
- Commercial buildings
- Homes

A single ECO-FLO^{Plus} ERV in ventilation mode can ventilate a room up to 500 square feet, in accordance with ANSI/ASHRAE Standard 62.2. The fan speed and humidity settings allow for personalized control of each individual room.

Multiple ventilators can operate independently of each other or can work synchronously. The ECO-FLO^{Plus} ERV allows users to install multiple units without hardwiring them together. Instead, an IoT networking operation synchronizes units through a wireless pairing process and Wi-Fi connection. Using the app, the ventilator can be programmed to operate in unison (the same mode) or in complementary (supply and extract) mode. It is recommended that paired units be used to ensure balanced ventilation.

When arranging a ventilation network, install one unit in each room. For larger rooms, install two or more ventilators. The air flows from one room to another through doors, openings, or hallways, ensuring constant circulation. There is no limit to the number of ventilators in a group. A network of ventilators provides an easy, cost-effective solution for larger buildings undergoing construction or renovation.

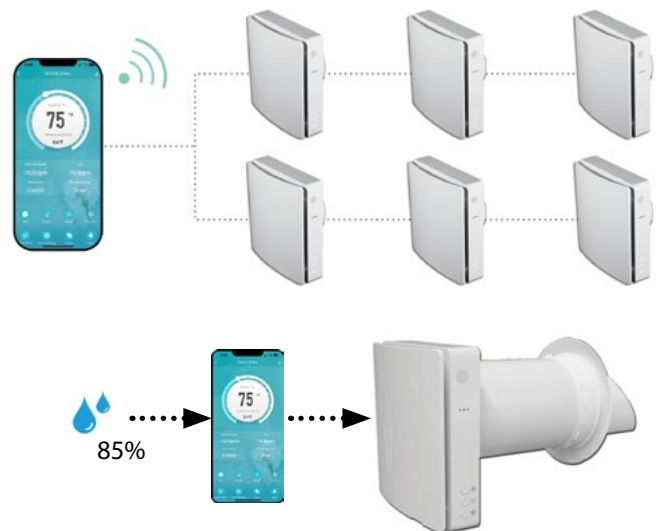
In the app, the user can create scene(s) according to weather, schedule or device status. For example, when the outdoor relative humidity is higher than 85%, the ventilator can be set to stop or run in exhaust mode. This helps prevent the outdoor humidity from coming inside. The unit will run automatically according to the setting.

A temperature sensor is a standard feature. When the outdoor temperature is comfortable, the ventilator will work in supply mode to introduce fresh air without heat recovery. It is called free cooling. When the unit detects the outdoor temperature is within $\pm 1^{\circ}\text{C}$ of the set temperature, it will automatically switch to supply mode to supply more fresh air.

IoT NETWORKING OPERATION

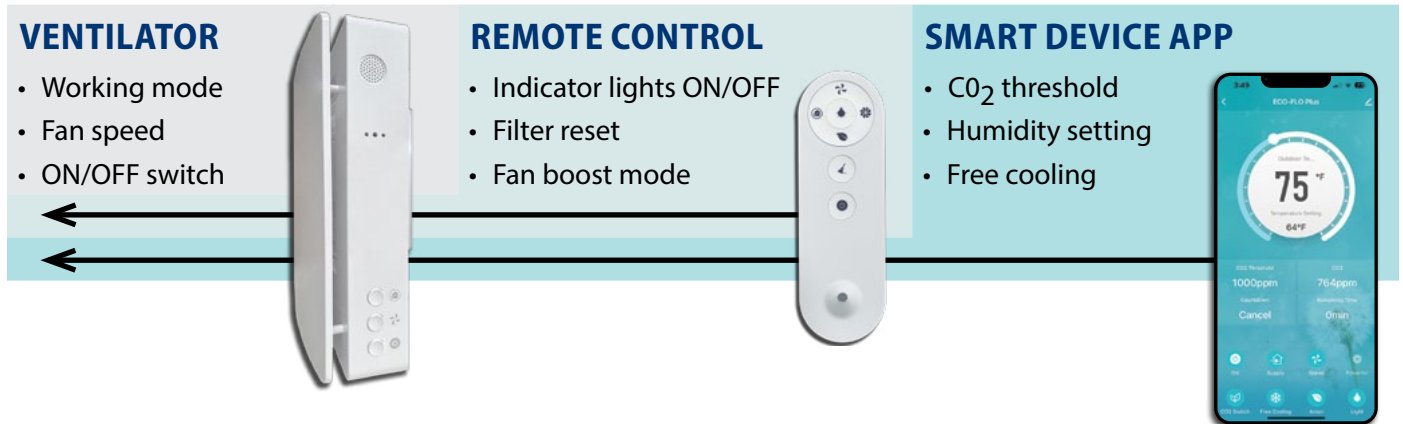
Running wire between ERV units is a thing of the past. The ECO-FLO^{Plus} ERV allows users to install multiple units without hardwiring them together. Instead, an IoT networking operation synchronizes units through a wireless pairing process. This reduces material and labor costs and saves time on an installation.

The maximum linear unobstructed communication signal distance between primary and secondary ventilators is 49 feet. The signal from the primary ventilator to the secondary ventilator can pass through a 7-inch brick wall.



THREE EASY WAYS TO OPERATE

ECO-FLO^{Plus} ERV operates with either the buttons on the ventilator casing, the remote control, or the app on a smart device. The buttons on the ventilator casing have limited functionality. The remote control has wider control capabilities. The app features the full range of controls as well as a display of information like temperature settings, humidity levels, and real-time CO₂ concentration.



FUNCTIONS



WORKING MODE - Adjusts the (supply, exhaust, or regeneration) mode of the ventilator.



FAN SPEED - Changes the (low, medium, or high) speed of the fan.



POWER ON/OFF - Turns the ventilator ON or OFF.



INDICATOR LIGHT ON/OFF - Light indicates whether the ventilator is ON or OFF.



FILTER RESET - Resets the filter replacement time (720 hours). Reminds users to clean or replace filters in the APP.



FAN BOOST MODE - Sets the fan into boost mode, operating the fan at maximum power. After 30 minutes, the boost mode automatically turns off.



CO₂ THRESHOLD - Sets indoor CO₂ levels from 400 to 2000 ppm. If CO₂ concentration exceeds the set value during operation of regeneration mode, the ventilator will switch to supply mode. Fresh air is introduced until CO₂ is lower than the set value.



FREE COOLING - Sets the outdoor temperature between 50°F to 84°F (10°C to 29°C) so that fresh air can be introduced without heat recovery in supply mode.



HUMIDITY SETTING - The ventilator switches from regeneration mode to exhaust mode when indoor humidity level exceeds the set value. The ventilator returns to the previous operation mode when the indoor humidity is <5% of the set range (40-95%).

DOWNLOAD THE SMART VENT APP

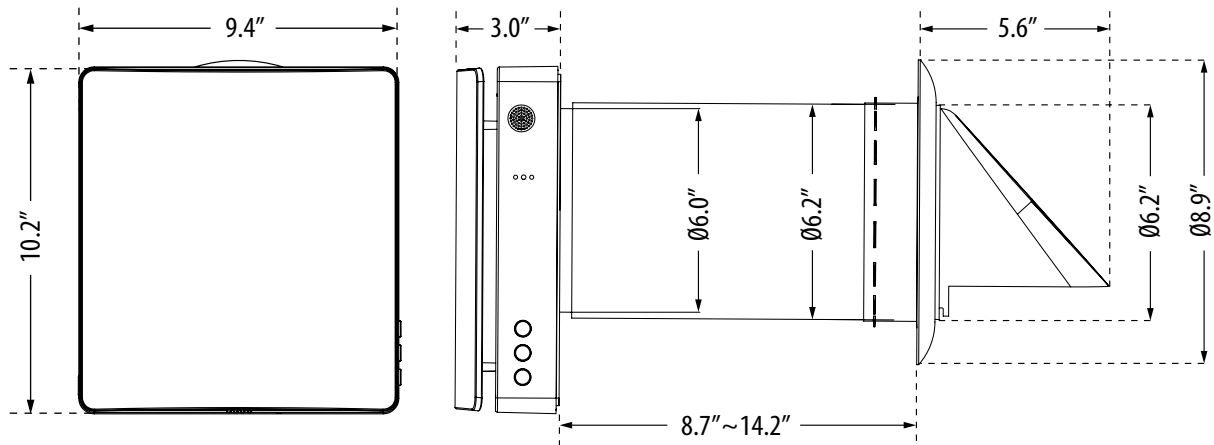
Scan the QR code to download the app, or search for "Smart Vent" in the Apple or Google Play store to install the app.



or



SPECIFICATIONS



Consult factory for walls thicker or thinner than the standard dimensions.

Model	ECO-FLO ^{Plus}		
Voltage	100V~240V AC / 50-60Hz		
Power (W)	9.7	10.7	11.5
Current (A)	0.14	0.15	0.16
Airflow in supply/exhaust mode with MERV 11 (F7) filter (CFM*)	11.8	23.5	29.4
Max airflow under fan boost mode (CFM)	35		
Sound pressure level (dBA)	32.7		
Regeneration efficiency	Up to 97%		
Ingress protection rating	IP X4		
RPM (max)	2200		
Diameter of duct (in.)	6		
Net Weight (lbs)	9.3		

*The airflow in supply/exhaust mode without the MERV 11 (F7) filter is about 20/33/41.2 CFM.

OPTIONAL ACCESSORIES & REPLACEMENT PARTS

