

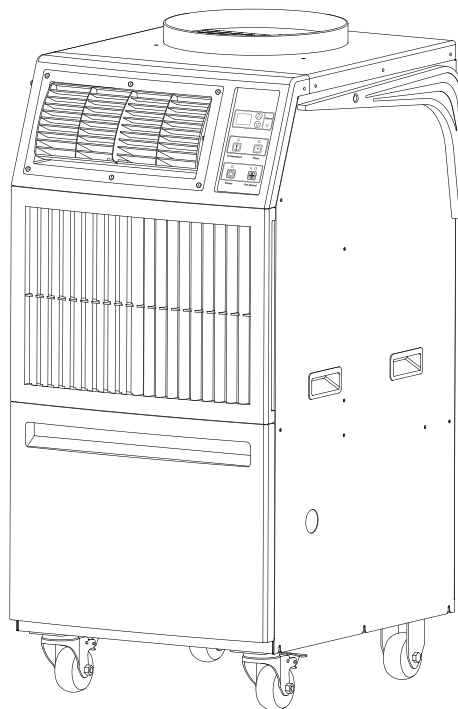


# OPERATION MANUAL

## CPTH-12



**Cold Plasma Technology**



READ THIS MANUAL CAREFULLY FOR INSTRUCTIONS ON CORRECT  
INSTALLATION AND USAGE, AND READ ALL SAFEGUARDS

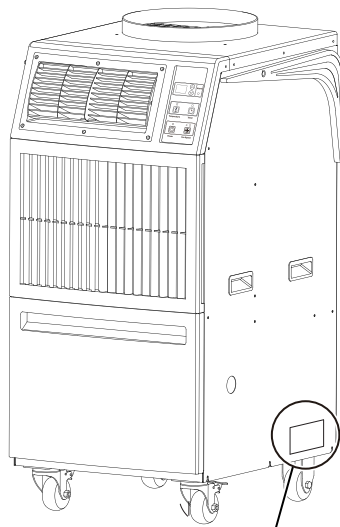
# PORTABLE HEAT PUMP

## SERIAL NUMBER LOCATION AND IDENTIFICATION

The serial number and name plate can be located near the lower right side of the unit.

### Nameplate Label

Power	AC115V/60Hz
Cooling Capacity	11500BTU/h
Cooling AMPS	13.4A
Cooling WATTS	1500W
Heating Capacity	10300BTU/h
Heating AMPS	10.8A
Heating WATTS	1200W
Refrigerant	R-410A
Refrigerant Capacity	750g(1.65Lb)
Discharge Pressure	3.0MPa
Suction Pressure	0.9MPa
MAX Operating Pressure	4.0MPa
Cooling Environment Conditions	18 °C ~ 35 °C (65°F ~ 95°F)
Heating Environment Conditions	4.4 °C ~ 26.7 °C (40°F ~ 80°F)
Dimensions	20.5"W×27.2"D×41.7"H
Weight	75Kg(165Lb)



Nameplate Location

## **FOREWARD**

**The first portable Heat Pump featuring Cold Plasma Needlepoint Bipolar Ionization.**

- **Eliminates viruses and bacteria.**
- **Effective on airborne and surface pathogens.**
- **Neutralizes odors and VOC's.**
- **Reduces mold spores, pollen, allergens and particulates.**
- **Removes smoke and smoke odors.**
- **Efficacy tested and Independently proven effective.**
- **Bipolar Ionization technology certified UL867 & UL2998 for zero ozone emissions not to exceed 0.005 PPM as tested by UL867.**

### **Exclusive ClimaTemp Product Features:**

- **Provides both heating and cooling in one single unit.**
- **Cold Plasma Bipolar Ionization for IAQ.**
- **HEPA filtration ready with the optional HEPA Accessory Kit attachment.**
- **Protected metal condenser coil decorative cover overlay with slide out filters.**
- **QuickMove Condenser and Evaporator filters. For quick effortless cleaning.**
- **Attachable rear kick plate for navigating over door jams and rough terrain.**
- **Cord pocket to keep the units power cord organized and out of the way.**
- **Stylish and functional side bump guards to protect the unit from dents and scratches.**

### **Features:**

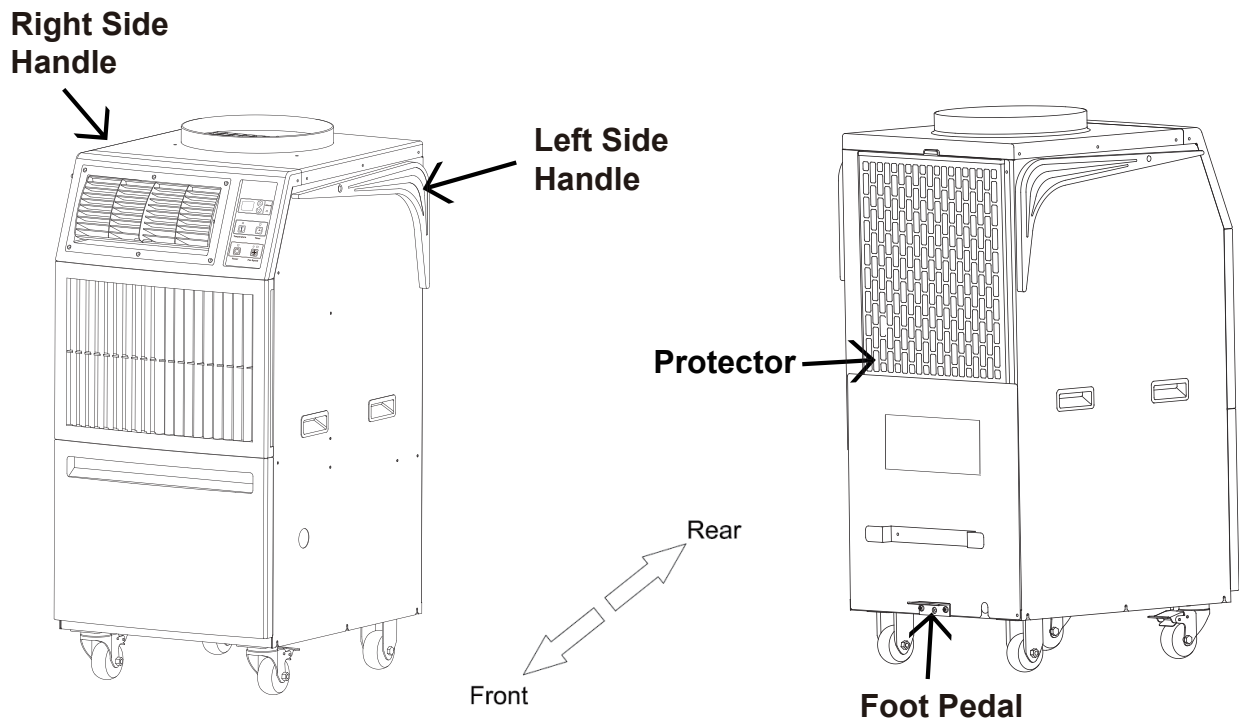
- **Provides 10,300 Btu/h of heat and 11,500 Btu/h of cooling.**
- **Operating range on Heat mode: 40-80°F.**
- **Operating range on Cool mode: 65-95°F.**
- **ETL Listed and Certified.**
- **Soft touch LED Controller.**
- **Self-diagnostic LED controller displays error codes for quick troubleshooting.**
- **Operates on standard 115V power at only 12 Amps.**
- **Auto full condensate bucket shut off and audible alarm.**
- **Condensate Pump Option. (Beckett Brand Plug n Play)**
- **Automatic Restart feature that resets to original settings if power is lost.**
- **No costly installation necessary. Fast setup in minutes.**
- **Built for everyday use and designed for the rental industry.**
- **Classic design for a great look in all commercial applications.**
- **High quality locking castors for effortless movement.**
- **LCDI protected plug.**

## INVENTORY

After unpacking your ClimaTemp Portable Heat Pump, please check to make sure you have the following items:

1. CPTH-12 Portable Heat Pump.
2. Operation Manual.
3. Kick Plate/Foot Pedal. (located under the unit). Please attach to bottom rear of unit.
4. Metal Cord Wrap Holder. (located under the unit). Please attach to back of unit.

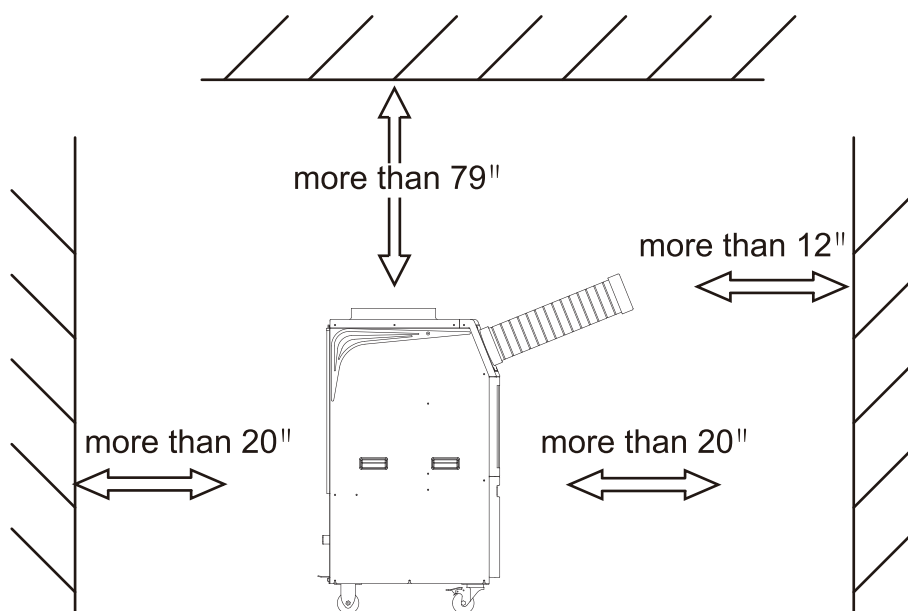
**Note:** *If any of these items were not included in the box or appear damaged, please contact your ClimaTemp Portable spot air conditioner reseller for replacement.*



**INSTALLATION & GENERAL SAFETY INFORMATION**

- Unit Designed for indoor usage only. Do not submerge or spray water on the spot cooler.
- Do not use the unit at conditions above 95°F in cooling mode or below 40°F in heating mode.
- Use 115V-60HZ, 1Phase power supply only. Securely plug into grounded 15amp outlet.
- Do not use an extension cord which may cause a risk of fire or electric shock.
- Do not bend or kink power cable. Damage to power cord can cause electric shock or injury.
- Do not place anything on the top of the machine. Do not stand or place hands or fingers inside of the unit while in operation.
- Install unit on smooth level ground. Lock the castors breaks to minimize rolling and movement.
- Always power off unit by the control panel, do not turn off by removing plug from power source.
- Condenser exhaust should always be ducted to the exterior or outside the area for maximum cooling.
- Do not pinch, minimize or constrict the duct size of the exhaust (12") as this may cause then unit to malfunction or damage to the unit.

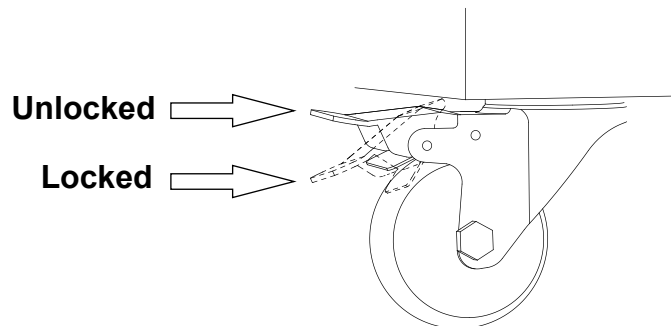
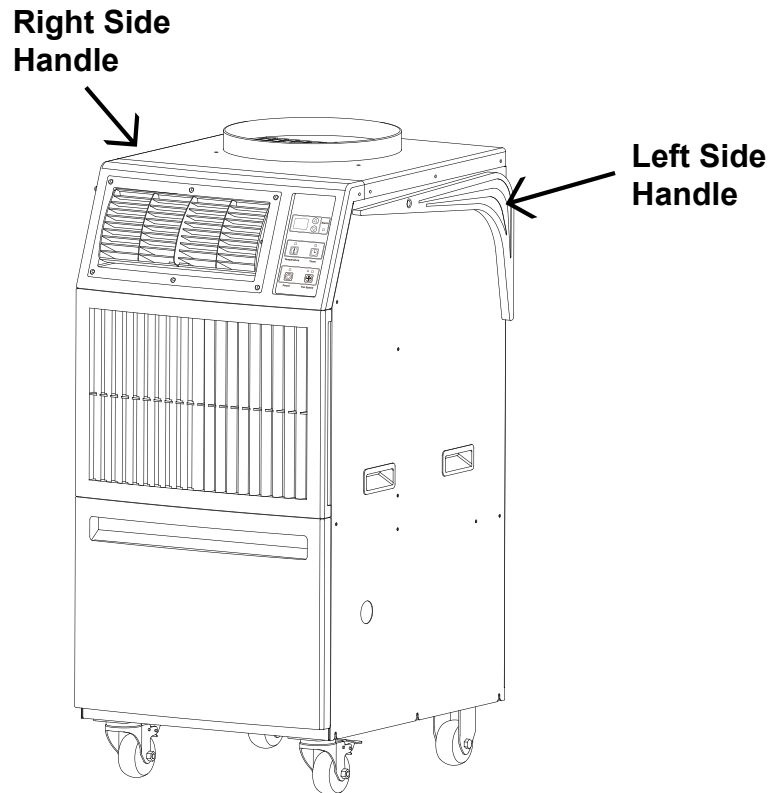
When in operation, the front and back of the machine should be more than 20" from the wall or other barrier. The cold air exhaust should be at least 12" away from any barrier and hot air exhaust should be more than 79" from roof or barrier.



## INSTALLATION (cont.)

### Moving the Unit

Unlock the casters and push the Portable Heat Pump unit using the side handles to a flat, level surface and set the casters to the **LOCKED** position.



**INSTALLATION (cont.)****Plugging in the Unit**

1. Check the prongs and surface of the power cord plug for dust/dirt. If dust and/or dirt are present, wipe off with a clean, dry cloth.
2. Check the power cord, plug and prongs for damage. If any damage is found, contact ClimaTemp Portables or a qualified technician for repair.

** WARNING:**

1. If the power cord or plug is damaged, replacement should only be performed by qualified electrical personnel.
2. Because of potential safety hazards under certain conditions, we strongly recommend against the use of an extension cord.

**Procedure for Testing Device**

The CPTH-12 is equipped with a LCDI power cord. This device is non-serviceable and opening the device may cause electric shock or void the warranties of the product.

1. Plug into grounded appropriate 115v receptacle.
2. If unit does not operate, press the test button, followed by the reset button.
3. If test fails then do not use and contact your ClimaTemp reseller for replacement.

**CAUTION:** The power source should be a dedicated single outlet circuit with UL listed short-circuit and ground fault protective breaker. Do not share the AC outlet with any other instrument or equipment. The minimum power supply rating and the maximum fuse size for each corresponding model are listed below.

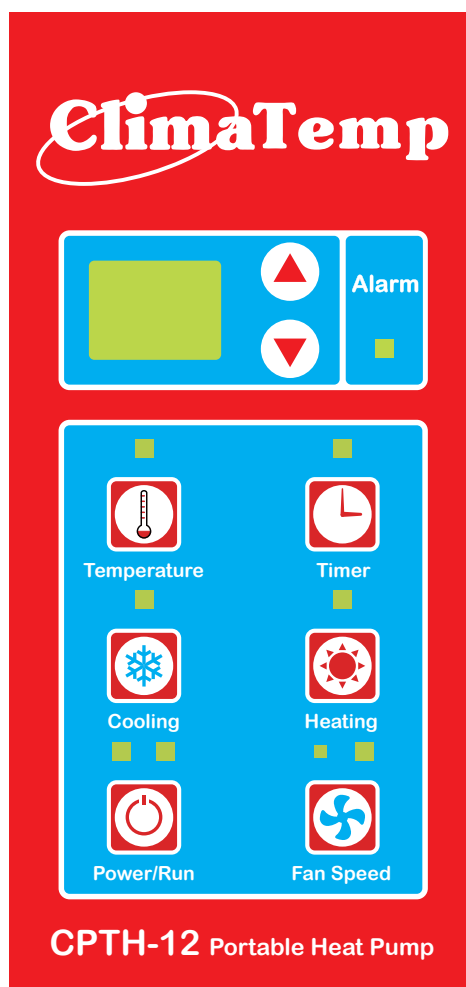


MODEL	MINIMUM POWER SUPPLY RATING	RECOMMENDED FUSE SIZE
CPTH-12	115V, single phase,60Hz,15A	15A maximum

## OPERATION

### Control Panel

Before operating the unit, it is important to familiarize yourself with the basic controls located on the control panel.





## OPERATION(cont.)

### Operating Method

#### 1. Power Switch:

After plugging into power, the power switch LED indicator will illuminate, press the POWER button to turn on and turn off the unit.

#### 2. Air volume selection:

Press Fan Speed to select the high or low air volume.

#### 3. Fahrenheit and Celsius Temperature setting:

Procedure: Press and hold the Fan Speed button while plugging the unit into the power supply; once the digital display shows CF, release the Fan Speed button. If the current setting is in Celsius, the indicator will display °C. If the current setting is in Fahrenheit, the indicator will display °F. Press the temperature button to change to C or press the timer button to change to F. Store the settings by pressing the Fan Speed button.

#### 4. To operate in Heating mode.

Make sure Power button is on and then press the heating button.

Press the temperature button, the temperature button will start to blink. Press the up and down adjustment button on the display to set the temperature you desire. Set point in heat mode is (55°F-80°F). Once selected wait 15 seconds and your preferred temperature will be set. The display will show the temperature of the environment (as default). The operating range is (40°F ~80°F). When the environment temperature is lower than the setting temperature, the compressor will engage, producing warm air. When the environment temperature is higher than the setting temperature, the compressor will disengage and shut off.

*Note: During startup in Heat mode, the unit may take a few moments before full heat mode is engaged.*

*Note: The CPTH-12 is equipped with auto defrost. During Heat mode, if needed, the unit will engage automatic defrost control. During auto defrost the unit will display "dB" and the fan will disengage. This is normal operation.*

*Note: For component and compressor protection there will be a 3-minute delay when switching from Cool mode to Heat mode while compressor is engaged.*

**5. To operate in Cooling mode.**

**Make sure Power button is on then press the cooling button.**

**Press the temperature button, the temperature button will start to blink. Press the up and down adjustment button on the display to set the temperature you desire. Once selected wait 15 seconds and your preferred temperature will be set. The display will show the temperature of the environment (as default). The range is (65°F ~95°F ). When the environment temperature is higher than the setting temperature, the compressor will engage, producing cold air. When the environment temperature is lower than the setting temperature, the compressor will disengage and shut off.**

*Note: For component and compressor protection there will be a 3-minute delay when switching from Heat mode to Cool mode while compressor is engaged.*

*Note: This unit is equipped with state-of-the-art Cold Plasma Needlepoint Bipolar Ionization Technology. The ionizer is engaged and operating in Cool mode, Heat mode and Fan only modes.*

**6. Fan Only:**

**To operate in fan mode, make sure unit is set in cooling mode. Then press the temperature UP button to its highest setting (95°F). This will disengage the compressor and operate the unit in fan mode.**

*Note: By placing the unit in Fan Only mode the unit can be used as a straight purifier without cooling or heating.*

**7. Timer setting:**

**Press timer button, the timer LED turns on, temperature light will turn off, the display will show the time our unit will turn off (12 hours), press up and down button to change the time (1-12 hours), 3 seconds later the display will show the temperature of the environment again, the temperature light will turn on.**

**8. Alarm indicator/Unit error:**

**When the unit's condensate bucket is full of water, or an overcurrent, overheat, or other trouble is detected by the unit, the alarm indicator will turn on. When the unit stops working, LED display will show the error code.**

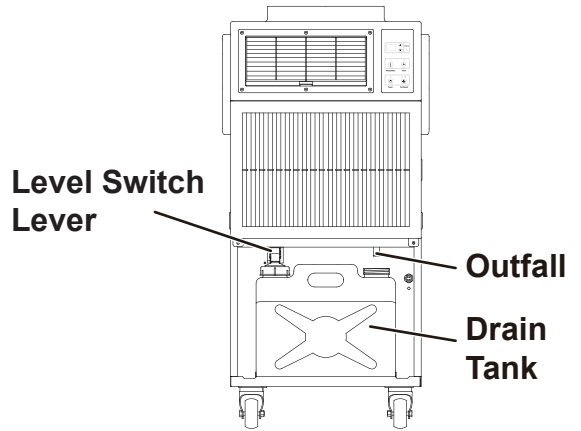
**LED Display Error Codes:**

<b>Code</b>	<b>Description</b>	<b>Reason</b>
<b>E1</b>	<b>Evaporator Inlet air sensor problem</b>	<b>Connector problem or sensor damage.</b>
<b>Eb</b>	<b>Evaporator coil temperature sensor problem</b>	<b>Connector problem or sensor damage.</b>
<b>E3</b>	<b>Condenser coil temperature sensor problem</b>	<b>Connector problem or sensor damage.</b>
<b>EL</b>	<b>Condenser coil temperature sensor problem</b>	<b>Connector problem or sensor damage.</b>
<b>P</b>	<b>Pressure too high in refrigerant system</b>	<b>Surrounding Temperature too high in cooling mode. Air exhaust is obstructed. Surrounding Temperature too low in heat mode. Check and clean filters.</b>
<b>F</b>	<b>Overheat protection</b>	<b>The evaporator is dirty or blocked. The hot air exhaust is blocked. The fan motor is faulty.</b>
<b>FL</b>	<b>Water level warning/ Pump failure</b>	<b>Water Tank Full/ Check pump.</b>
<b>dB</b>	<b>Automatic Defrost</b>	<b>The machine is in defrost mode. This is normal operation. Unit is not malfunctioning.</b>


**OPERATION (cont.)**

**Empty the Drain Tank**

During operation condensate water accumulates in the drain tank. When the drain tank becomes full, an audible chirping sound can be heard and LED displays “FL”, then the unit will cut off the power supply and stop.



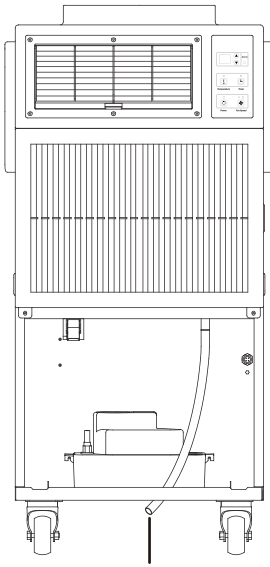
*Note: If you want to empty the drain tank, please wait after the unit stops.*

1. Open the drain tank door.
2. Carefully remove the water tank and do not damage the top components on the top of water tank.
3. Empty the drain tank by pouring the water out.
4. Return the drain tank to the unit with the  **RIGHT SIDE OUT** sticker facing outward. Make sure the water tank is in correct position otherwise it may leak and damage surrounding areas.
5. Close the drain tank door.
6. Press the Power button to restart the unit.

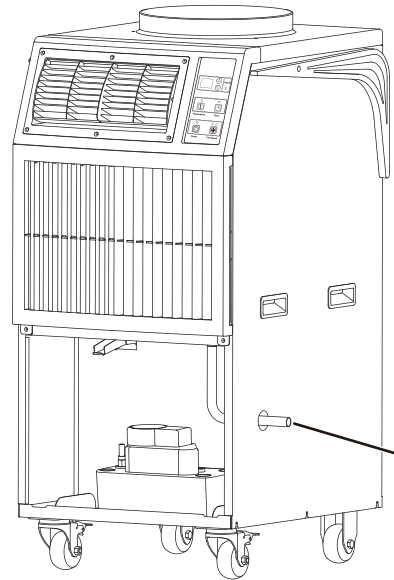


**OPERATION (cont.)**

**Note: The condensed water can be directly discharged through a gravity drain. Remove the drain tank, connect the drain outlet directly to the machine through the bottom side discharge hose or out through the right-side discharge hose outlet.**



**Bottom Side Discharge Horse**



**Right Side Discharge Horse**

**Optional Condensate Pump:**

**Installation procedure for ClimaTemp condensate plug and play pumps.**

1. Open bucket door and remove condensate bucket.
2. Mount the condensate pump with the provided screws to the back wall of the rear inside panel. Holes are pre-drilled and ready for easy installation.
3. Attach the pumps wiring harness by aligning the mating connector to the female connection port and tighten by turning the connection until tight.
4. Attach condensate line discharge from the portable unit to the condensate pump drain hole.
5. Connect the remaining condensate hose to the pump drain outlet spout.
6. Please check operation and draining after installation. Make sure drainage line is free of kinks and water can free flow through the condensate line.

## DAILY INSPECTION & MAINTENANCE

### Empty the Drain Tank

To empty the drain tank, refer to instructions on page 13.

### Clean the Air Filters

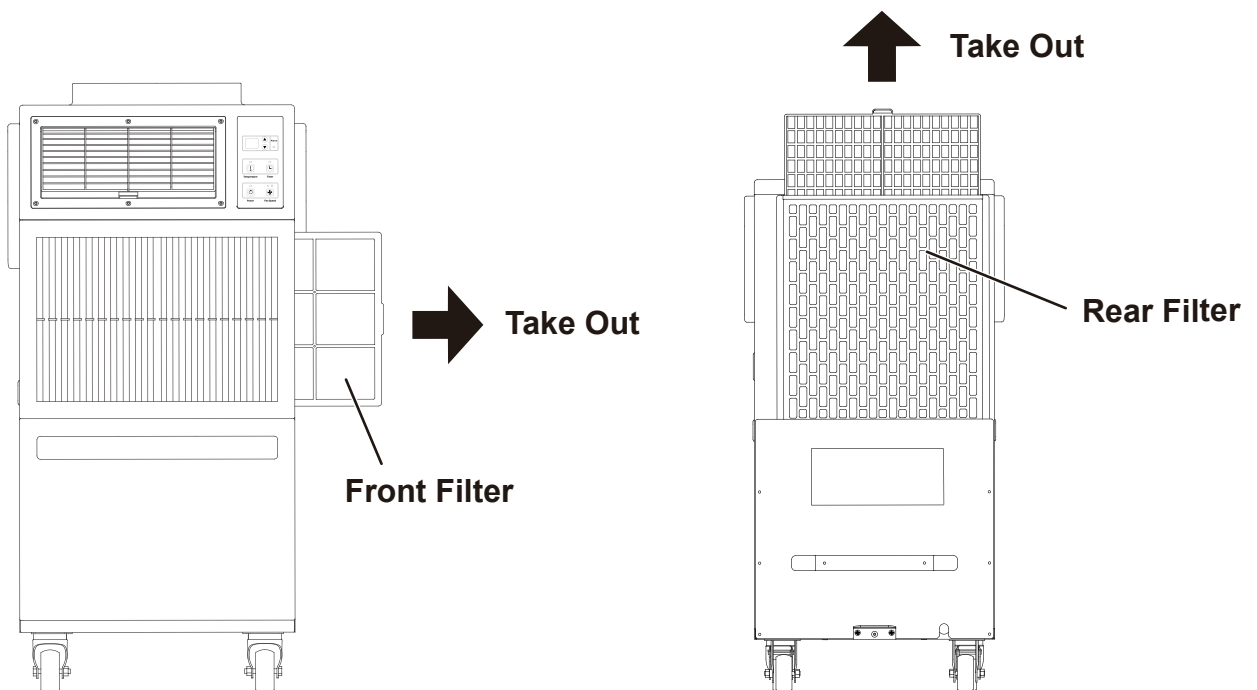
Clean the air filters once a week. If the unit is used in a dusty environment, more frequent cleaning may be required. A dirty filter can reduce air output resulting in a decrease in the cooling capacity and damage to the compressor and components.

### Filter Removal Method

1. Turn the unit off by pressing the Power button.
2. Remove the two air filters.

**Note:** To remove the front evaporator filter, slide the filter by pulling the filter out of the machine's front evaporator panel. To replace the filter slide filter back into evaporator panel.

To remove the rear condenser filter, pull filter up and out of the condenser frame. To replace filter, slide filter back into condenser frame with tab facing up.



### **Filter Cleaning Method**


- 1. Remove filters. Dust, dirt and particulate can be removed from the filter with a vacuum cleaner, or rinse in cold or lukewarm water. If the element is extremely dirty, wash with a neutral detergent.**
- 2. After the element has been cleaned, rinse with clean running water, allow to dry, then reinstall filters into unit.**

### **End of Season Maintenance.**

- 1. Wrap power cord on rear cord wrap holder.**
- 2. Remove all water from condensate bucket.**
- 3. After cleaning the unit completely dry with scratch resistant cloth.**
- 4. Unit should be operated in fan mode (bring unit to highest set point) to dry for 2-3 hours.**
- 5. Cover unit to prevent dust and humidity.**

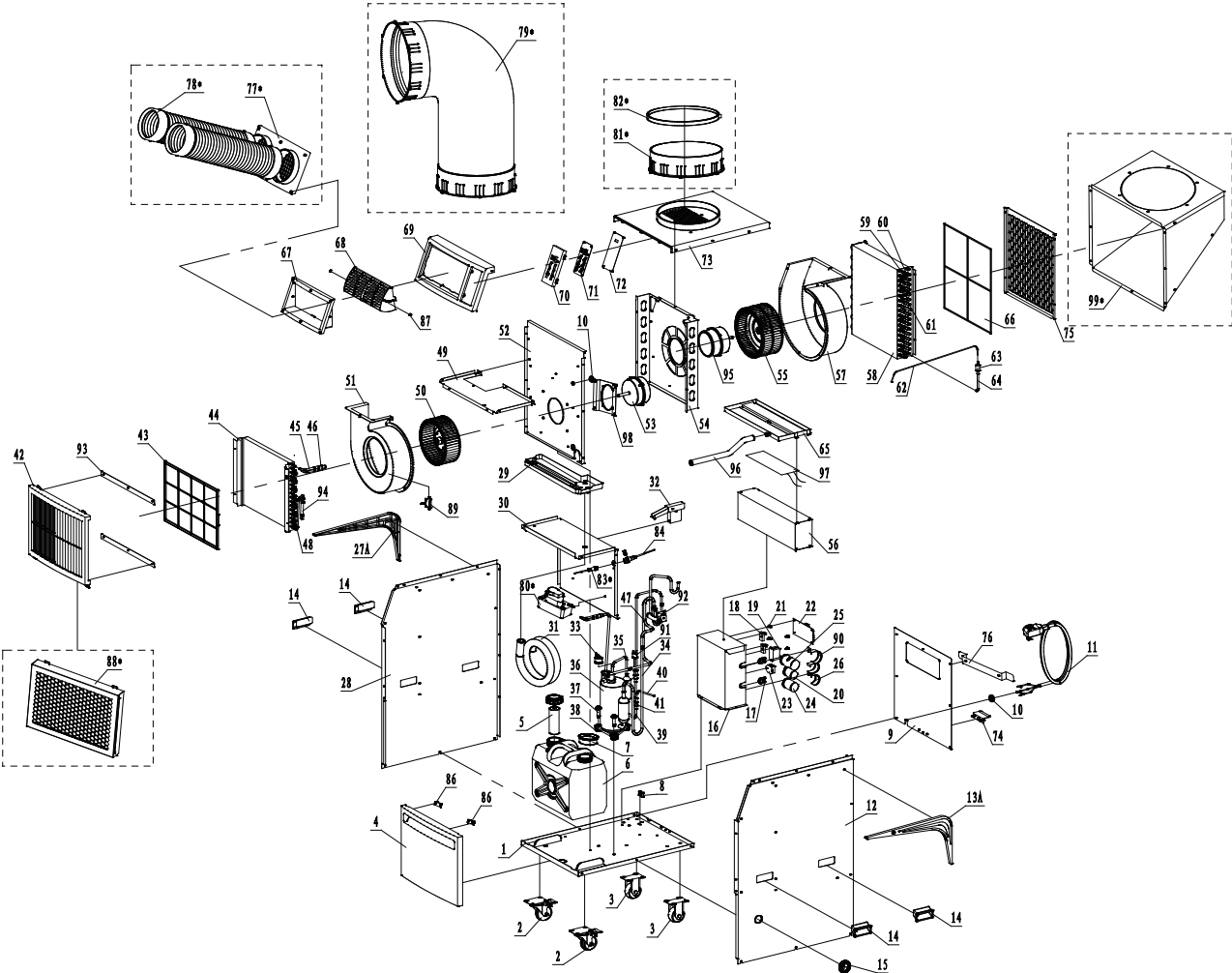
## TROUBLESHOOTING

Check the following items before calling your ClimaTemp reseller or a qualified technician.

CONDITION	POSSIBLE CAUSE	REMEDY
Unit does not operate	1. Ground fault breaker trip or breaker trip from power source.	Reset breaker or reset LCDI power cord.
	2. Drain tank is full.	Empty the drain tank.
Water leaking	1. Drain port plugged	Clear drain outlet.
	2. Drain Tank is not in the right place or inserted backwards.	Place the drain tank in the right position, note the relative position of the float and lever. Make sure  RIGHT SIDE OUT sticker is visible and facing outward.
	3. Dust and dirt particulate are on the front filter.	Clean the front filter.
	4. The water lever of drain tank is too high.	Pull out the drain tank and empty it.
No cooling or heating.	1. The surface of the condenser is dirty.	Clean (vacuum) the surface of the condenser. Do not use water or coil cleaner.
	2. Exhaust fan malfunction.	Repair, replacement of exhaust fan motor.
	3. Temperature of the external environment is too high or too low.	Use the unit only if surrounding temperature is between 65°F- 95°F (cooling) or 40°F - 80°F (heating).
	4. The capacitor of the compressor is damaged.	Replace the capacitor.
	5. Input voltage is too high or too low.	Make sure voltage is correct.
	6. Compressor thermal overload protection.	Restart the unit after it has cooled down.
	7. Compressor motor is damaged.	Repair, replace Compressor motor if needed.



Parts List Breakdown



OPERATION MANUAL

PART NO.	DESCREPTION	QTY	PART NO.	DESCREPTION	QTY
1	Base Frame Assy	1	42	Cover Plate, Upper	1
2	Swivel Wheel	2	43	Evaporator Filter Mesh	1
3	Rigid Wheel	2	44	Evaporator	1
4	Below Side Plate	1	45	Gas Vent Tube 3	1
5	Float Assy	1	46	Tee	1
6	Water Tank	1	47	Muffler 1	1
7	Tank Rubber Ring	1	48	Intake Pipe	1
8	Power Cable Clip	1	49	Outlet Plate	1
9	Rear Cover	1	50	Evaporator Centrifugal Fan	1
10	Over Line Retainer	2	51	Evaporator Turbine Assy	1
11	Power Cord (With Leakage Protection)	1	52	Up Bulkhead	1
12	Right Side Panel	1	53	Fan Motor	1
13A	Right Chafing Strip	1	54	Evaporator Turbine Board	1
14	Handle	4	55	Condenser Centrifugal Fan	1
15	Over Line Retainer	1	56	Support Box ass'y	1
16	Electrical Box	1	57	Condenser Turbine Assy	1
17	U-wire protective sleeve	2	58	Condenser	1
18	Transition Connector	2	59	Condenser inlet pipe1	1
19	Power Relay	1	60	Condenser inlet pipe2	1
20	Capacitor, Cooling Fan Motor	1	61	Liquid Collection Tee	1
21	Electric Control Board Holder	4	62	Capillary	1
22	Heating and cooling electric control board	1	63	Filter	1
23	Two-wire Connector	1	64	Condenser Outlet Pipe 1	1
24	Capacitor, Exhaust Fan Motor	1	65	Drain Pan Assembly	1
25	Capacitor, Compressor	1	66	Condenser Filter	1
26	Capacitor Clip	1	67	Outlet Window	1
27A	Left Chafing Strip	1	68	Blind Window	1
28	Left Side Panel	1	69	Outlet Side Plate	1
29	Water Tray	1	70	Electrical Box	1
30	Lower Baffle Plate	1	71	Electric Control Panel	1
31	Outlet Pipe	1	72	Cover plate, Electric box	1
32	Micro-switch, Pendulum Bracket	1	73	Top Cover	1
33	Compressor Thermal Protection	1	74	Foot Pedal	1
34	Muffler 1	1	75	Rear Protective Screen	1
35	Gas Vent Tube 1	1	76	Power Cord Hanging Bracket	1
36	Compressor	1	77*	Cold Air Exhaust Base	1
37	Compressor Pump Foot	3	78*	Cold Air Nozzles	2
38	Rubber Pump Foot	3	79*	12" Hot Air Exhaust Tube	1
39	Gas Vent Tube 2	1	80*	Water Pump	1
40	Charge Pipe	1	81*	12" Flange Connector	1
41	Charge Tee	1	82*	Stainless Steel hoop	1

PART NO.	DESCRIPTION	QTY
83*	Waterproof Joint (male)	1
84	Waterproof Joint (female)	1
86	Plastic Magnetic Door Catch	2
87	Positioning Cap	2
88*	HEPA Kit (*optional)	1
89	Ionizer	1
90	Capacitor Clamp	1
91	High Voltage Switch	1
92	Four-way Reversing Valve	1
93	Filter Screen Strip	1
94	One-way Valve	1
95	Hot Air Motor	1
96	Water Pipe	1
97	Water Pan Electric Heating Block	1
98	Cooling air motor support	1
99*	Condenser Return Air Plenum	1

**Note: \* is optional parts.**



## Limited Warranty

ClimaTemp Portables Inc. warrants its portable air conditioner products and accessories against defects in material or workmanship. Under ordinary use ClimaTemp will, at its sole discretion, repair or replace any defective product or part covered by this warranty. Warranty coverage is (12) months for all parts on the ClimaTemp product and (36) months on the compressor or compressor components. This warranty is in effect from the date of purchase on any invoicing for the end user. This Limited warranty is conditional on the return of the part or unit to the manufacturer with approval in which all goods and services are freight prepaid from the customer or distributor. This warranty does not cover malfunctions or misuse beyond ClimaTemp's control including improper operation, neglect, abuse, abnormal use, incorrect electrical connections, and failure to perform routine maintenance. Furthermore, ClimaTemp will not be responsible for improper installation that damages unit or components. Any shipping damage or improper transport is not covered under this warranty. All other products are covered by a full 1 year warranty where applicable.

DISCLAIMER OF WARRANTY EXCEPT AS EXPRESSLY PROVIDED IN THIS STANDARD WARRANTY POLICY STATEMENT, CLIMATEMP PORTABLES HEREBY EXPRESSLY DISCLAIMS ALL REPRESENTATIONS, CONDITIONS AND WARRANTIES, WHETHER EXPRESS OR IMPLIED, INCLUDING BY WAY OF EXAMPLE AND NOT LIMITATION, THE IMPLIED WARRANTIES OF TITLE, MERCHANTABILITY, NONINFRINGEMENT AND FITNESS FOR A PARTICULAR PURPOSE. LIMITATION ON LIABILITY NOTWITHSTANDING ANYTHING HEREIN TO THE CONTRARY, IN NO EVENT WILL CLIMATEMP PORTABLES BE LIABLE FOR ANY SPECIAL, INCIDENTAL, PUNITIVE OR CONSEQUENTIAL DAMAGES WHATSOEVER, INCLUDING LOSS OF PROFITS, WHETHER ARISING IN CONTRACT, TORT, WARRANTY OR OTHERWISE, EVEN IF IT HAS BEEN ADVISED OF THE POSSIBILITY OF SUCH DAMAGES. THE LIMITATIONS SET FORTH HERE WILL APPLY EVEN IF THE REMEDIES OF ERROR CORRECTION, REPAIR OR REPLACEMENT, REPERFORMANCE OF SERVICES AND REFUND OF PAYMENTS COMPLETELY FAIL OF THEIR ESSENTIAL PURPOSE. NOTWITHSTANDING ANYTHING HEREIN TO THE CONTRARY, THE LIMIT OF CLIMATEMP PORTABLES (WHETHER IN CONTRACT, TORT, NEGLIGENCE, STRICT LIABILITY, BY STATUTE OR OTHERWISE) TO CUSTOMER OR TO ANY THIRD PARTY WITH RESPECT TO WHICH SUCH CLAIM IS MADE. GOVERNING LAW AND JURISDICTION

**ClimaTemp Portables Inc.**

**844-349-5665**

**[www.Clima-Temp.com](http://www.Clima-Temp.com)**