

Chromalox®

Installation, Operation and RENEWAL PARTS IDENTIFICATION

SERVICE REFERENCE

DIVISION 4	SECTION UB
SALES REFERENCE (Supersedes PF416-11)	PF416-12
161-048444-001	
DATE	DECEMBER, 1998

UB-502D and UB-752D Forced-Air Heaters

Dimensions —

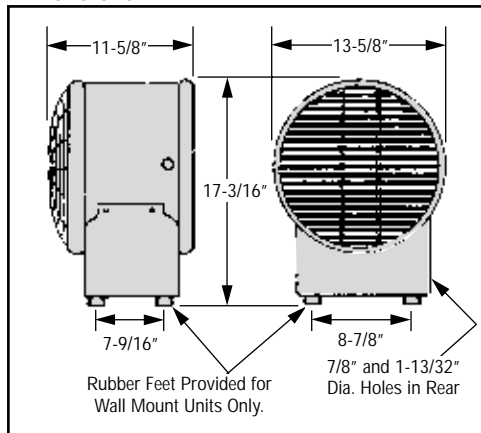


Figure 1
Mounting UB using ceiling
mounting brackets*

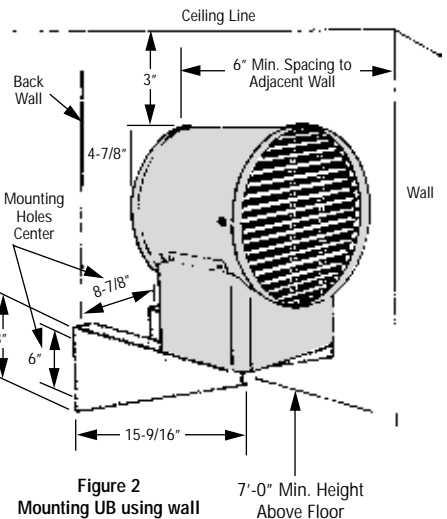
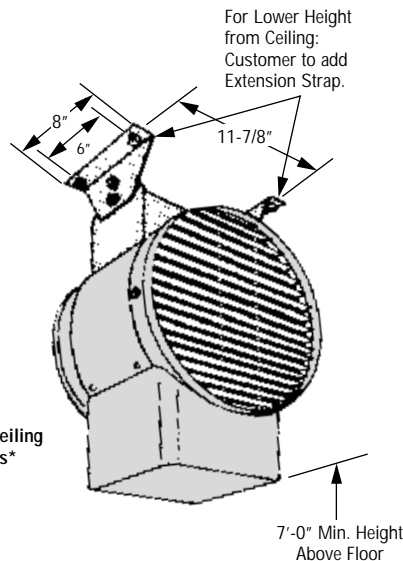


Figure 2
Mounting UB using wall
mounting brackets*

*Wall and/or Ceiling Mounting Brackets are available as an accessory option — Contact local sales representative.

Specifications —

Model	Voltage and Phase	kW	Horizontal Air Discharge (Ft.)
UB-502D	120 (1ø); 208, 240 or 480 (1ø or 3ø)	5	12.5
UB-502D-R	208, 240 or 480 (1ø or 3ø)	5	12.5
UB-752D	120 (1ø); 208, 240 or 480 (1ø or 3ø)	7.5	13
UB-752D-R	208, 240 (3ø); 480 (1ø or 3ø)	7.5	13

‡ Model Numbers with suffix "T" added (480 volts only) are equipped with a transformer, 480V Primary — 120/240V Secondary.

‡ Model Numbers with suffix "R" added are equipped with a relay.

MOUNTING

WARNING: Hazard of Electric Shock. Disconnect all power before installing heater.

Note: These heaters are designed for wall or ceiling mounting only. Other modes of mounting voids factory warranty.

1. Height above floor

A. In areas where ceiling height is more than 12 feet, recommended mounting height is approximately 10 feet to underside of heater.

B. For ceiling heights of 12 feet or less, maximum mounting height is determined by use of ceiling mounting brackets offered for these heaters. Minimum spacing to ceiling is 3" (see Figure 2).

C. In either case, minimum mounting height is 7 feet from floor to bottom of heater. (See Figures 1 and 2.)

2. Spacing to adjacent walls

A. Rear of case to back wall 4-7/8" minimum (see Figure 2).

B. Side of case to side wall 6" minimum (see Figure 2).

3. If two or more units are operated in the same enclosed space, their discharges should be directed to aid in development of mass air movement for uniform heat dispersal.

4. Controlling thermostats to individual heaters should be mounted at shoulder height on inside walls or columns.

WIRING

Note: All wiring should be done in accordance with local codes and the National Electrical Code by a qualified person.

WARNING: Hazard of Electric Shock. Any installation involving electric heaters must be effectively grounded in accordance with the National Electrical Code to eliminate shock hazard.

1. Connect heater according to the voltage and frequency specified on the nameplate and using the appropriate wiring diagram (Figures 3 thru 8).

Note: Be sure to check voltage rating of the fan motor which is either 120, 208 or 240 volt, single phase since heater circuit could be 480 volts, single or three phase.

2. If a transformer is used to step down the voltage for operating the fan motor, use appropriate wiring diagram (Figures 5 or 7).

3. Heaters are not provided with a control switch and should be controlled by a magnetic contactor (integral or external) and a separately mounted thermostat. External contactor is not necessary with heaters having a model number suffixed with the letter "R".

4. Protection against overheating is provided by an internal automatic thermal cutout which opens the electric circuit if the normal air-flow is restricted or stopped. Cutout automatically energizes heater on removal of the obstruction.

WARNING: Users should install adequate back-up controls and safety devices with their electric heating equipment. Where the consequences of failure may be severe, back-up controls are essential. Although the safety of installation is the responsibility of the user, Chromalox will be glad to make equipment recommendations.

OPERATION

DANGER:

1. Do not restrict air-flow through the heater by placing fabric or other obstructions in front of or behind the heaters. With some combustible materials, the resulting high discharge temperatures could cause a fire.

2. This heater is not intended for use in hazardous atmospheres where flammable vapors, gases, liquids or other combustible atmospheres are present as defined in the National Electrical Code. Failure to comply can result in explosion or fire. For these applications see Bulletin PDS CXH-EP PF305.

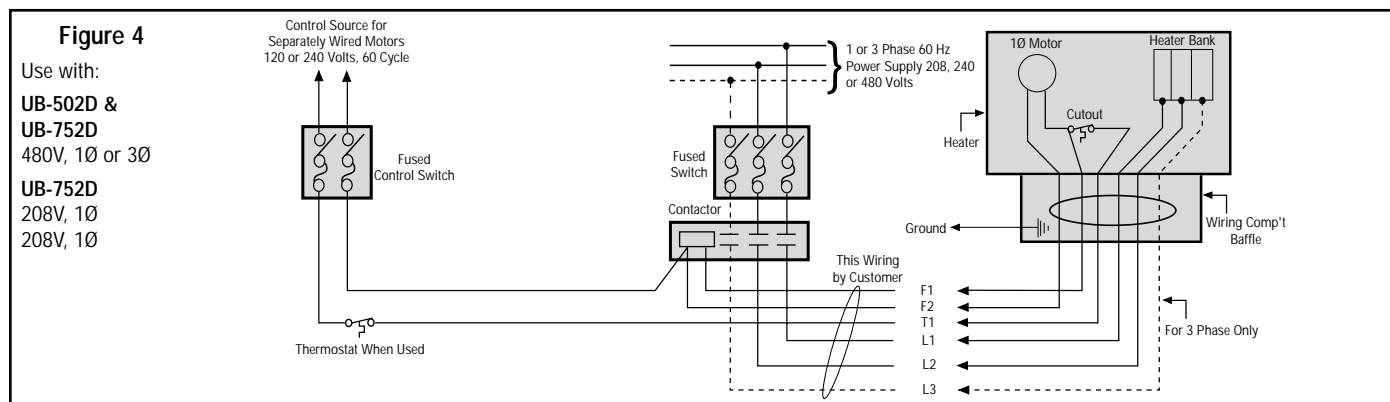
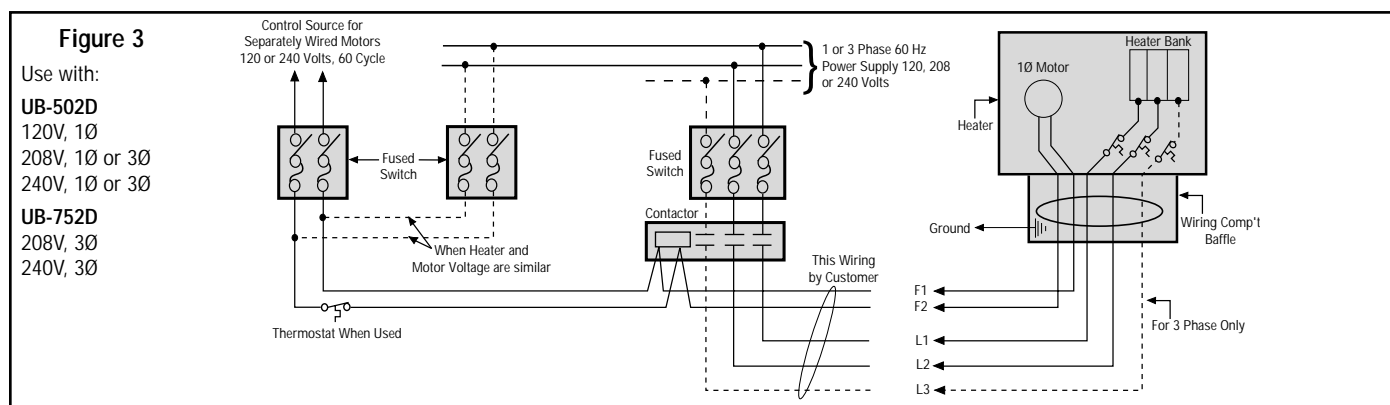
MAINTENANCE

WARNING: Turn off all power to service heater. Do not attempt to service heater while unit is operating as there is hazard of electric shock, injury from operating fan, and burns from hot heating elements.

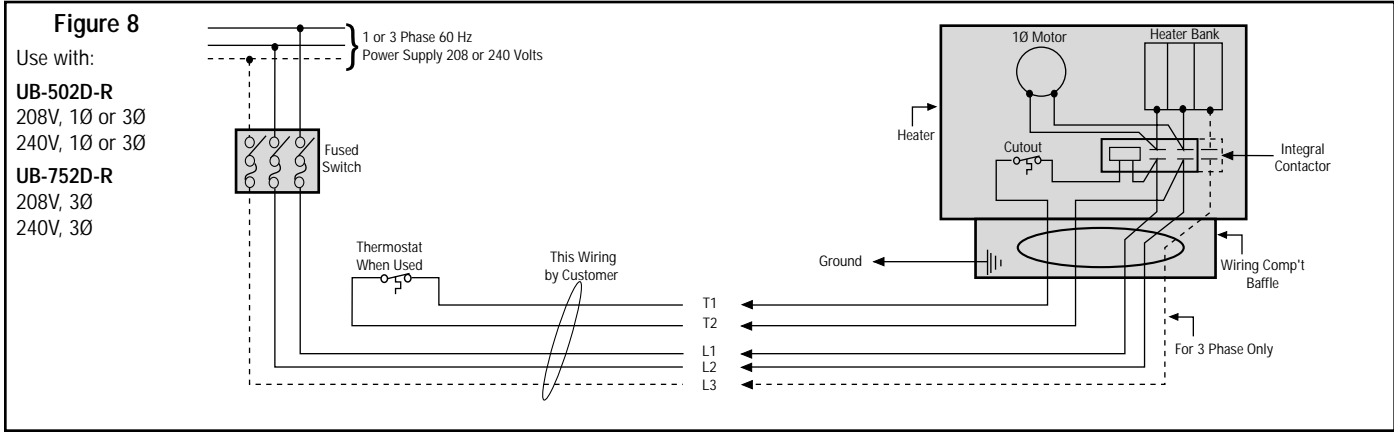
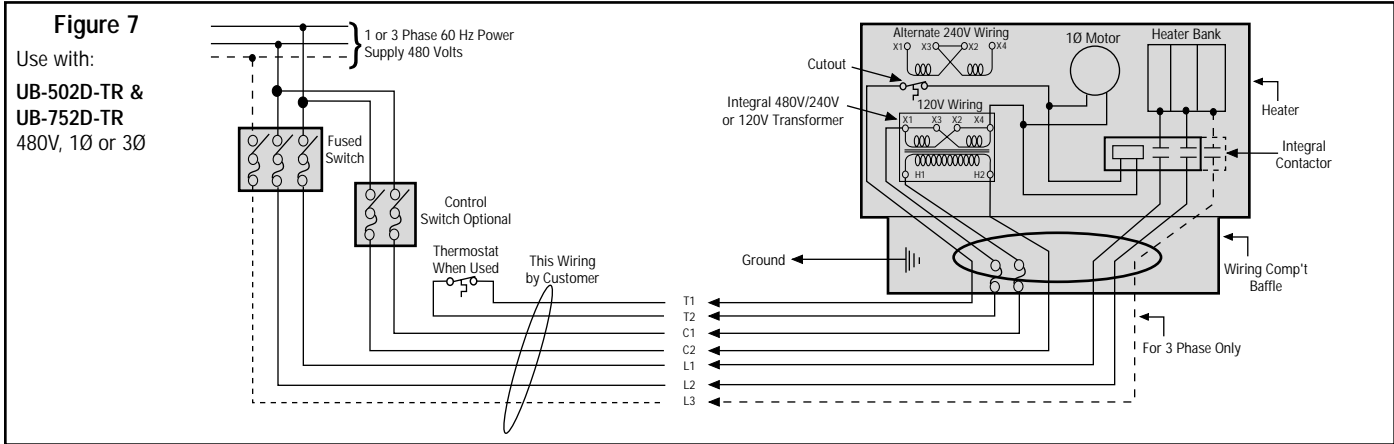
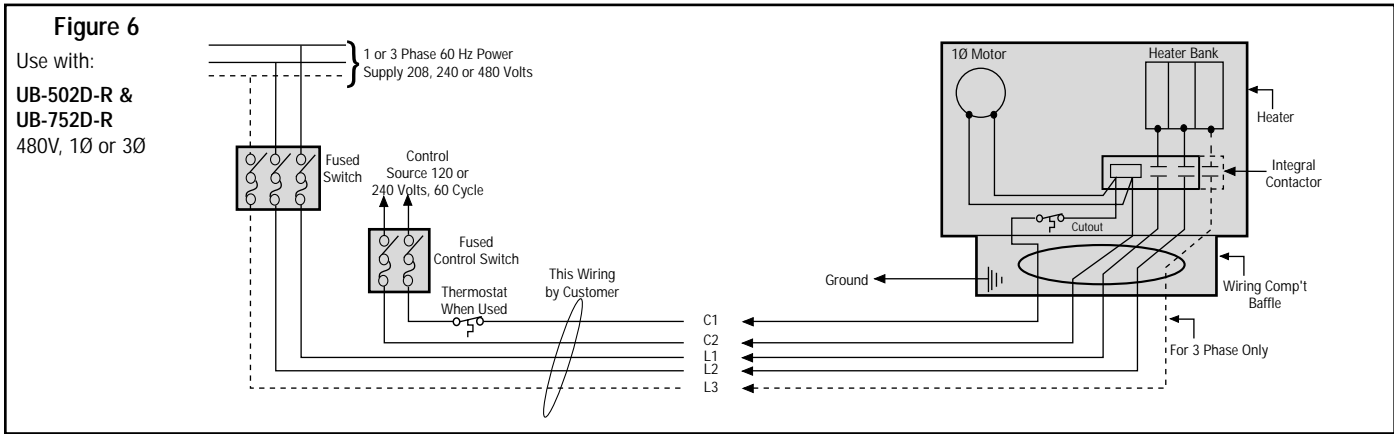
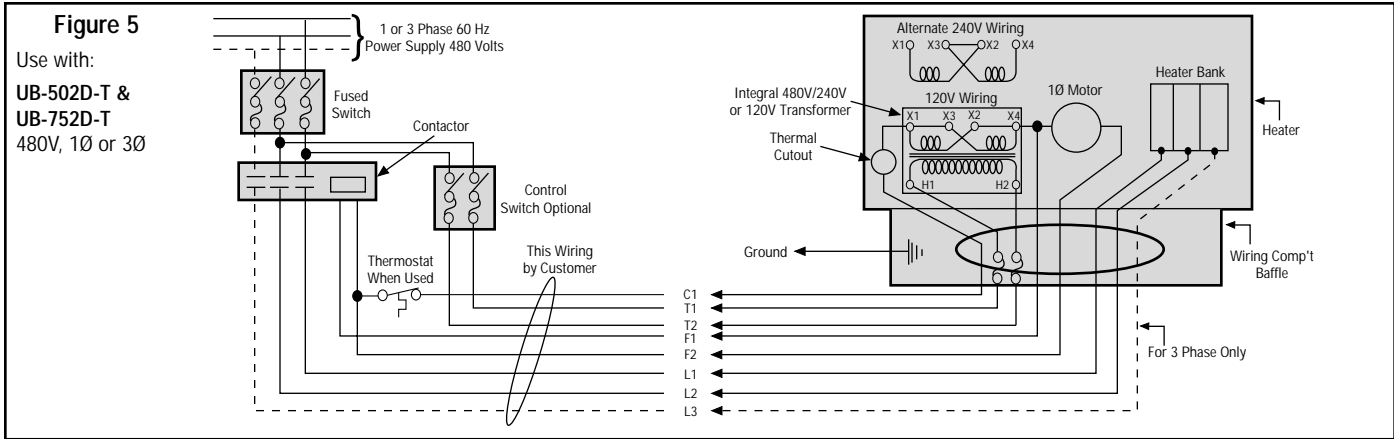
1. Fan motors in these heaters are provided with sealed ball bearings, factory lubricated, requiring no further lubrication under normal service conditions.

2. Following long periods of idleness, heater should be vacuumed before start-up, to remove accumulated combustible particles which otherwise may smoke or incinerate on initial heat up.
3. Periodically inspect all electrical connections and terminals to avoid electrical wiring difficulties. Inspect all wiring for frayed or worn insulation.

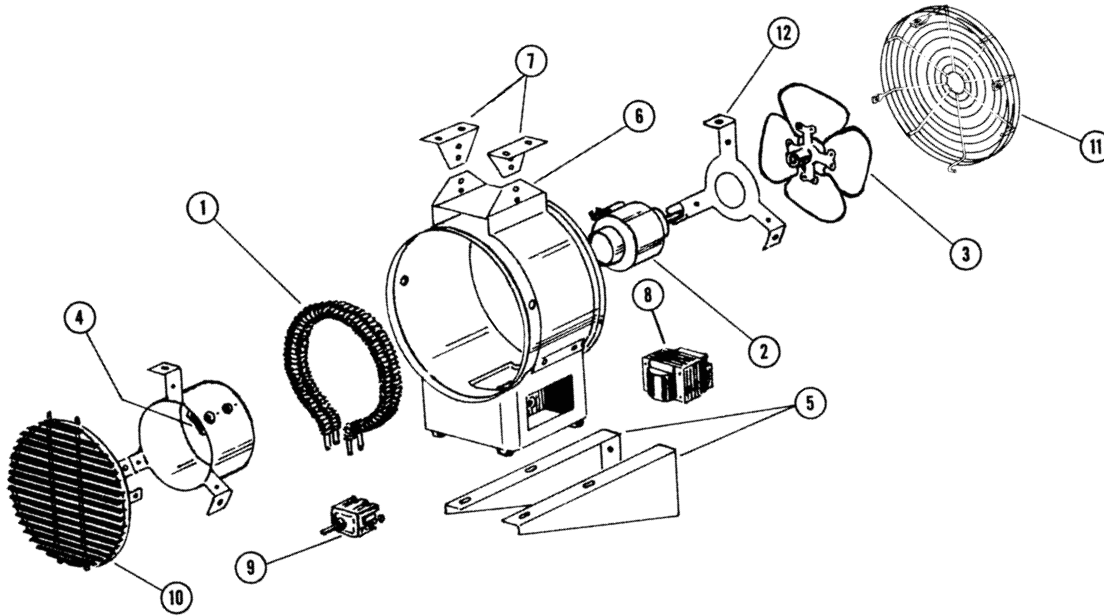
WIRING DIAGRAMS



WIRING DIAGRAMS



RENEWAL PARTS IDENTIFICATION



Volts	Phase	① Heating Element	② MOTORS			③ Fan	④ Thermal Cutout	⑧ Transformer	
			120V	208V	240V				
UB-502D	120	1	118-045259-001 (3)	193-302120-009	-----	-----	112-045408-006	300-049200-006 (3)	-----
UB-502D	208	1 or 3	118-045259-002 (3)	193-302120-009	193-302120-009	-----	112-045408-006	300-049200-006 1ø (2) ‡ 300-049200-006 3ø (3) ‡	-----
UB-502D	240	1 or 3	118-045259-003 (3)	193-302120-009	-----	193-302120-009	112-045408-006	300-049200-006 1ø (2) ‡ 300-049200-006 3ø (3) ‡	-----
UB-502D*	480	1 or 3	118-045259-004 (3)	193-302120-009	-----	193-302120-009	112-045408-006	300-049200-006 (1)	315-303675-001
UB-752D	208	1 or 3	118-045259-006 (3)	193-302120-009	193-302120-009	-----	112-045408-005	300-049200-006 1ø (1) 300-049200-006 3ø (3) ‡	-----
UB-752D	240	1 or 3	118-045259-007 (3)	193-302120-009	-----	193-302120-009	112-045408-005	300-049200-006 1ø (1) 300-049200-006 3ø (3) ‡	-----
UB-752D*	480	1 or 3	118-045259-008 (3)	193-302120-009	-----	193-302120-009	112-045408-005	300-049200-006 (1)	315-303675-001

‡ Note: Only one thermal cutout is used if a Transformer and/or Relay is used.

Note: Part numbers suffixed by a number in () indicates quantity of same part number used.

* Fusing Parts	Part Number
Fuse 3 Amp 600V KTK-3	128-047763-007 (2)
Fuse Block Barrier	129-048475-001 (1)
Fuse Block	129-048473-001 (2)

PARTS COMMON TO ALL HEATERS

⑤ Wall Bracket Set	168-026844-002
⑥ Ceiling Mounting Support Set (Includes ⑦)027-044419-002
⑦ Ceiling Suspension Bracket027-033363-001 (2)
⑩ Louver182-047073-002
⑪ Motor Mounting Frame194-045254-001
⑫ Grille134-119147-002

RENEWAL PARTS IDENTIFICATION

⑨ RELAYS

Model	Volts	Phase	Motor	Relay
UB-502D	208	1	120V	072-303180-011
UB-502D	208	1	208V	072-303180-016
UB-502D	208	3	120V	072-303180-007
UB-502D	208	3	208V	072-303180-013
UB-502D	240	1	120V	072-303180-011
UB-502D	240	1	240V	072-303180-016
UB-502D	240	3	120V	072-303180-007
UB-502D	240	3	240V	072-303180-013
UB-502D	480	1	120V	072-303180-011
UB-502D	480	1	240V	072-303180-016
UB-502D	480	3	120V	072-303180-007
UB-502D	480	3	240V	072-303180-013
UB-752D	208	1	120V	-----
UB-752D	208	1	208V	-----
UB-752D	208	3	120V	072-303180-007
UB-752D	208	3	208V	072-303180-013
UB-752D	240	1	120V	-----
UB-752D	240	1	240V	-----
UB-752D	240	3	120V	072-303180-007
UB-752D	240	3	240V	072-303180-013
UB-752D	480	1	120V	072-303180-011
UB-752D	480	1	240V	072-303180-016
UB-752D	480	3	120V	072-303180-007
UB-752D	480	3	240V	072-303180-013

WARRANTY AND LIMITATION OF REMEDY AND LIABILITY

Chromalox warrants only that the Products and parts manufactured by Chromalox, when shipped, and the work performed by Chromalox when performed, will meet all applicable specification and other specific product and work requirements (including those of performance), if any, and will be free from defects in material and workmanship under normal conditions of use. All claims for defective or nonconforming (both hereinafter called defective) Products, parts or work under this warranty must be made in writing immediately upon discovery, and in any event, within one (1) year from delivery, provided, however all claims for defective Products and parts must be made in writing no later than eighteen (18) months after shipment by Chromalox. Defective and nonconforming items must be held for Chromalox's inspections and returned to the original f.o.b. point upon request. THE FOREGOING IS EXPRESSLY IN LIEU OF ALL OTHER WARRANTIES WHATSOEVER, EXPRESS, IMPLIED AND STATUTORY, INCLUDING, WITHOUT LIMITATION, THE IMPLIED WARRANTIES OF MERCHANTABILITY AND FITNESS FOR A PARTICULAR PURPOSE.

Notwithstanding the provisions of this WARRANTY AND LIMITATION Clause, it is specifically understood that Products and parts not manufactured and work not performed by Chromalox are warranted only to the extent and in the manner that the same are warranted to Chromalox by Chromalox's vendors, and then only to the extent that Chromalox is reasonably able to enforce such warranty, it being understood Chromalox shall have no obligation to initiate litigation unless Buyer undertakes to pay all cost and expenses therefor, including but not limited to attorney's fees, and indemnifies Chromalox against any liability to Chromalox's vendors arising out of such litigation.

Upon Buyer's submission of a claim as provided above and its substantiation, Chromalox shall at its option either (i) repair or replace its Products, parts or work at the original f.o.b. point of delivery or (ii) refund an equitable portion of the purchase price.

THE FOREGOING IS CHROMALOX'S ONLY OBLIGATION AND BUYER'S EXCLUSIVE REMEDY FOR BREACH OF WARRANTY, AND IS BUYER'S EXCLUSIVE REMEDY AGAINST CHROMALOX FOR ALL CLAIMS ARISING HEREUNDER OR RELATING HERETO WHETHER SUCH CLAIMS ARE BASED ON BREACH OF CONTRACT, TORT (INCLUDING NEGLIGENCE AND STRICT LIABILITY) OR OTHER THEORIES, BUYER'S FAILURE TO SUBMIT A CLAIM AS PROVIDED ABOVE SHALL SPECIFICALLY WAIVE ALL CLAIMS FOR DAMAGES OR OTHER RELIEF, INCLUDING BUT NOT LIMITED TO CLAIMS BASED ON LATENT DEFECTS. IN NO EVENT SHALL BUYER BE ENTITLED TO INCIDENTAL OR CONSEQUENTIAL DAMAGES AND BUYER SHALL HOLD CHROMALOX HARMLESS THEREFROM. ANY ACTION BY BUYER ARISING HEREUNDER OR RELATING HERETO, WHETHER BASED ON BREACH OF CONTRACT, TORT (INCLUDING NEGLIGENCE AND STRICT LIABILITY) OR OTHER THEORIES, MUST BE COMMENCED WITHIN ONE (1) YEAR AFTER THE DATE OF SHIPMENT OR IT SHALL BE BARRED.

W2008M

Chromalox[®]
PRODUCT SERVICE
2150 N. RULON WHITE BLVD., OGDEN, UT 84404
Phone: 1-800-368-2493

WIEGAND INDUSTRIAL DIVISION
EMERSON ELECTRIC CO.

