

HD3D Hose Down Corrosion Resistant Blower Heater

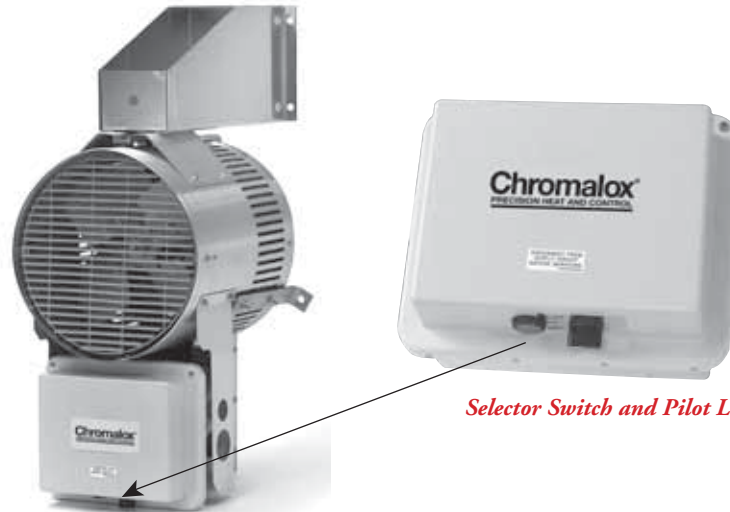
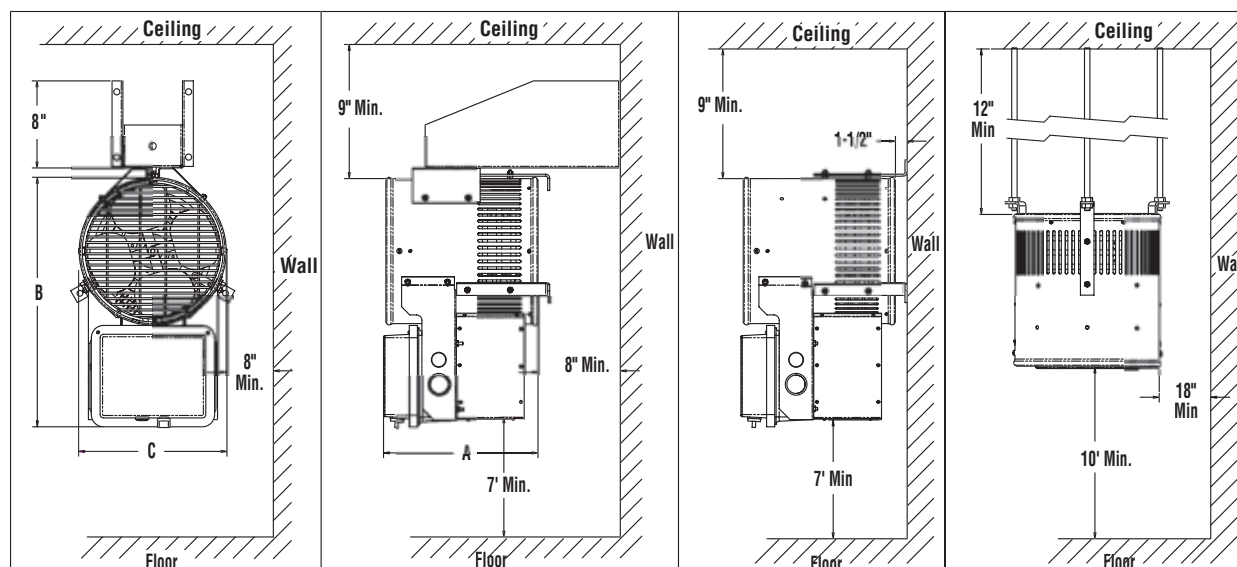
- 2 - 39 kW
- 6,800 - 133,110 Btuh
- 120, 208, 240, 277, 480 and 575 Volt
- 1 & 3 Phase
- Built-in Controls
- Vertical or Horizontal Airflow
- Wall or Ceiling Mounted Configurations

Advantages

Because it has an adjustable discharge grille to direct air flow, and can be wall or ceiling (plus swivel) mounted, the HD3D heater may be used in a variety of heating applications:

- Primary Heating
- Supplementary Heating
- Dual System Heating
- Spot Heating
- Entryway Air-Curtain Heating
- Freeze Protection

Dimensions (Inches)



Selector Switch and Pilot Light



Description

This reliable, rugged, self-contained HD3D heater is an ideal heat source for freeze protection or comfort heat in dusty/dirty/corrosive non-hazardous environments. Standard HD3D heaters include low profile stainless steel wall/ceiling mounting brackets that can be used to mount directly to a wall for horizontal airflow perpendicular to the wall. These brackets can also be used to mount the heater directly to the ceiling for vertical airflow.

Dimensions (Inches)

kW	Volts	Phase	A	B	C
2.0 - 7.5	All	1, 3	13-1/2	24-1/2	15
10.0 - 20.0	All	1, 3	17-1/4	28	15-1/8
25.0 - 39.0	480, 575	3	21-1/4	32-1/4	19-1/2

Applications

Waste Water Treatment Plants, Coal Handling Areas, Food Processing Plants, Foundries, Steel Mills, Cement Plants, Ships, Construction Sites, Car Washes, Swimming Pool Areas, Canneries, Hose Down (for cleaning). Corrosion Resistant for Harsh Environments and Dairies.

HD3D Hose Down Corrosion Resistant Blower Heater (cont'd.)

Construction

Roll Formed Case is constructed of 20 gauge corrosion resistant type 304 stainless steel.

Adjustable Discharge Grille directs air flow up or down as needed.

NEMA 4X Control Enclosure houses the heater controls, contactors and control voltage transformer, easily accessible from front of heater.

Heating Elements — High quality, long-life, Stainless Steel Fintube® (type 316) offers maximum resistance to corrosion.

Totally Enclosed Motor — The motor is permanently lubricated, ball bearing type and is epoxy painted for moisture and corrosion resistance.

Dynamically Balanced Fan — Aluminum fan is epoxy coated and provides optimum air flow across the heating elements.

Features

Transformer provides a 120V control circuit (24V optional). Standard on all units except 2 kW and 3 kW, 120V.

Heavy Duty Contactors for heating circuit and motor are included. (Not furnished on 120V, 2 and 3 kW units)

Automatic Reset Thermal Cutout is provided for fast heat response and overheat protection.

Fan Time Delay Relay dissipates residual heat build-up after shutdown.

Low Profile Fixed Wall & Ceiling Mounting Bracket (Non Swiveling)

Optional Features

- Integral Thermostat*
 - 40°F to 90°F (This Thermostat Range Supplied Unless Otherwise Specified)
 - 55°F to 105°F
- Pilot Light*
 - Green Indicates Power On
- Selector Switch (3 position) — Heater On,* Off or Fan Only Operation for Heater
- Manual Reset Cutout
- Epoxy Painted Stainless Steel Case
- 24V Control Circuit

Accessories

Universal Swivel Wall & Ceiling Brackets Ordering Information

Model	PCN	Used With	Stock Status
USB-1	520604	HD3D 200 to 750	S
USB-2	520612	HD3D 1000 to 2000	S
USB-3	520620	HD3D 2500 to 4000	S

External Drip Shields Ordering Information

Model	PCN	Used With	Stock Status
HD3DS-1	520639	HD3D 200 to 750	S
HD3DS-2	520647	HD3D 1000 to 2000	S
HD3DS-3	520655	HD3D 2500 to 4000	S

Field Installable Disconnect Kit

The disconnect kit consists of a complete liquid tight assembly, including a 3-pole 48 Amp Switch, power terminal block and all the hardware to mount to the main heater enclosure. Positive action to remove all power from enclosure.

Ordering Information

Model	PCN	Used With	Stock Status
DS-50HD	520663	All	S

