

PRODUCT INFORMATION PACKET



Model No: T1202
Catalog No: T1202
2 HP Jet Pump Motor, 1 phase, 3600 RPM, 230/115 V, 56J Frame, ODP
Jet Pump Motors



Regal and Century are trademarks of Regal Rexnord Corporation or one of its affiliated companies.
©2021 Regal Rexnord Corporation, All Rights Reserved. MC017097E





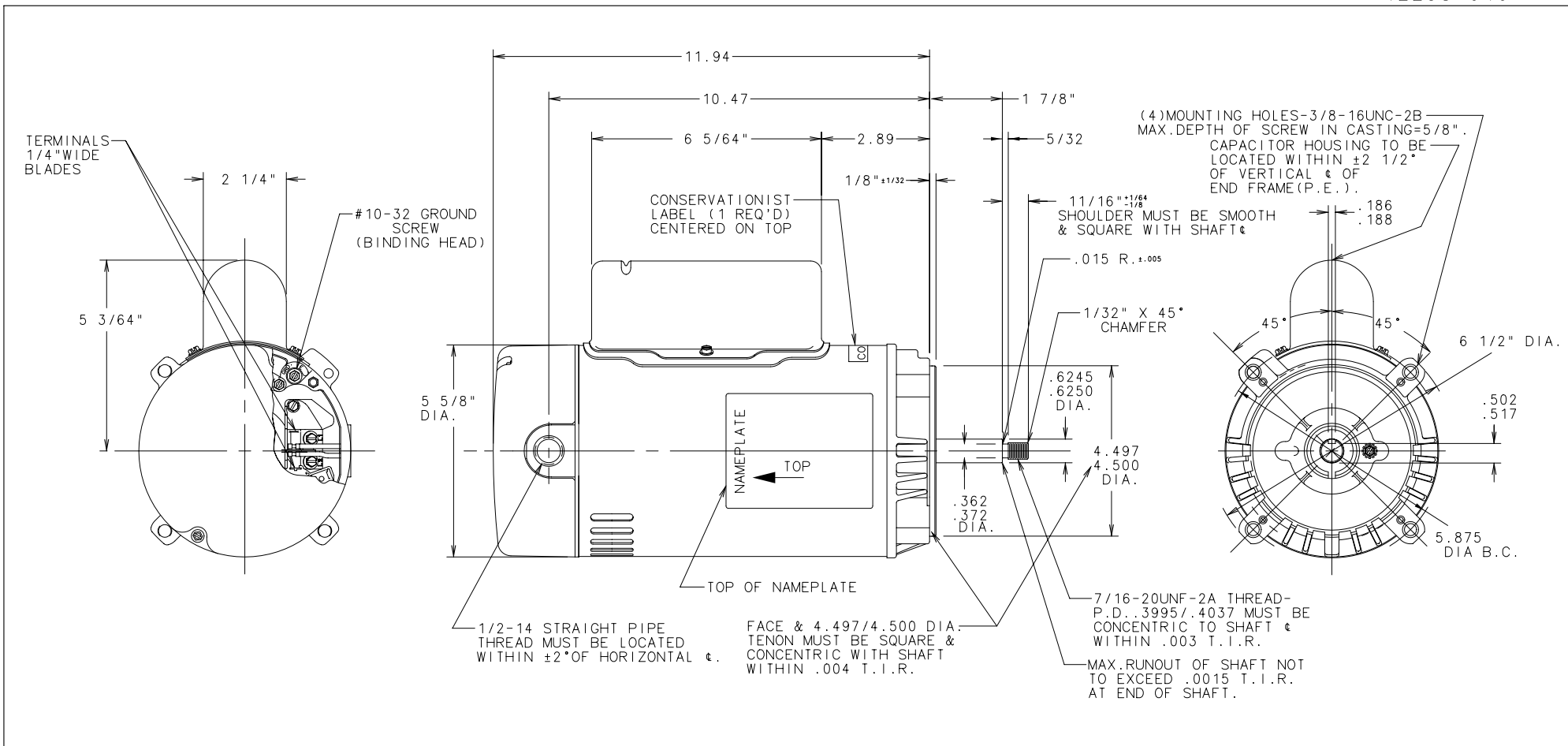
Nameplate Specifications

Output HP	2 Hp	Output KW	1.5 kW
Frequency	60 Hz	Voltage	230/115 V
Current	11.3/22.6 A	Speed	3450 rpm
Service Factor	1.2	Phase	1
Duty	Continuous	Insulation Class	B
Frame	56J	Enclosure	Open Drip Proof
Thermal Protection	Automatic	Ambient Temperature	40 °C
UL	No	CSA	Y
CE	N	Number of Speeds	1

Technical Specifications

Electrical Type	Capacitor Start Capacitor Run	Starting Method	Across The Line
Poles	2	Rotation	Counterclockwise Pump End
Mounting	Round	Drive End Bearing	Ball
Opp Drive End Bearing	Ball	Frame Material	Rolled Steel
Shaft Type	Threaded	Overall Length	14.50 in
Frame Length	8.69 in	Shaft Diameter	0.625 in
Shaft Extension	2.73 in		
Connection Drawing	627103-006	Outline Drawing	12258-010

This is an uncontrolled document once printed or downloaded and is subject to change without notice. Date Created:10/07/2021



NAMEPLATE DATA	EXTERNAL CONNECTION DIAGRAM	PERFORMANCE CURVE NO.	APPROVED SAMPLE OR REF. MODEL
MODEL: K48N2DB11A16 CUST. P/N: T1202 HP: 2 SF: 1.2 ROT: CCWPE RPM: 3450 TYPE: K CODE: J FRAME: 56J VOLTS: 115/230 AMPS: MAX AMPS: 22.6/11.3 PH: 1 HZ: 60 INS: B AMB: 40°C DUTY: CONT THERM. PROT. BRT44ABM	<p>GRD GREEN (GROUND)</p> <p>HIGH VOLTAGE SHOWN. ROTATE DIAL CCW TO 115 FOR LOW VOLTAGE.</p> <p>USE COPPER CONDUCTORS ONLY. INSTALL MOTOR WITH VENTS DOWN. ACCEPTABLE FOR FIELD WIRING</p> <p>NEUTRAL LINE</p>	K48N2W3	
		UL COMPONENT	CSA
		FILE #	CCN #
		FILE #	CLASS #
		E46412	PGJY2
		LR43341	4211-01
		ENCLOSURE: ODP	
		MOTOR ASSEMBLY REF 627527-001	
		CUSTOMER: DISTRIBUTION SERVICES	

DATE	CHANGED FROM	APPROVED ENG DRG	NOTICE	DATE	CHANGED FROM	APPROVED ENG DRG	NOTICE
				A 12/22/00	CHGD. DIM. TO SHOW NEW TERMINAL BD. CHGD. MOTOR ASSEMBLY WAS 615941-012	BLSTDT	0044758
				B 12/05/01	CHGD. LOCATION OF CONSERVATIONIST SPEAKER	MEQJLC	0144362
				C 03/22/03	NEW FORMAT	WILLBLB	0341633
				D 02/17/04	REMOVED RPM & TORQUE UPDATED ENCLOSURE BLOCK	DRFSDD	0440446
				E 10/05/04	CHGD. EXT. CONN. DIAGRAM & TERM. BOARD	DRFJAH	0444905

UNLESS OTHERWISE SPECIFIED DIMENSION TOLERANCES ARE AS FOLLOWS

INCHES .X .XX .XXX ±.02 ±.005

METRIC ±.5 ±.13

ANGLES ±.50 DEG

REMOVE BURRS AND BREAK SHARP EDGES TO .001-.015

CORNER FILLETS TO .020

MACHINE SURFACES: 125

CONFIDENTIAL: THIS DRAWING AND ITS INFORMATION ARE THE EXCLUSIVE AND CONFIDENTIAL PROPERTY OF A.O. SMITH CORP. AND ARE NOT TO BE DISCLOSED, DUPLICATED, DISTRIBUTED OR OTHERWISE USED WITHOUT THE WRITTEN CONSENT OF A.O. SMITH CORP. - ALL RIGHTS RESERVED

MATERIAL: -

PROCESS: -

DRAWN: BLB 03/22/03

APPROVED: W. BAILEY 04/01/03

REFERENCE: 11201

APPLICATION: PUMP

USER/FILE: FR48/MOTOUT

SCALE: HALF

NOTICE: 0341633

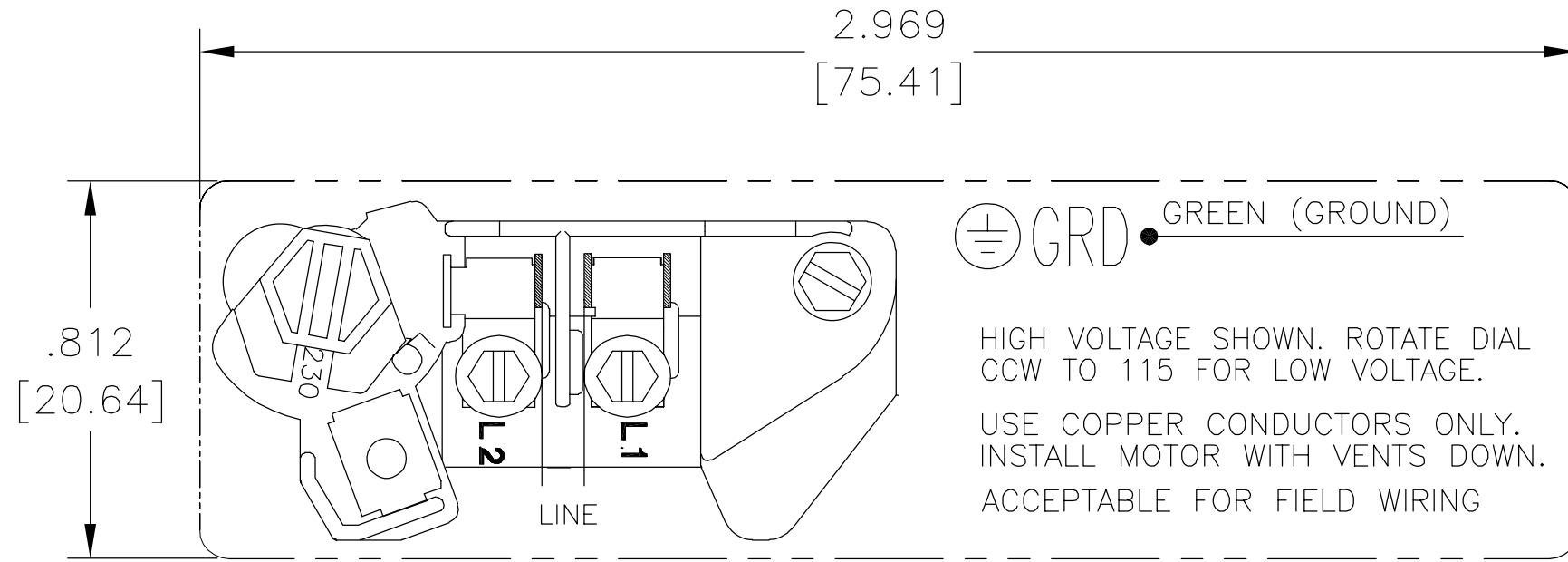
SHEET: 1

A.O. SMITH ELECTRICAL PRODUCTS COMPANY TIPP CITY, OHIO

DESCRIPTION: NEMA "C" FLANGE MOTOR OUTLINE

PART NUMBER: 12258-010

REV	ECO	REV BY	DATE	APPD	DATE
B	0001487	D.MUÑOZ	04-13-2009	M.ARGUELLES	04-13-2009



DUAL VOLTAGE

NOTE:

1. FOR USE WITH 616231 NAME PLATE BLANK.
2. — — — — INDICATES DIMENSIONAL LIMITS.
3. DIE MUST PRODUCE A LEGIBLE IMPRESSION.

GEOMETRIC CHARACTERISTICS & SYMBOLS

- ▭ FLATNESS
- STRAIGHTNESS
- ∠ ANGULARITY
- ⊥ PERPENDICULARITY (SQUARENESS)
- // PARALLELISM
- ROUNDNESS (CIRCULARITY)
- ⊘ CYLINDRICITY
- △ PROFILE OF ANY SURFACE
- ⌒ PROFILE OF ANY LINE
- ↑ RUNOUT
- ⊕ TRUE POSITION
- ◎ CONCENTRICITY
- ⊖ SYMMETRY

UNLESS OTHERWISE SPECIFIED
DIM. TOLERANCES ARE AS FOLLOWS:

INCH	±.1	±.02	±.005	±.0005
mm	±0.5	±0.13	±0.013	

ANG. ±.50 DEG

REMOVE BURRS & BREAK SHARP EDGES:

INCH	.003-.015	mm	0.1-0.4
------	-----------	----	---------

CORNER FILLETS TO:

INCH	.020	mm	0.5
------	------	----	-----

MACHINE SURFACES:

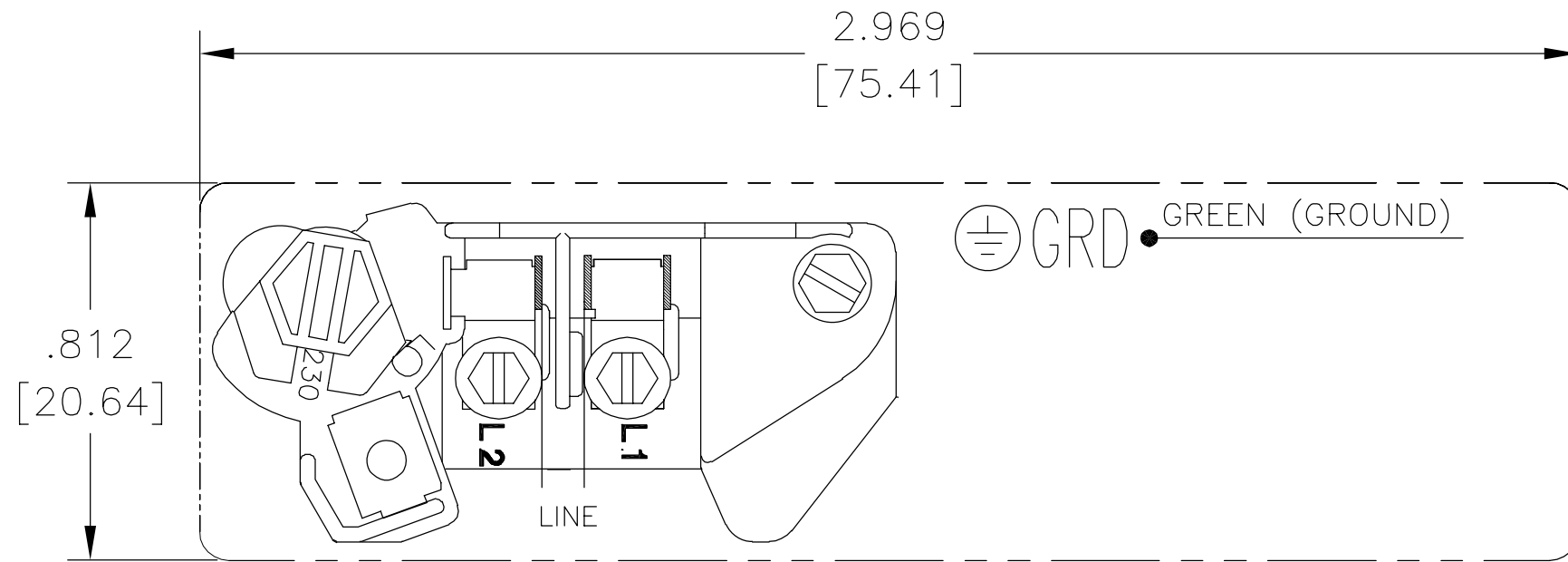
INCH	125	mm	3.2
------	-----	----	-----

METRIC DIMS. SHOWN IN [BRACKETS]

DR BY:	Daniel Muñoz	04-13-2009
APPD:		
THIRD ANGLE PROJECTION		EDS DATE 02-22-2009 FORMAT REV F
CONFIDENTIAL: THIS DRAWING AND ITS INFORMATION ARE THE EXCLUSIVE AND CONFIDENTIAL PROPERTY OF A.O. SMITH CORP. AND ARE NOT TO BE DISCLOSED, DUPLICATED, DISTRIBUTED OR OTHERWISE USED WITHOUT THE WRITTEN CONSENT OF A.O. SMITH CORP. -ALL RIGHTS RESERVED. ASME Y14.5M 1994		

AC Smith innovation has a name.		ELECTRICAL PRODUCTS COMPANY A DIVISION OF A. O. SMITH CORPORATION	
DESCRIPTION			
CONNECTION DIAGRAM EXTERNAL			
SIZE	A	DWG NO	627103-006
SCALE	NONE		SHEET 1

REVISION:	ECO	REVISADO POR:	FECHA:	APROBADO POR:	FECHA:
B	0001487	D.MUÑOZ	04-13-2009	M.ARGUELLES	04-13-2009



VOLTAJE DOBLE

NOTAS:

1. PARA USARSE CON LA PLACA DE DATOS EN BLANCO 616231.
2. — — — — — INDICA LIMITES DIMENSIONALES.
3. EL DADO DEBE PRODUCIR UNA IMPRESION LEGIBLE.

CARACTERISTICAS DE GEOMETRIA Y SIMBOLOS

- ▭ PLANICIDAD
- RECTITUD
- ∠ ANGULARIDAD
- ⊥ PERPENDICULARIDAD (A ESCUADRA)
- // PARALELISMO
- REDONDEZ (CIRCULARIDAD)
- ⊘ CILINDRICIDAD
- △ PERFIL DE CUALQUIER SUPERFICIE
- ∩ PERFIL DE CUALQUIER LINEA
- ↑ VARIACION
- ⊕ POSICION REAL
- ◎ CONCENTRICIDAD
- ≡ SIMETRIA

A MENOS QUE SE ESPECIFIQUE DE OTRA MANERA, LAS TOLERANCIAS DE LAS DIMS; SON LAS SIGUIENTES:


	X	XX	XXX	XXXX
PULG	±.1	±.02	±.005	±.0005
mm	±0.5	±0.13	±0.013	

ANG. ±.50 GRADOS
ELIMINAR REBABAS Y ORILLAS FILOSAS DEL BORDE.

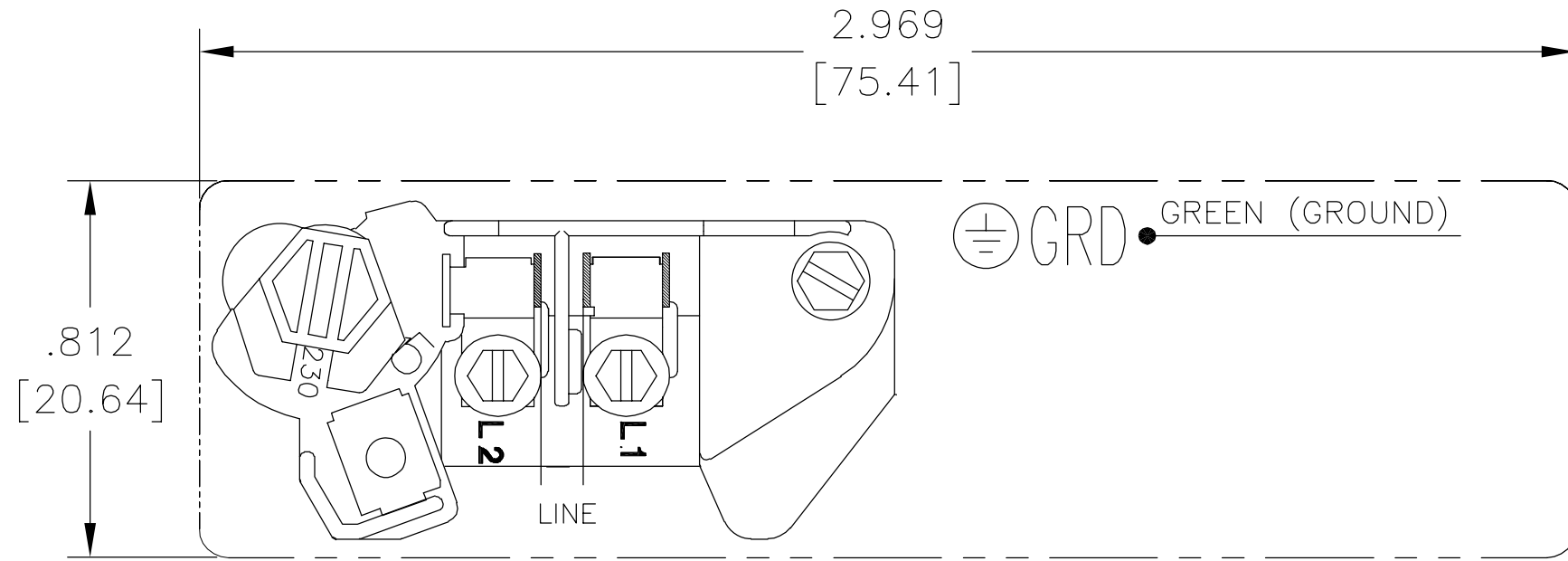
PULG .003-.015 mm 0.1-0.4
FILETEAR ESQUINA: PULG .020 mm 0.5
MAQUINAR SUPERFICIES
PULG 125 mm 3.2

DIMS METRICAS MOSTRADAS [PARENTESIS]

DIBUJADO POR: Daniel Muñoz	04-13-2009
APROBADO POR:	
TERCER ANGULO DE PROYECCION	FECHA EDS: 02-22-2009 REV. FORMATO: F
CONFIDENCIAL: ESTE DIBUJO Y SU INFORMACION SON PROPIEDAD DE USO EXCLUSIVO Y CONFIDENCIAL DE A.O.SMITH CORP. Y NO DEBERAN SER REVELADOS, DUPLICADOS, DISTRIBUIDOS O USARSE DE OTRA MANERA SIN EL CONSENTIMIENTO ESCRITO DE A.O. SMITH CORP. -TODOS LOS DERECHOS RESERVADOS.ASME Y14.5M 1994	

 ELECTRICAL PRODUCTS COMPANY <small>A DIVISION OF A. O. SMITH CORPORATION</small>	
DESCRIPCION: CONNECTION DIAGRAM EXTERNAL	
TAMAÑO: A	NUMERO DE DIBUJO: 627103-006
ESCALA:NONE	HOJA: 1

版本	ECO	编制	日期	批准	日期
B	0001487	D.MUÑOZ	04-13-2009	M.ARGUELLES	04-13-2009



- 形位公差
- 平面度
- 直线度
- ∠ 倾斜度
- ⊥ 垂直度
- // 平行度
- 圆度
- ⊘ 圆柱度
- △ 面轮廓度
- ⌒ 线轮廓度
- ↗ 圆跳动
- ⊕ 位置度
- ◎ 同轴度
- ≡ 对称度

除另有注明
尺寸公差如下:

	X	XX	XXX	XXXX
英寸	±.1	±.02	±.005	±.0005
毫米	±0.5	±0.13	±0.013	
角度	±.50 度			
清理毛刺和尖棱				
英寸	.003-.015	毫米	0.1-0.4	
内圆角				
英寸	.020	毫米	0.5	
表面粗糙度				
英制	125	米制	3.2	

米制尺寸显示在 []

绘图:	Daniel Muñoz	04-13-2009
批准:		
第三角投影		图纸格式发布日期 02-22-2009 图纸格式版本 F
机密: 本图纸及相关信息所有权归A. O. SMITH公司所有。 未经A. O. SMITH公司书面授权, 不得泄露、复制、传播或作 其他用途。—版权所有		
ASME Y14.5M 1994		

 innovation has a name.		ELECTRICAL PRODUCTS COMPANY <small>A DIVISION OF A. O. SMITH CORPORATION</small>	
名称		CONNECTION DIAGRAM EXTERNAL	
图幅	A	图号	627103-006
比例	NONE	页号	1