

PRODUCT INFORMATION PACKET



Model No: SGF2054AV2
Catalog No: SGF2054AV2

Fan and Blower Motor, 1/2-1/6 HP, 1 Ph, 60 Hz, 115 V, 1800 RPM, 56Z Frame, OPEN



Regal and Century are trademarks of Regal Rexnord Corporation or one of its affiliated companies.
©2023 Regal Rexnord Corporation, All Rights Reserved. MC017097E





Nameplate Specifications

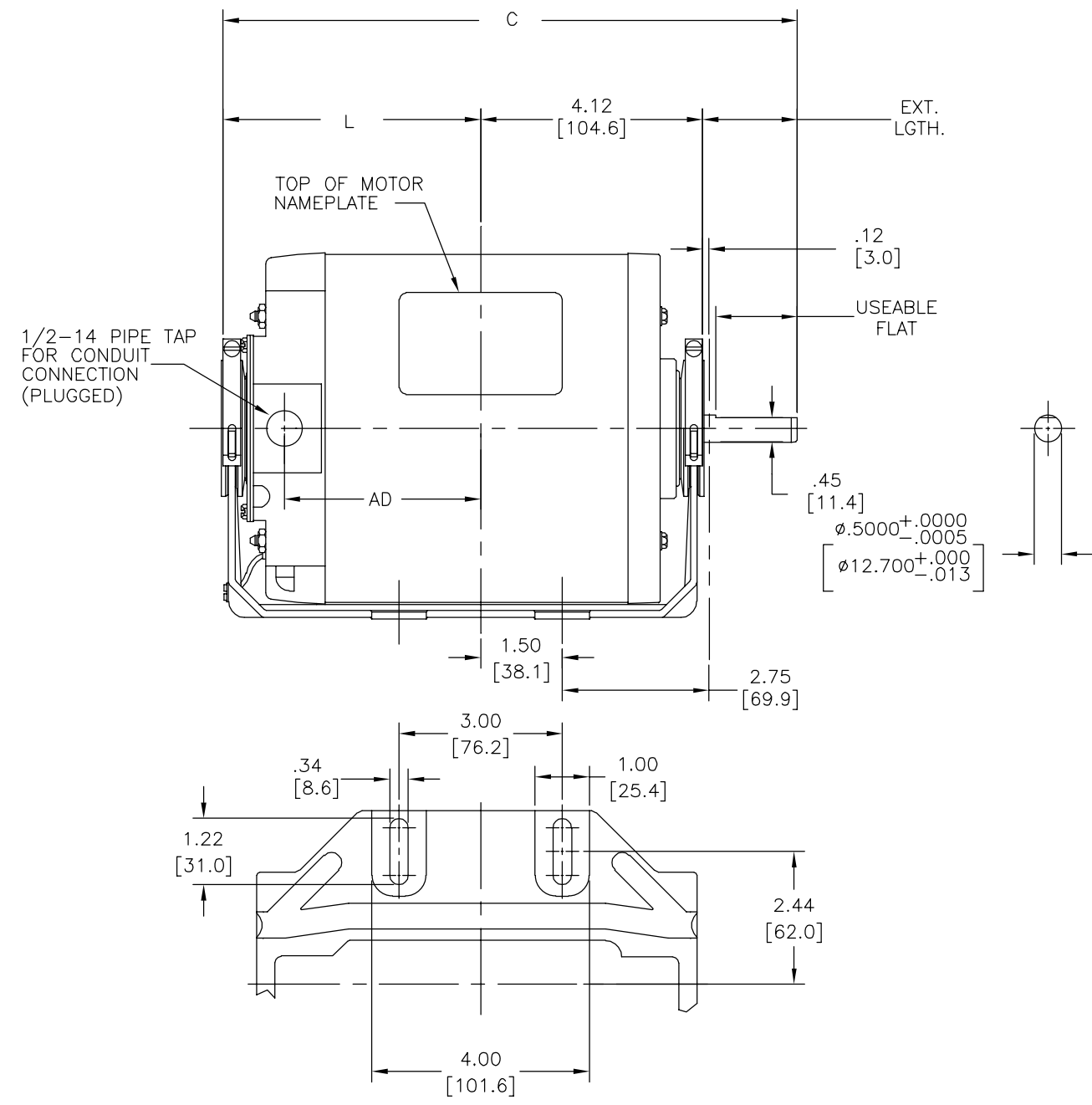
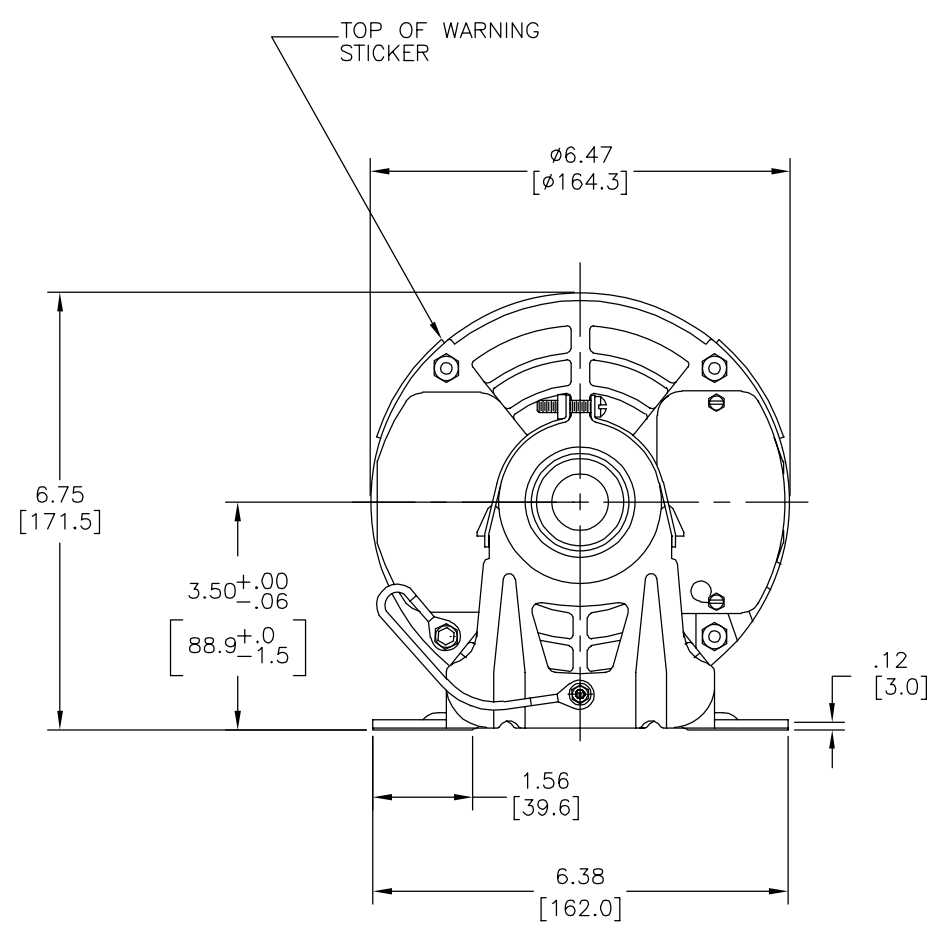
Output HP	1/2-1/6 Hp	Output KW	0.37 kW
Frequency	60 Hz	Voltage	115 V
Current	8.8-4.0 A	Speed	1725/1140 rpm
Service Factor	1.35	Phase	1
Duty	Continuous	Insulation Class	B
Frame	56Z	Enclosure	Open Enclosed
Thermal Protection	Automatic	Ambient Temperature	40 °C
UL	Recognized	CSA	Y
CE	N	Number of Speeds	1

Technical Specifications

Electrical Type	Split Phase	Starting Method	Across The Line
Poles	4/6	Rotation	Reversible
Mounting	Resilient Base	Drive End Bearing	Sleeve
Opp Drive End Bearing	Sleeve	Frame Material	Rolled Steel
Shaft Type	Flat	Overall Length	9.97 in
Frame Length	5.19 in	Shaft Diameter	0.500 in
Shaft Extension	1.42 in		
Connection Drawing	620005-038A	Outline Drawing	SGF2054AV2-S01

This is an uncontrolled document once printed or downloaded and is subject to change without notice. Date Created:01/30/2023

REV	ECO	REV BY	DATE	APPD	DATE
B	0025386	L. BERNAL	04-13-2012	D. BALDERRAMA	04-13-2012



MODEL	FRAME LENGTH (REF)	C	L	AD	EXT. LGTH.	USABLE FLAT
SGF2054AV2	5.062 [128.57]	9.97 [253.2]	4.22 [107.2]	3.08 [78.2]	1.62 [41.1]	1.42 [36.1]

GEOMETRIC CHARACTERISTICS & SYMBOLS
 □ FLATNESS
 — STRAIGHTNESS
 ∠ ANGULARITY
 ⊥ PERPENDICULARITY (SQUARENESS)
 ∥ PARALLELISM
 ○ ROUNDNESS (CIRCULARITY)
 ⌀ CYLINDRICITY
 △ PROFILE OF ANY SURFACE
 ∩ PROFILE OF ANY LINE
 ↗ RUNOUT
 ⊕ TRUE POSITION
 ⊙ CONCENTRICITY
 = SYMMETRY
 ASME Y14.5M 1994

UNLESS OTHERWISE SPECIFIED DIM. TOLERANCES ARE AS FOLLOWS:
 INCH X XX XXX XXXX
 ±.1 ±.02 ±.005 ±.0005
 mm ±0.5 ±0.13 ±0.013
 ANG. ±.50 DEG
 REMOVE BURRS & BREAK SHARP EDGES:
 INCH .003-.015 mm 0.1-0.4
 CORNER FILLETS TO:
 INCH .020 mm 0.5
 MACHINE SURFACES:
 INCH 125 mm 3.2
 METRIC DIMS. SHOWN IN [BRACKETS]

DR BY: JH 04-15-2009
 APPD: LH 04-15-2009
 THIRD ANGLE PROJECTION
 EDS DATE 11-11-2011
 FORMAT REV G
 CONFIDENTIAL: THIS DRAWING AND ITS INFORMATION ARE THE EXCLUSIVE AND CONFIDENTIAL PROPERTY OF REGAL-BELOIT CORPORATION AND ARE NOT TO BE DISCLOSED, DUPLICATED, DISTRIBUTED OR OTHERWISE USED WITHOUT THE WRITTEN CONSENT OF REGAL-BELOIT CORPORATION. -ALL RIGHTS RESERVED.

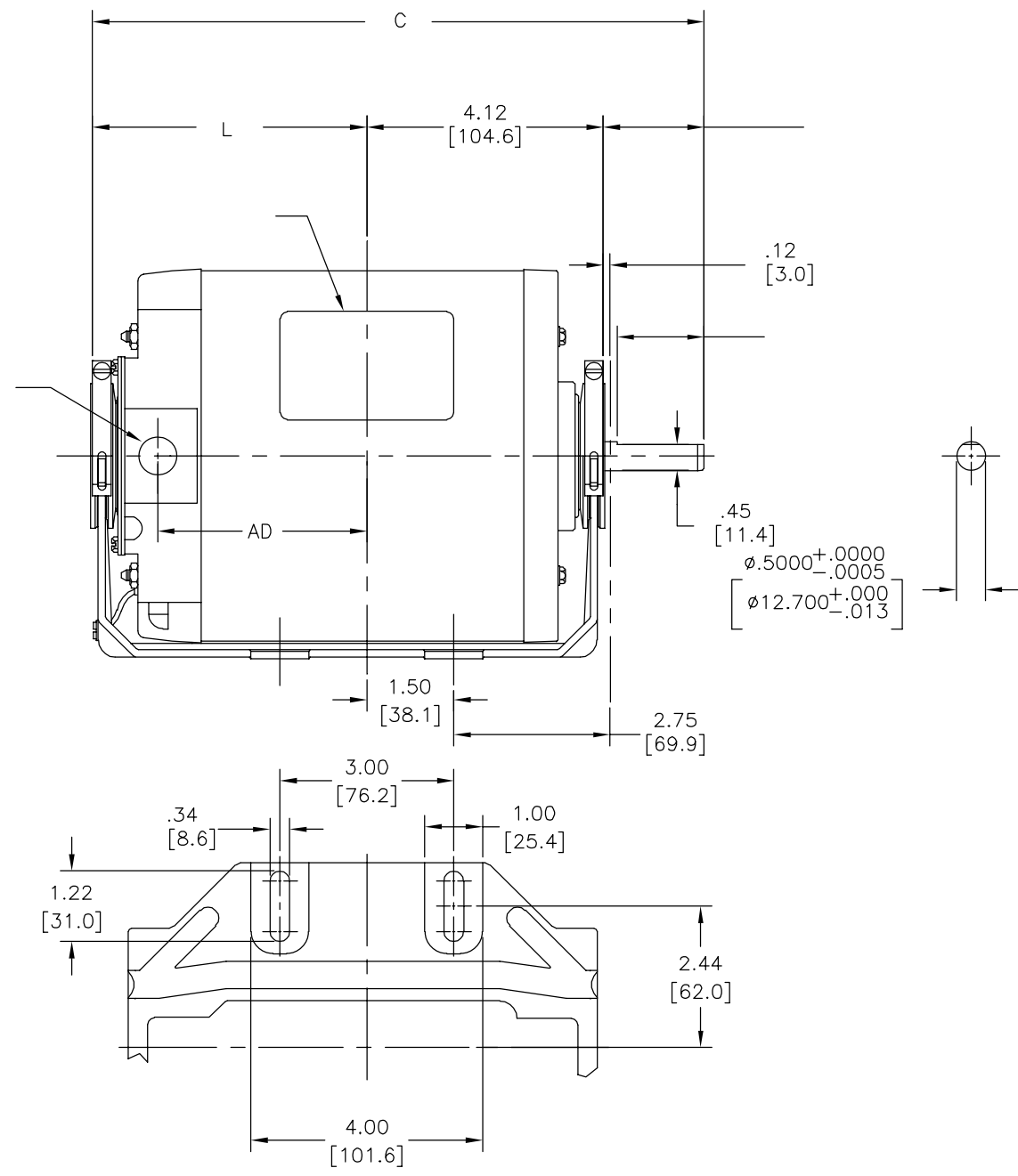
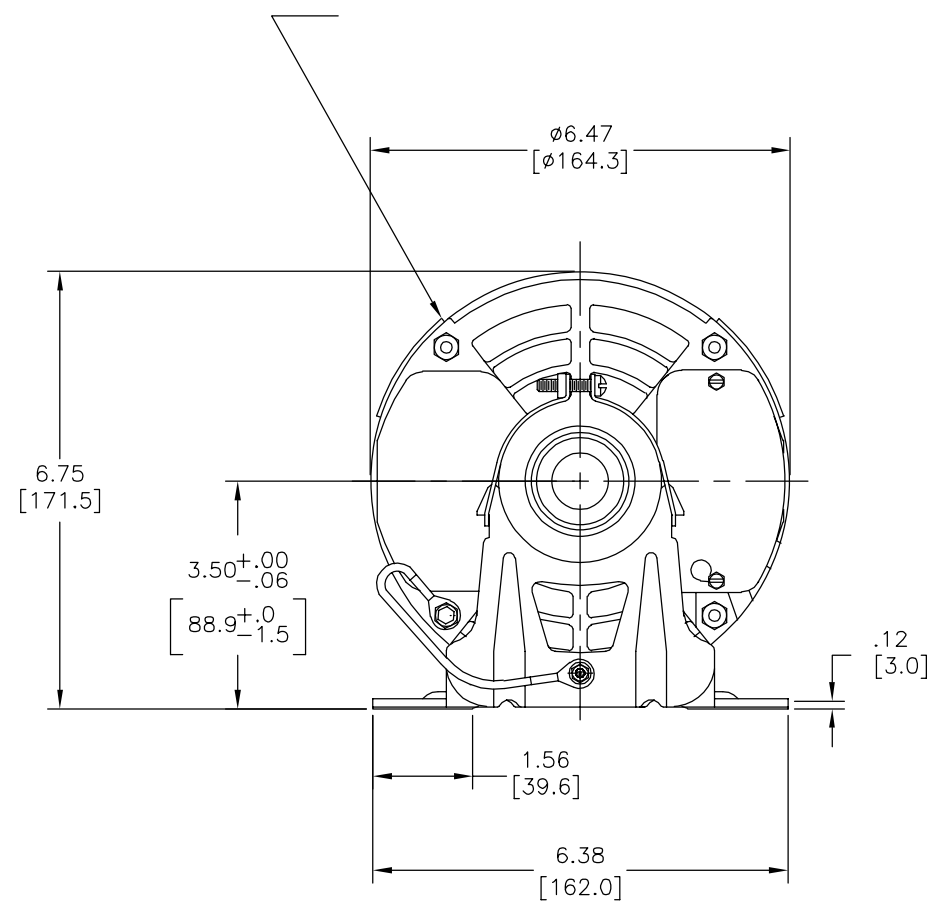
REGAL-BELOIT CORPORATION

DESCRIPTION: **OUTLINE**

SIZE: C DWG NO: **SGF2054AV2**

SCALE: NONE SHEET: 1

REVISION:	ECO	REVISADO POR:	FECHA:	APROBADO POR:	FECHA:
B	0025386	L. BERNAL	04-13-2012	D. BALDERRAMA	04-13-2012



		C	L	AD		
SGF2054AV2	5.062[128.57]	9.97[253.2]	4.22[107.2]	3.08[78.2]	1.62[41.1]	1.42[36.1]

CARACTERISTICAS DE GEOMETRIA Y SIMBOLOS
 ▽ PLANICIDAD
 — RECTITUD
 < ANGULARIDAD
 ⊥ PERPENDICULARIDAD (A ESCUADRA)
 // PARALELISMO
 ○ REDONDEZ (CIRCULARIDAD)
 ∅ CILINDRICIDAD
 △ PERFIL DE CUALQUIER SUPERFICIE
 ▲ PERFIL DE CUALQUIER LINEA
 ↗ VARIACION
 ⊕ POSICION REAL
 ⊙ CONCENTRICIDAD
 = SIMETRIA
 ASME Y14.5M 1994

A MENOS QUE SE ESPECIFIQUE DE OTRA MANERA, LAS TOLERANCIAS DE LAS DIMS; SON LAS SIGUIENTES:
 PULG ±.1 ±.02 ±.005 ±.0005
 mm ±0.5 ±0.13 ±0.013
 ANG. ± 50 GRADOS
 ELIMINAR REBABAS Y ORILLAS FILOSAS DEL BORDE.
 PULG .003-.015 mm 0.1-0.4
 FILETEAR ESQUINA: PULG .020 mm 0.5
 MAQUINAR SUPERFICIES
 PULG 125 mm .32
 DIMS METRICAS MOSTRADAS [PARENTESIS]

DIBUJADO POR: JH 04-15-2009
 APROBADO POR: LH 04-15-2009
 TERCER ANGULO DE PROYECCION
 CONFIDENCIAL: ESTE DIBUJO Y SU INFORMACION SON PROPIEDAD DE USO EXCLUSIVO Y CONFIDENCIAL DE REGAL-BELOIT CORPORATION. Y NO DEBERAN SER REVELADOS, DUPLICADOS, DISTRIBUIDOS O USARSE DE OTRA MANERA SIN EL CONSENTIMIENTO ESCRITO DE REGAL-BELOIT CORPORATION. -TODOS LOS DERECHOS RESERVADOS.

REGAL-BELOIT CORPORATION

DESCRIPCION: **OUTLINE**

TAMAÑO: C NUMERO DE DIBUJO: **SGF2054AV2**

ESCALA: NONE HOJA: 1

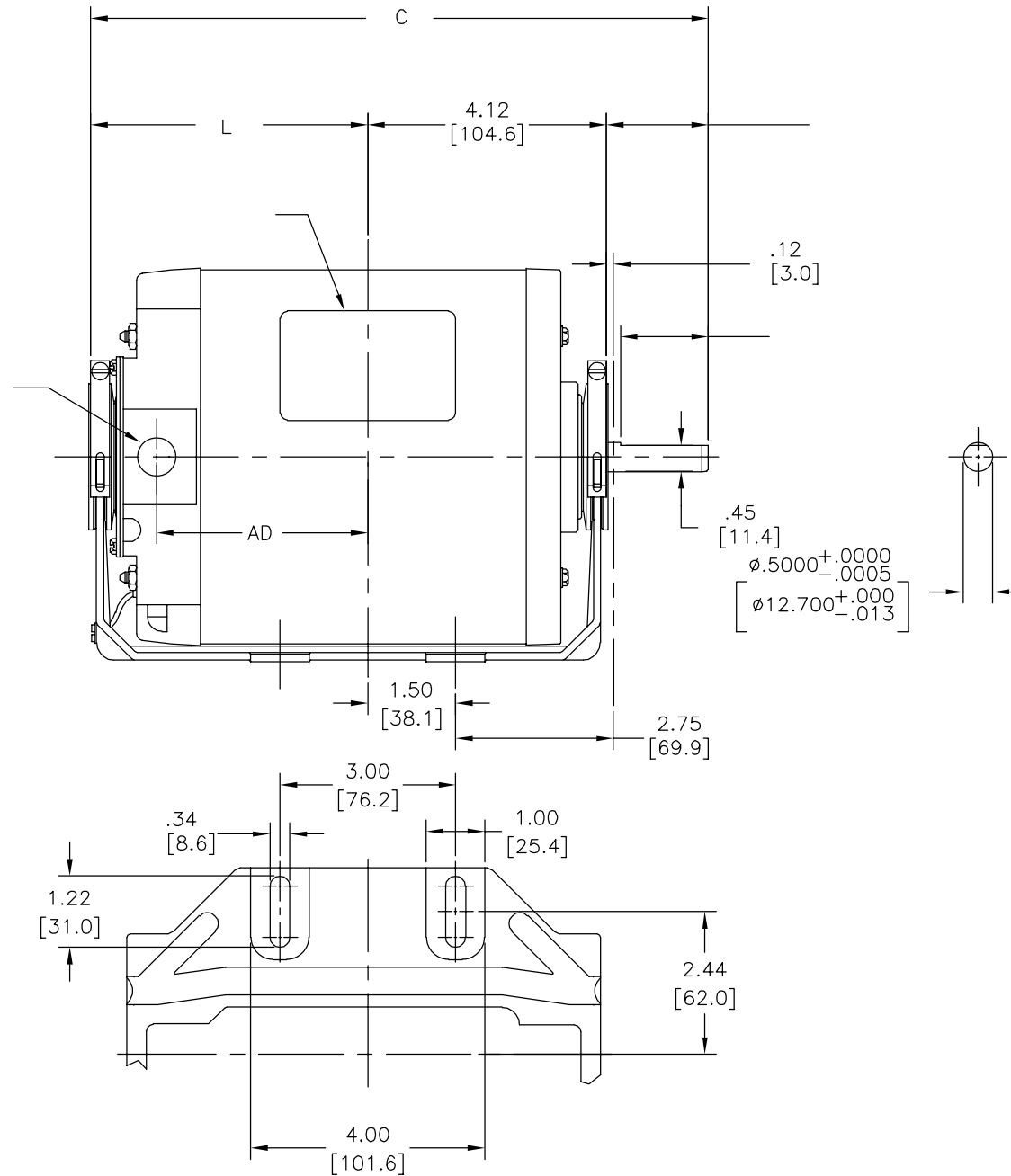
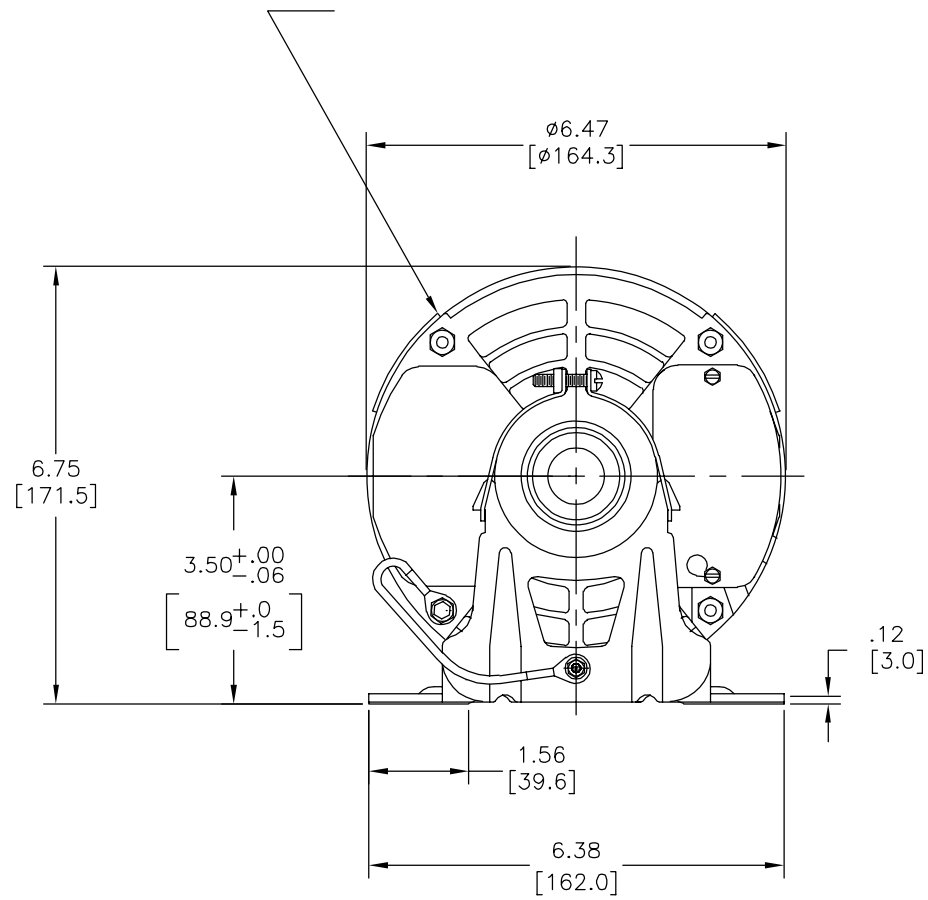
4

3

2

1

版本	ECO	编制	日期	批准	日期
B	0025386	L. BERNAL	04-13-2012	D. BALDERRAMA	04-13-2012



		C	L	AD		
SGF2054AV2	5.062 [128.57]	9.97 [253.2]	4.22 [107.2]	3.08 [78.2]	1.62 [41.1]	1.42 [36.1]

- 形位公差
- 平面度
 - 直线度
 - ∠ 倾斜度
 - ⊥ 垂直度
 - ∥ 平行度
 - 圆度
 - ⊘ 圆柱度
 - △ 面轮廓度
 - ⌒ 线轮廓度
 - ↗ 圆跳动
 - ⊕ 位置度
 - ⊙ 同轴度
 - ≡ 对称度

ASME Y14.5M 1994

除另有注明
尺寸公差如下:

英寸 X XX XXX XXXX
 毫米 ±.1 ±.02 ±.005 ±.0005
 毫米 ±0.5 ±0.13 ±0.013

角度 ±.50 度
 清理毛刺和尖棱
 英寸 .003-.015 毫米 0.1-0.4

内圆角
 英寸 .020 毫米 0.5

表面粗糙度
 英制 125 米制 3.2

米制尺寸显示在 []

绘图:	JH	04-15-2009
批准:	LH	04-15-2009
第三角投影		图纸格式发布日期 11-11-2011 图纸格式版本 G
机密: 本图纸及相关信息所有权归REGAL-BELOIT CORPORATION. 未经REGAL-BELOIT CORPORATION书面授权, 不得泄露、复制、传播或作其他用途。—版权所有		



名称	OUTLINE	
图幅	C	图号
比例	NONE	图号
		SGF2054AV2
		页号 1

4

3

2

1